

PRODUCT FEATURES

- High-tech display head that combines simplicity with practical technology
- Precise light beam that directs light where you want it
- Available in four on-trend finishes, aged brass (not available on two-circuit monorail), Antique Bronze, Satin Nickel and white (not available on monorail or two-circuit)
- Compatible with the Monorail and Monopoint systems by Tech Lighting
- Lamping options are compatible with most dimmers
- Protected by a 5-year warranty. Please visit the "About Us" Page on techlighting.com for more for warranty details



LAMPING

Includes 12 volt 8 watt, 750.2 total delivered lumens, 3000K, LED module. Dimmable with Low-Voltage electronic or magnetic dimmer (based on transformer). Provided with 20°, 40° and 60° beams spread lenses. The inrush current is reduced so that the Tellium LED head can be loaded to a standard 70% of the transformer's maximum rated wattage. Additionally, the dimming performance will be more stable and have a lower minimum dim level than the existing integrated LED heads.



ORDERING INFORMATION

| 700 | SYSTEM | TLML | LENGTH (A) | FINISH | LAMP |
|-----|--------------|------|------------|------------------|--|
| | FJ FREEJACK | 3 | 3" | R AGED BRASS | -LED930 INTEGRATED LED 90 CRI 3000K 120V (T24) |
| | MP MONOPOINT | 6 | 6" | Z ANTIQUE BRONZE | |
| | MO MONORAIL | 12 | 12" | S SATIN NICKEL | |
| | | | | W WHITE | |

Note. MP includes 4" Round Flush Canopy. Aged Brass is not available for Two-Circuit Monorail. For custom stem lengths, please contact the Quotes Department.

700 _____ TLML _____

JOB NAME _____

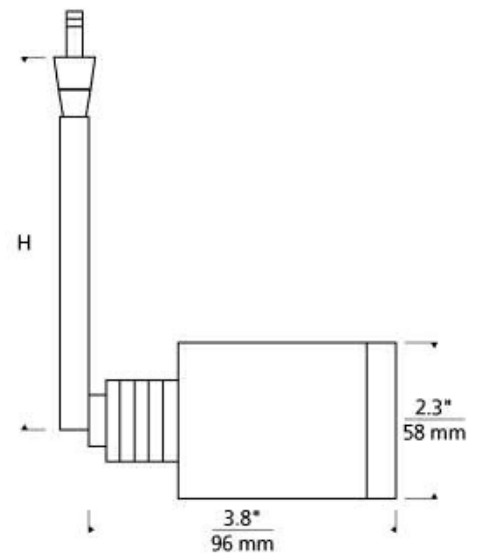
NOTES _____



TELLIUM LED HEAD

SPECIFICATIONS

| | |
|-------------------------------|------------|
| HARDWARE MATERIAL | Metal |
| SHADE MATERIAL | Aluminum |
| NET WEIGHT | 1 lbs |
| HEIGHT | 2.3in |
| WIDTH | 3.8in |
| LENGTH | 2.3in |
| BEAM SPREAD | |
| UP LIGHT / DOWN LIGHT / BOTH? | |
| WET LISTED | |
| DAMP LISTED | |
| DRY LISTED | Yes |
| MIN. HANGING HEIGHT | 12in |
| MAX HANGING HEIGHT | 12in |
| TOTAL CORD LENGTH | |
| SLOPED CEILING ADAPTABLE? | N/A |
| GENERAL LISTING | ETL Listed |
| INCLUDES | |



LAMPING SPECIFICATIONS

| | LED LAMP | INTEGRATED LED | NON LED | NO LAMP |
|-----------------------|----------|----------------|---------|---------|
| DELIVERED LUMENS | | 750 | | |
| WATTS | | 8 | | |
| MAX WATTAGE PER BULB | | 8W | | |
| INPUT VOLTAGE | | 12V 120V | | |
| DIMMING TYPE* | | ELV, TRIAC | | |
| CCT | | 3000K | | |
| CRI | | 90 CRI | | |
| LED LIFETIME | | | | |
| L70 | | >50000 | | |
| AVERAGE BULB HOURS | | | | |
| FIELD SERVICEABLE LED | | | | |
| LAMP BASE | | Integrated LED | | |
| LAMP SHAPE | | Integrated LED | | |
| LAMP INCLUDED? | | True | | |
| WARRANTY** | | 5 Years | | |

* Dimming information available at www.techlighting.com/Downloads#dimming

** Visit techlighting.com for specific warranty limitations and details.

T20 / T24 / JA8 INFORMATION

| | Integrated LED | Replacement LED Lamp | No Lamp * |
|---|----------------|----------------------|-----------|
| This product can be used to comply with California Building Energy Efficiency Standards 2016 Title 24 Part 6 / JA8. | Yes | | |
| This product can be used to comply with California Appliance Efficiency Standards 2016 Title 20 and may be shipped to and sold in California. | N/A | | |

* If a light fixture or component does not include a lamp or light source, it is the responsibility of the customer to select a lamp that meets the T24 and T20 requirements.

