

# TELLIUM HEAD

## PRODUCT FEATURES

- High-tech display head that combines simplicity with practical technology
- Precise light beam that directs light where you want it
- Available in two on-trend finishes, Antique Bronze and Satin Nickel
- Compatible with the Monorail and Monopoint systems by Tech Lighting
- Lamping options are compatible with most dimmers
- Protected by a 1-year warranty. please visit the "About Us" Page on [techlighting.com](http://techlighting.com) for more for warranty details



## LAMPING

Lamp not Included. Rated for 50 watt max. halogen MR16 see pg. 591 of the Tech FL catalog for LED MR16 lamping options. Dimmable with Low-Voltage electronic or magnetic dimmer (based on transformer).



## ORDERING INFORMATION

700	SYSTEM	TLM	LENGTH (A)	FINISH	LAMP
	FJ FREEJACK		03 3"	R AGED BRASS	NO LAMP
	MP MONOPOINT		06 6"	Z ANTIQUE BRONZE	NO LAMP
	MO MONORAIL		12 12"	S SATIN NICKEL	
				W WHITE	

Note. MP includes 4" Round Flush Canopy. For custom stem lengths, please contact the Quotes Department. White finish option ships with Satin Nickel system connector.

700 \_\_\_\_\_ TLM \_\_\_\_\_

JOB NAME \_\_\_\_\_

NOTES \_\_\_\_\_

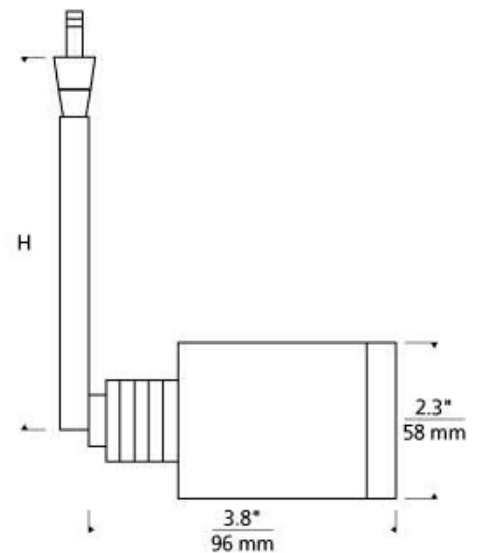
\_\_\_\_\_

\_\_\_\_\_



## SPECIFICATIONS

HARDWARE MATERIAL	Metal
SHADE MATERIAL	Metal
NET WEIGHT	1.03 lbs
HEIGHT	2.3in
WIDTH	3.8in
LENGTH	2.3in
BEAM SPREAD	
UP LIGHT / DOWN LIGHT / BOTH?	
WET LISTED	
DAMP LISTED	
DRY LISTED	Yes
MIN. HANGING HEIGHT	3in
MAX HANGING HEIGHT	3in
TOTAL CORD LENGTH	
SLOPED CEILING ADAPTABLE?	No
GENERAL LISTING	ETL Listed
INCLUDES	



## LAMPING SPECIFICATIONS

	LED LAMP	INTEGRATED LED	NON LED	NO LAMP
DELIVERED LUMENS				
WATTS			50	
MAX WATTAGE PER BULB			50W	
INPUT VOLTAGE			12V 120V	
DIMMING TYPE*			ELV	
CCT				
CRI				
LED LIFETIME				
L70				
AVERAGE BULB HOURS				
FIELD SERVICEABLE LED				
LAMP BASE			Bi-Pin	
LAMP SHAPE			A21	
LAMP INCLUDED?				
WARRANTY**			1 Year	

\* Dimming information available at [www.techlighting.com/Downloads#dimming](http://www.techlighting.com/Downloads#dimming)

\*\* Visit [techlighting.com](http://techlighting.com) for specific warranty limitations and details.

## T20 / T24 / JA8 INFORMATION

	Integrated LED	Replacement LED Lamp	No Lamp *
This product can be used to comply with California Building Energy Efficiency Standards 2016 <b>Title 24</b> Part 6 / <b>JA8</b> .			N/A
This product can be used to comply with California Appliance Efficiency Standards 2016 <b>Title 20</b> and may be shipped to and sold in California.			N/A

\* If a light fixture or component does not include a lamp or light source, it is the responsibility of the customer to select a lamp that meets the T24 and T20 requirements.

