

SPECTICA 6 CHANDELIER

PRODUCT FEATURES

- Entirely modern take on the traditional chandelier
- Conveniently adjustable look with a swiveling canopy, adjustable arms and rotating head
- Available in Matte Black
- Fully dimmable unidirectional Integrated LED light source
- Ideal for dining room settings, foyers and conference rooms
- 5 year warranty. Visit techlighting.com for more warranty details



LAMPING

LED includes (6) 7.2 watt, 46.6 total watts, 2771 total delivered lumens 90 CRI 3000K LED module. Dimmable with most LED compatible ELV and TRIAC dimmers. 277V compatible with 0-10V dimmers. Includes three 12in stems, two 6in stems and one 3in stem. Can be installed on a sloped ceiling up to 45°.

Matte Black



Matte Black

ORDERING INFORMATION

700SPCT	COLOR	FINISH	LAMP
	ACRYLIC	B MATTE BLACK	-LED930 LED 90 CRI 3000K 120V -LED930-277 LED 90 CRI 3000K 277V

700SPCT _____

JOB NAME _____

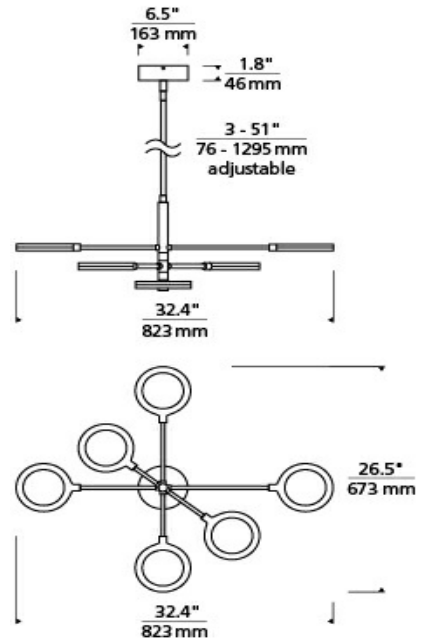
NOTES _____



SPECTICA 6 CHANDELIER

SPECIFICATIONS

HARDWARE MATERIAL	Metal
SHADE MATERIAL	Aluminum
NET WEIGHT	7.5 lbs
HEIGHT	10.4in
WIDTH	26.5in
LENGTH	32.4in
UP LIGHT / DOWN LIGHT / BOTH?	
WET LISTED	
DAMP LISTED	Yes
DRY LISTED	
MIN. HANGING HEIGHT	26.68in
MAX HANGING HEIGHT	85.2in
TOTAL CORD LENGTH	
TOTAL STEM LENGTH	Up to 51in
STEM QTY	6
SLOPED CEILING ADAPTABLE?	Yes 45° Max
GENERAL LISTING	ETL Listed
INCLUDES	



LAMPING SPECIFICATIONS

	LED LAMP	INTEGRATED LED	NON LED	NO LAMP
DELIVERED LUMENS		2771		
WATTS		46.6		
MAX WATTAGE PER BULB		46.6W		
INPUT VOLTAGE		120V 277V		
DIMMING TYPE*		Acrylic : ELV, TRIAC Acrylic : 0-10V		
CCT		3000K		
CRI		90 CRI		
LED LIFETIME				
L70		>50000		
AVERAGE BULB HOURS				
FIELD SERVICEABLE LED				
LAMP BASE		Integrated LED		
LAMP SHAPE		Integrated LED		
LAMP INCLUDED?		True		
WARRANTY**		5 Years		

* Dimming information available at www.techlighting.com/Downloads#dimming

** Visit techlighting.com for specific warranty limitations and details.

T20 / T24 / JA8 INFORMATION

	Integrated LED	Replacement LED Lamp	No Lamp *
This product can be used to comply with California Building Energy Efficiency Standards 2016 Title 24 Part 6 / JA8.	Yes		
This product can be used to comply with California Appliance Efficiency Standards 2016 Title 20 and may be shipped to and sold in California.	N/A		

* If a light fixture or component does not include a lamp or light source, it is the responsibility of the customer to select a lamp that meets the T24 and T20 requirements.

