

Sedona Medium and Large Pendant

700TDSNGP, 700TSDNLP 1.0



PENDANTS

GENERAL PRODUCT INFORMATION:

This product is suitable for damp locations.

These fixtures are intended to be installed utilizing NEC compliant junction boxes.

This product can be dimmed with most ELV or TRIAC dimmers.

This instruction shows a typical installation.



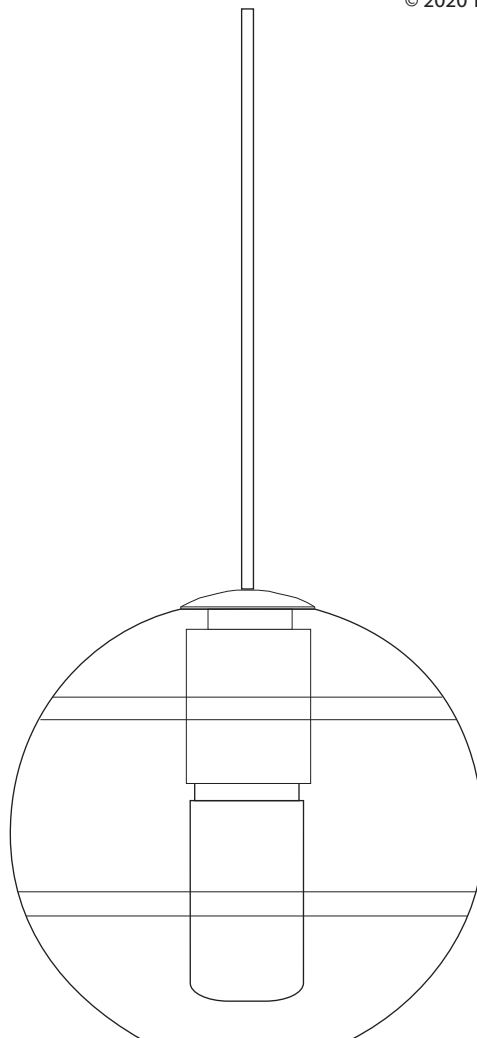
CAUTION - RISK OF FIRE
This product must be installed in accordance with the applicable installation code by a person familiar with the construction and operation of the product and the hazards involved.
Use minimum 90°c supply conductors.



7400 Linder Ave, Skokie, IL 60077
847.410.4400

www.techlighting.com

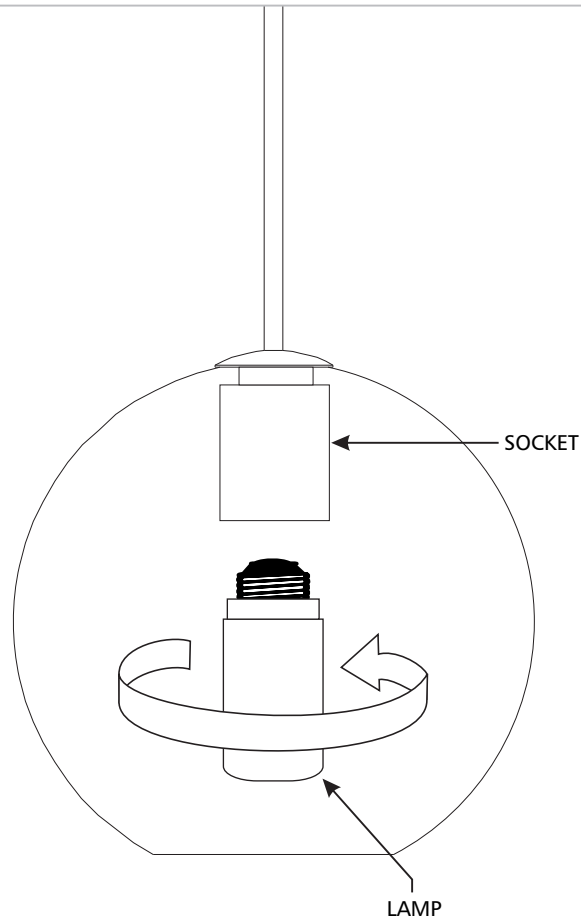
© 2020 Tech Lighting, L.L.C. All rights reserved.
Visual Comfort Group



SAVE THESE INSTRUCTIONS!

Install or Replace Lamp

1A



CAUTION: To reduce the risk of a burn or electric shock during re-lamping, disconnect the power to the fixture.

- 1 Follow the instructions included with the canopy for fixture installation to the junction box.
- 2 Remove the old lamp and replace with new one. Refer to the label on the socket for Max Wattage Information.

Note: If glass hangs crooked, slightly loosen top cap and adjust as needed once the fixture is hung, then re-tighten.