

PRODUCT FEATURES

- Modern asymmetric design style
- Stamped metal shade for a chic contemporary finish
- Complementary Rhonan Pendant and Rhonan Grande also available from Tech Lighting
- Ideal for commercial and residential lighting applications
- Ships with fully-dimmable integrated LED lamping
- Protected by a 5 year warranty



LAMPING

Includes 34 watt, 1139.2 total delivered lumens, 3000K LED module. Dimmable with low-voltage electronic dimmer. May be wall or ceiling mounted. ADA compliant.

Nightshade Black



White

Nightshade Black

Plated Brass

Nightshade Black
Alt View

To view all available finish options, please visit techlighting.com

ORDERING INFORMATION

700FMRHNS FINISH

- WW** MATTE WHITE / WHITE
- B** NIGHTSHADE BLACK
- BR** PLATED BRASS

LAMP

-LED930 LED 90 CRI 3000K 120V

700FMRHNS _____

JOB NAME _____

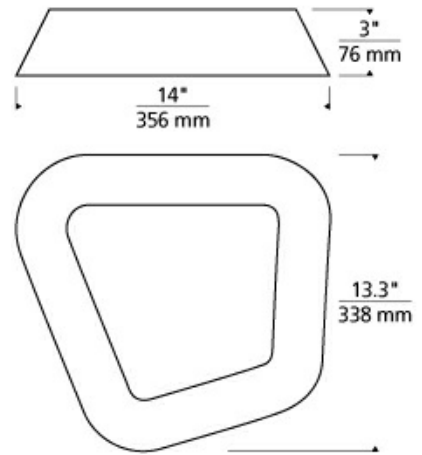
NOTES _____



RHONAN FLUSH MOUNT

SPECIFICATIONS

HARDWARE MATERIAL	Metal
SHADE MATERIAL	Acrylic
NET WEIGHT	6 lbs
HEIGHT	3in
WIDTH	13.3in
LENGTH	14in
UP LIGHT / DOWN LIGHT / BOTH?	
WET LISTED	
DAMP LISTED	Yes
DRY LISTED	
WALL / CEILING MOUNT	
GENERAL LISTING	ETL Listed
INCLUDES	



LAMPING SPECIFICATIONS

	LED LAMP	INTEGRATED LED	NON LED	NO LAMP
DELIVERED LUMENS		1139		
WATTS		34		
MAX WATTAGE PER BULB		34W		
INPUT VOLTAGE		120V		
DIMMING TYPE*		ELV, TRIAC		
CCT		3000K		
CRI		90 CRI		
LED LIFETIME				
L70		>50000		
AVERAGE BULB HOURS				
FIELD SERVICEABLE LED				
LAMP BASE		Integrated LED		
LAMP SHAPE		Integrated LED		
LAMP INCLUDED?		True		
WARRANTY**		5 Years		

*Dimming information available at www.techlighting.com/Downloads#dimming

** Visit techlighting.com for specific warranty limitations and details.

T20 / T24 / JA8 INFORMATION

	Integrated LED	Replacement LED Lamp	No Lamp *
This product can be used to comply with California Building Energy Efficiency Standards 2016 Title 24 Part 6 / JA8 .	No		
This product can be used to comply with California Appliance Efficiency Standards 2016 Title 20 and may be shipped to and sold in California.	N/A		

* If a light fixture or component does not include a lamp or light source, it is the responsibility of the customer to select a lamp that meets the T24 and T20 requirements.

