



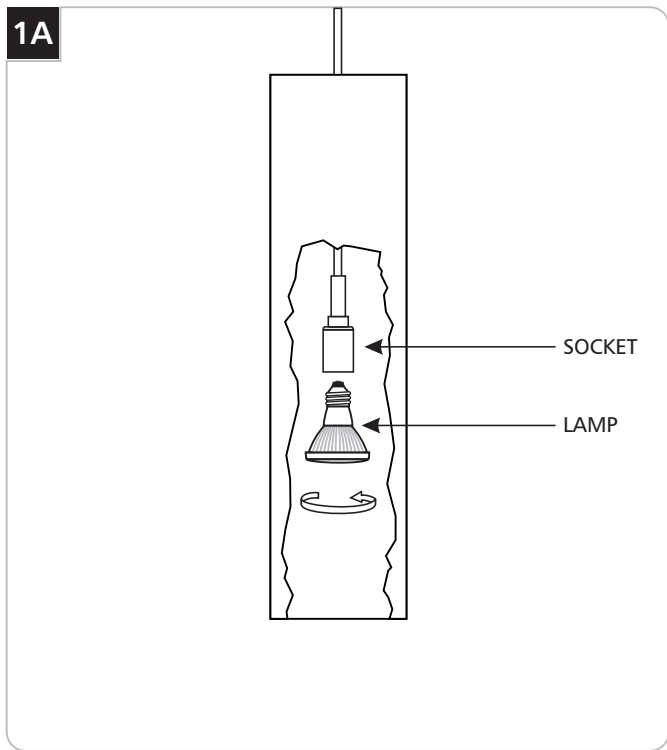
PENDANTS

GENERAL PRODUCT INFORMATION:

This product is suitable for damp locations.



Install the Lamp



CAUTION: To reduce the risk of a burn or electric shock during relamping, disconnect the power to the fixture.

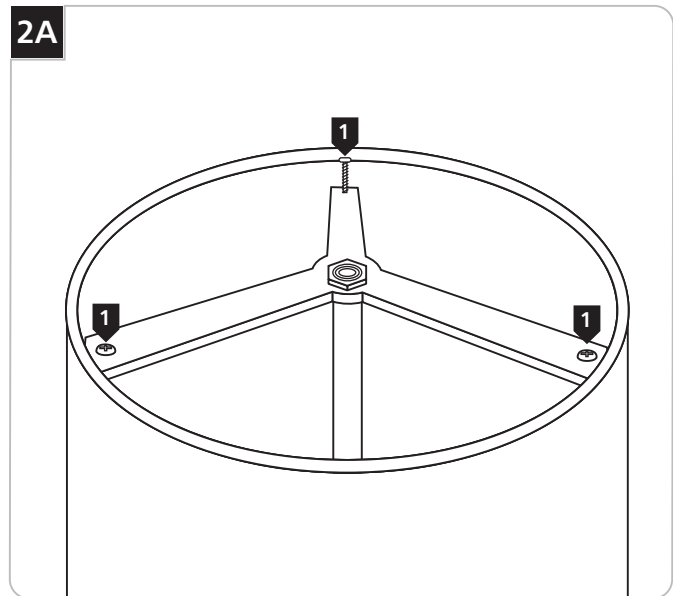
Refer to fixture marking for lamp information.

- 1 Screw the lamp into the socket.



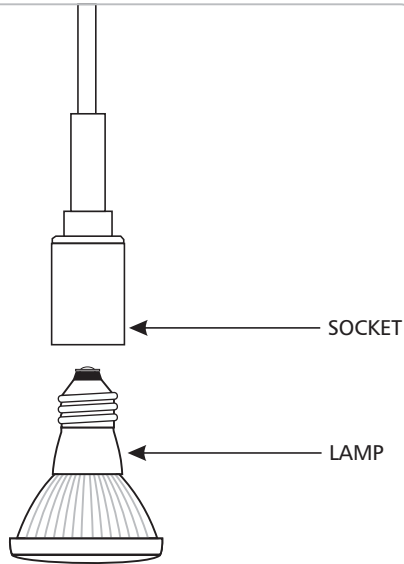
Note: If it is difficult to reach the socket for lamp installation or replacement, follow the optional lamp installation to disassemble the fixture.

Optional Lamp Installation



- 1 Carefully remove the shade by unscrewing the three mounting screws on top of the fixture.

2B



CAUTION: To reduce the risk of a burn or electric shock during relamping, disconnect the power to the fixture.

Refer to fixture marking for lamp information.

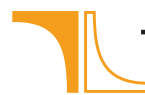
- 2 Screw the lamp base completely into the socket.
- 3 Reinstall the shade by reversing figure 2A.

IMPORTANT SAFETY INSTRUCTIONS

To reduce the risk of fire, electrical shock, exposure to excessive UV radiation, or injury to person:

- Use this fixture indoors only.
- Do not look directly at the lighted lamp.
- Do not remain in light if skin feels warm.
- Risk of fire: Use only the type of lamp and maximum wattage indicated in this instruction manual.
- Never cover the lamp with anything. Never place flammable material close to your fixture.
- Never turn the fixture on and off by connecting and disconnecting the lamp.
- Do not touch the lamp while the fixture is on. This surface may be **HOT**.

SAVE THESE INSTRUCTIONS!



TECH LIGHTING®

7400 Linder Ave, Skokie, IL 60077
847.410.4400

www.techlighting.com

© 2015 Tech Lighting, L.L.C. All rights reserved. The "Tech Lighting" graphic is a registered trademark of Tech Lighting, L.L.C. Tech Lighting reserves the right to change specifications for product improvements without notification.
A Generation Brands Company