

## PRODUCT FEATURES

- Inspired by Mid-Century modern art, the Orbel Wall Sconce features an elongated metal rectangle that supports a frosted sphere of light
- 13" tall and 5" wide
- Available in three modern finishes, Aged Brass, Matte Black and Polished Nickel
- Complete the look with other fixtures in the Orbel Family, such as the Flush Mount, Bath Light and Pendants
- Lamping options are compatible with most ELV and TRIAC dimmers
- Protected by a 1-year warranty, please visit the "About Us" Page on [techlighting.com](http://techlighting.com) for more for warranty details



Aged Brass

## LAMPING

Rated for (1) 5 watt max. G9 Bi-Pin lamp (Not Included). LED includes 5 watt, 319.4 total delivered lumens, 3000K, LED G9 Bi-Pin lamp. Dimmable with most LED compatible ELV and TRIAC dimmers. Mounts up or down.



Aged Brass



Polished Nickel



Matte Black

## ORDERING INFORMATION

| 700WSOBL FINISH   | LAMP  |
|-------------------|---|
| R AGED BRASS      | NO LAMP   |
| B MATTE BLACK     | -LED930 BI-PIN G9 LED 90 CRI 3000K 120V (T20/T24) |
| N POLISHED NICKEL |   |

700WSOBL \_\_\_\_\_

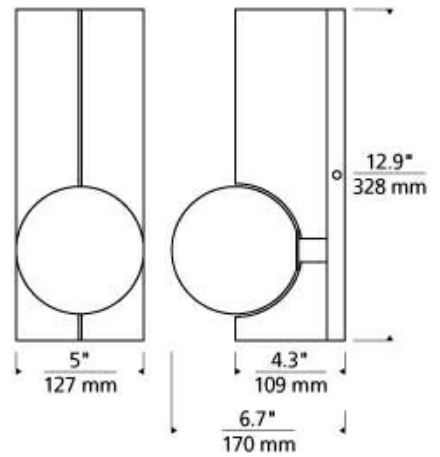
JOB NAME \_\_\_\_\_

NOTES \_\_\_\_\_



## SPECIFICATIONS

|                               |            |
|-------------------------------|------------|
| HARDWARE MATERIAL             | Metal      |
| SHADE MATERIAL                | Glass      |
| NET WEIGHT                    | 3.5 lbs    |
| HEIGHT                        | 12.9in     |
| WIDTH                         | 6.7in      |
| LENGTH                        | 5in        |
| MIN. EXTENSION FROM WALL      | 6.7in      |
| UP LIGHT / DOWN LIGHT / BOTH? |            |
| WET LISTED                    |            |
| DAMP LISTED                   | Yes        |
| DRY LISTED                    |            |
| UP / DOWN                     |            |
| HORIZONTAL / VERTICAL         |            |
| WALL / CEILING MOUNT          |            |
| GENERAL LISTING               | ETL Listed |
| ADA COMPLIANT                 |            |
| INCLUDES                      |            |



## LAMPING SPECIFICATIONS

|                       | LED LAMP   | INTEGRATED LED | NON LED    | NO LAMP |
|-----------------------|------------|----------------|------------|---------|
| DELIVERED LUMENS      | 319.0      |                |            |         |
| WATTS                 | 3.8        |                |            |         |
| MAX WATTAGE PER BULB  | 5W         |                | 5W         |         |
| INPUT VOLTAGE         | 120V       |                | 120V       |         |
| DIMMING TYPE*         | ELV, TRIAC |                | ELV, TRIAC |         |
| CCT                   | 3000K      |                |            |         |
| CRI                   | 90 CRI     |                |            |         |
| LED LIFETIME          |            |                |            |         |
| L70                   | >25000     |                |            |         |
| AVERAGE BULB HOURS    |            |                |            |         |
| FIELD SERVICEABLE LED |            |                |            |         |
| LAMP BASE             | G9         |                | G9         |         |
| LAMP SHAPE            | T4         |                | T4         |         |
| LAMP INCLUDED?        | True       |                | False      |         |
| WARRANTY**            | 1 Year     |                | 1 Year     |         |

\* Dimming information available at [www.techlighting.com/Downloads#dimming](http://www.techlighting.com/Downloads#dimming)

\*\* Visit [techlighting.com](http://techlighting.com) for specific warranty limitations and details.

## T20 / T24 / JA8 INFORMATION

|  | Integrated LED | Replacement LED Lamp | No Lamp * |
|--|----------------|----------------------|-----------|
| This product can be used to comply with California Building Energy Efficiency Standards 2016 <b>Title 24</b> Part 6 / <b>JA8</b> .                   |                | Yes                  | N/A       |
| This product can be used to comply with California Appliance Efficiency Standards 2016 <b>Title 20</b> and may be shipped to and sold in California. |                | Yes                  | N/A       |

\* If a light fixture or component does not include a lamp or light source, it is the responsibility of the customer to select a lamp that meets the T24 and T20 requirements.

