

MILO PENDANT

PRODUCT FEATURES

- Vibrant twist on the early twentieth century factory light
- Moderately scaled ideal for a wide range of lighting applications
- Available in three invigorating color combinations
- Ideal for kitchen island task lighting, hallway lighting and dining room lighting
- Fully dimmable lamping options create the desired ambiance in your unique space
- Protected by a 5-year warranty if LED lamping option is chosen. Protected by a 1-year warranty if non-LED lamping option is chosen



White/Champagne



Gray/Chartreuse

White/Champagne

White/Orange

LAMPING

Rated for 100 watt max. E26 medium Base lamp (Lamp Not Included). LED includes one E26 medium base A19 9.5 watt 556 delivered lumen 90 CRI 2700K LED lamp. LED dimmable with most LED compatible ELV or Triac dimmers. Includes 12' of field-cuttable cord.

ORDERING INFORMATION

700TDMLO COLOR

- GC GRAY OUTSIDE/CHARTREUSE INSIDE
- WM WHITE OUTSIDE/CHAMPAGNE INSIDE
- WO WHITE OUTSIDE/ORANGE INSIDE

LAMP

- NO LAMP
- LED927 A19 LED 90 CRI 2700K 120V (T20/T24)

700TDMLO _____

JOB NAME _____

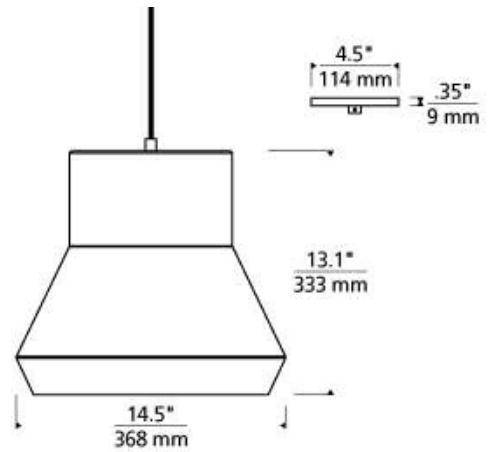
NOTES _____



MILO PENDANT

SPECIFICATIONS

HARDWARE MATERIAL	Metal
SHADE MATERIAL	
NET WEIGHT	7 lbs
HEIGHT	13.1in
WIDTH	14.5in
LENGTH	14.5in
UP LIGHT / DOWN LIGHT / BOTH?	
WET LISTED	
DAMP LISTED	Yes
DRY LISTED	
MIN. HANGING HEIGHT	20in
MAX HANGING HEIGHT	157in
TOTAL CORD LENGTH	144in
TOTAL STEM LENGTH	
STEM QTY	
SLOPED CEILING ADAPTABLE?	Yes 45° Max
GENERAL LISTING	ETL Listed
INCLUDES	



LAMPING SPECIFICATIONS

	LED LAMP	INTEGRATED LED	NON LED	NO LAMP
DELIVERED LUMENS	400			
WATTS	9.5			
MAX WATTAGE PER BULB	100W		100W	
INPUT VOLTAGE	120V		120V	
DIMMING TYPE*	ELV, TRIAC		ELV, TRIAC	
CCT	2700K			
CRI	90 CRI			
LED LIFETIME				
L70	>25000			
AVERAGE BULB HOURS				
FIELD SERVICEABLE LED				
LAMP BASE	E26 Medium Base		E26 Medium Base	
LAMP SHAPE	A19		A19	
LAMP INCLUDED?	True		False	
WARRANTY**	1 Year		1 Year	

*Dimming information available at www.techlighting.com/Downloads#dimming

** Visit techlighting.com for specific warranty limitations and details.

T20 / T24 / JA8 INFORMATION

	Integrated LED	Replacement LED Lamp	No Lamp *
This product can be used to comply with California Building Energy Efficiency Standards 2016 Title 24 Part 6 / JA8 .		Yes	N/A
This product can be used to comply with California Appliance Efficiency Standards 2016 Title 20 and may be shipped to and sold in California.		Yes	N/A

* If a light fixture or component does not include a lamp or light source, it is the responsibility of the customer to select a lamp that meets the T24 and T20 requirements.

