

MELROSE II PENDANT

PRODUCT FEATURES

- Graceful design and cone shaped inner diffuser
- European artisanal crafted shade
- As each piece is artisan made, slight variations are an inherent part of this hand-blown glass fixture
- Ideal for kitchen islands, bedrooms and home offices
- Fully dimmable lamping options to create the desired ambiance
- Protected by a 1-year warranty, please visit www.techlighting.com for details



LAMPING

Includes with 35 watt halogen bi-pin or 5.1 watt, 300 delivered lumen, 3000K, replaceable Tech Lighting LED module and six feet of field-cuttable cable. Dimmable with low-voltage electronic or magnetic dimmer (based on the transformer).

Smoke



Clear

Smoke

ORDERING INFORMATION

700	SYSTEM	MLP	COLOR	FINISH	LAMP
	FJ FREEJACK		C CLEAR	Z ANTIQUE BRONZE	12 VOLT HALOGEN (T20)
	MP MONOPOINT		K SMOKE	C CHROME	-24 24 VOLT HALOGEN
	MO MONORAIL			S SATIN NICKEL	-LEDS930 12 VOLT LED 90 CRI 3000K (T20/T24)
					-24 24 VOLT HALOGEN

Note: MP includes 4" Round Flush Canopy.
 Chrome not available on Monorail or Two-Circuit Monorail.

700 _____ MLP _____

JOB NAME _____

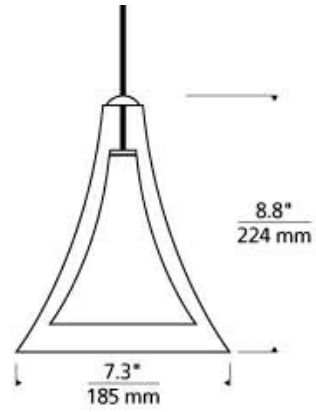
NOTES _____



MELROSE II PENDANT

SPECIFICATIONS

HARDWARE MATERIAL	Metal
SHADE MATERIAL	Glass
NET WEIGHT	1 lbs
HEIGHT	8.8in
WIDTH	7.3in
LENGTH	7.3in
UP LIGHT / DOWN LIGHT / BOTH?	
WET LISTED	
DAMP LISTED	
DRY LISTED	
MIN. HANGING HEIGHT	15.3in
MAX HANGING HEIGHT	81.3in
SLOPED CEILING ADAPTABLE?	Yes 45° Max
GENERAL LISTING	ETL Listed
INCLUDES	



LAMPING SPECIFICATIONS

	LED LAMP	INTEGRATED LED	NON LED	NO LAMP
DELIVERED LUMENS	330		500	
WATTS	6		50	
MAX WATTAGE PER BULB	50W		50W	
INPUT VOLTAGE	12V 120V		12V 120V	
DIMMING TYPE*	ELV, MLV		ELV	
CCT	3000K		3000K	
CRI	90 CRI		100 CRI	
LED LIFETIME				
L70	>30000		2000	
AVERAGE BULB HOURS			2000	
FIELD SERVICEABLE LED				
LAMP BASE	GY 6.35		GY 6.35	
LAMP SHAPE	T4		T4	
LAMP INCLUDED?	True		True	
WARRANTY**	1 Year		1 Year	

* Dimming information available at www.techlighting.com/Downloads#dimming

** Visit techlighting.com for specific warranty limitations and details.

T20 / T24 / JA8 INFORMATION

	Integrated LED	Replacement LED Lamp	No Lamp *
This product can be used to comply with California Building Energy Efficiency Standards 2016 Title 24 Part 6 / JA8 .		Yes	
This product can be used to comply with California Appliance Efficiency Standards 2016 Title 20 and may be shipped to and sold in California.		Yes	

* If a light fixture or component does not include a lamp or light source, it is the responsibility of the customer to select a lamp that meets the T24 and T20 requirements.

