

MANETTE LARGE FLUSH MOUNT

PRODUCT FEATURES

- Features a sleek glass shade that's suspended from a handsome die-cast metal band
- Even generous light output free of hot spots and offensive glare
- Cleverly concealed LED light source
- Complementary line-voltage and low-voltage pendants
- Ideal for hallways, bathrooms and bedrooms
- 5 year warranty with LED lamping



LAMPING

The shade illuminates with an even glow free of hot spots found with traditional light sources. Includes 17 watt, 808 delivered lumens, 80 CRI 3000K LED module. Dimmable with most LED compatible ELV or Triac dimmers. Ceiling mount only.

Transparent Smoke



Transparent Smoke

ORDERING INFORMATION

700FMMAN SHAPE OR SIZE	COLOR	FINISH	LAMP
L LARGE	TK TRANSPARENT SMOKE	S SATIN NICKEL	-LED LED 80 CRI 3000K 120V -LED277 LED 80 CRI 3000K 277V

700FMMAN _____

JOB NAME _____

NOTES _____

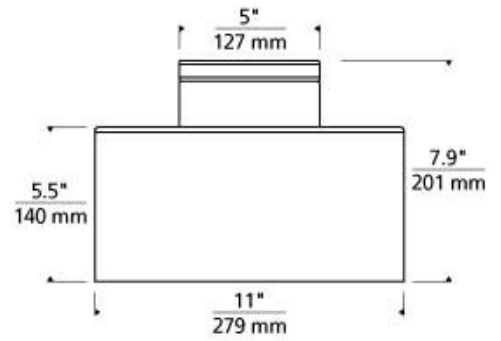


MANETTE LARGE FLUSH MOUNT



SPECIFICATIONS

HARDWARE MATERIAL	Metal
SHADE MATERIAL	Glass
NET WEIGHT	6 lbs
HEIGHT	7.9in
WIDTH	11in
LENGTH	11in
UP LIGHT / DOWN LIGHT / BOTH?	
WET LISTED	
DAMP LISTED	Yes
DRY LISTED	
WALL / CEILING MOUNT	
GENERAL LISTING	ETL Listed
INCLUDES	



LAMPING SPECIFICATIONS

	LED LAMP	INTEGRATED LED	NON LED	NO LAMP
DELIVERED LUMENS		808		
WATTS		17		
MAX WATTAGE PER BULB		17W		
INPUT VOLTAGE		120V 277V		
DIMMING TYPE*		Transparent Smoke : ELV, TRIAC Transparent Smoke : 0-10V		
CCT		3000K		
CRI		90 CRI		
LED LIFETIME		>50000		
AVERAGE BULB HOURS				
FIELD SERVICEABLE LED				
LAMP BASE		Integrated LED		
LAMP SHAPE		Integrated LED		
LAMP INCLUDED?		True		
WARRANTY**		5 Years		

* Dimming information available at www.techlighting.com/Downloads#dimming

** Visit techlighting.com for specific warranty limitations and details.

T20 / T24 / JA8 INFORMATION

	Integrated LED	Replacement LED Lamp	No Lamp *
This product can be used to comply with California Building Energy Efficiency Standards 2016 Title 24 Part 6 / JA8 .	No		
This product can be used to comply with California Appliance Efficiency Standards 2016 Title 20 and may be shipped to and sold in California.	N/A		

* If a light fixture or component does not include a lamp or light source, it is the responsibility of the customer to select a lamp that meets the T24 and T20 requirements.

