

## PRODUCT FEATURES

- Sleek, minimalist bath bar design with frosted acrylic diffuser and cleverly hidden hardware which ensures a clean look
- High performance, energy efficient integrated LED light source with choice of 2,700K or 3,000K Color Temp and 90 CRI
- Fully dimmable with most ELV dimmers to create just the right atmosphere
- Damp rated for use in covered, damp areas like bathrooms
- Protected by a 5-year warranty; please go to [www.lblighting.com](http://www.lblighting.com) for warranty details
- Ideal for commercial use since ADA compliant and available with 277v lamping



## LAMPING

LED includes 23.3 watt 1676 delivered lumens 90 CRI 3000K LED module. Dimmable with a low-voltage electronic dimmer. Mounts vertically or horizontally. ADA compliant. 120v or 277v.

Satin Nickel



Chrome

Satin Nickel

## ORDERING INFORMATION

700BCLUF	SHAPE OR SIZE	LENGTH (A)	FINISH	LAMP
	S SQUARE	24 24"	C CHROME	-LED930 INTEGRATED LED 90 CRI 3000K 120V
			S SATIN NICKEL	-LED930-277 INTEGRATED LED 90 CRI 3000K 277V

700BCLUF \_\_\_\_\_

JOB NAME \_\_\_\_\_

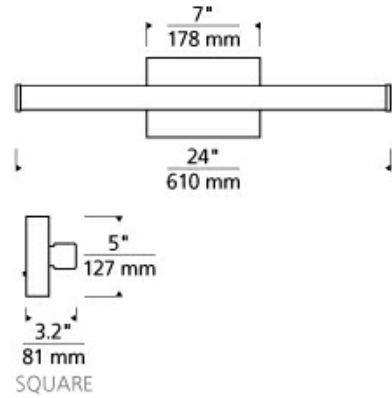
NOTES \_\_\_\_\_



# LUFE SQUARE 24 BATH

## SPECIFICATIONS

HARDWARE MATERIAL	Metal
SHADE MATERIAL	Acrylic
NET WEIGHT	2 lbs
HEIGHT	5in
WIDTH	3.2in
LENGTH	24in
WET LISTED	
DAMP LISTED	Yes
DRY LISTED	
GENERAL LISTING	ETL Listed
INCLUDES	



## LAMPING SPECIFICATIONS

	LED LAMP	INTEGRATED LED	NON LED	NO LAMP
DELIVERED LUMENS		1676		
WATTS		23.3		
MAX WATTAGE PER BULB		23.3W		
INPUT VOLTAGE		120V 277V		
DIMMING TYPE*		ELV, TRIAC 0-10V		
CCT		3000K		
CRI		90 CRI		
LED LIFETIME		>50000		
AVERAGE BULB HOURS				
FIELD SERVICEABLE LED				
LAMP BASE		Integrated LED		
LAMP SHAPE		Integrated LED		
LAMP INCLUDED?		True		
WARRANTY**		5 Years		

\* Dimming information available at [www.techlighting.com/Downloads#dimming](http://www.techlighting.com/Downloads#dimming)

\*\* Visit [techlighting.com](http://techlighting.com) for specific warranty limitations and details.

## T20 / T24 / JA8 INFORMATION

	Integrated LED	Replacement LED Lamp	No Lamp *
This product can be used to comply with California Building Energy Efficiency Standards 2016 <b>Title 24</b> Part 6 / <b>JA8</b> .	No		
This product can be used to comply with California Appliance Efficiency Standards 2016 <b>Title 20</b> and may be shipped to and sold in California.	N/A		

\* If a light fixture or component does not include a lamp or light source, it is the responsibility of the customer to select a lamp that meets the T24 and T20 requirements.

