

# Linger 12-Light Abstract Chandelier

700LNG12A\_ 1.1



# TECH LIGHTING®

## SUSPENSION

### GENERAL PRODUCT INFORMATION:

This product is suitable for damp locations.

These fixtures are intended to be installed utilizing NEC compliant junction boxes.

This product can be dimmed with most ELV or TRIAC dimmers.

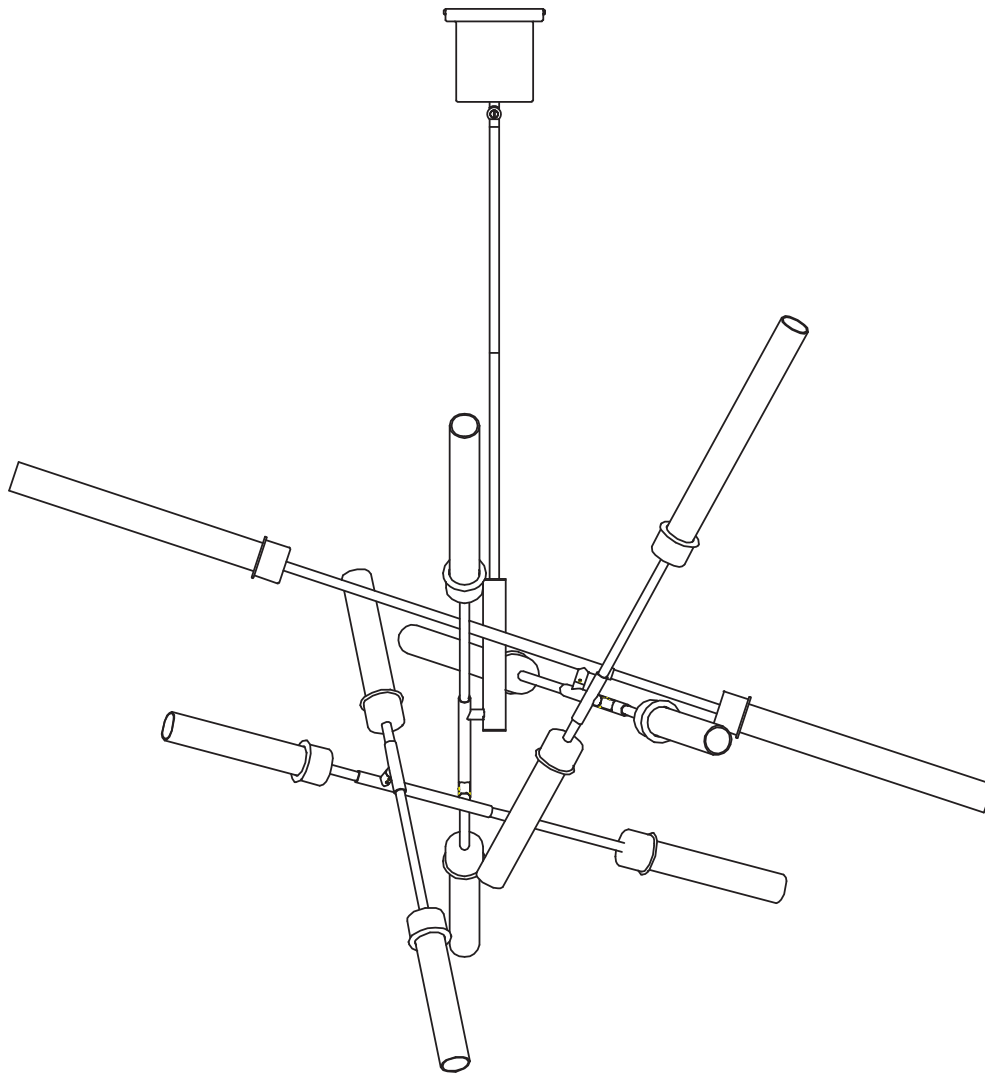
This instruction shows a typical installation.



**CAUTION - RISK OF FIRE**  
This product must be installed in accordance with the applicable installation code by a person familiar with the construction and operation of the product and the hazards involved.  
**Use minimum 90°C supply conductors.**

**Two Person Installation Recommended.**

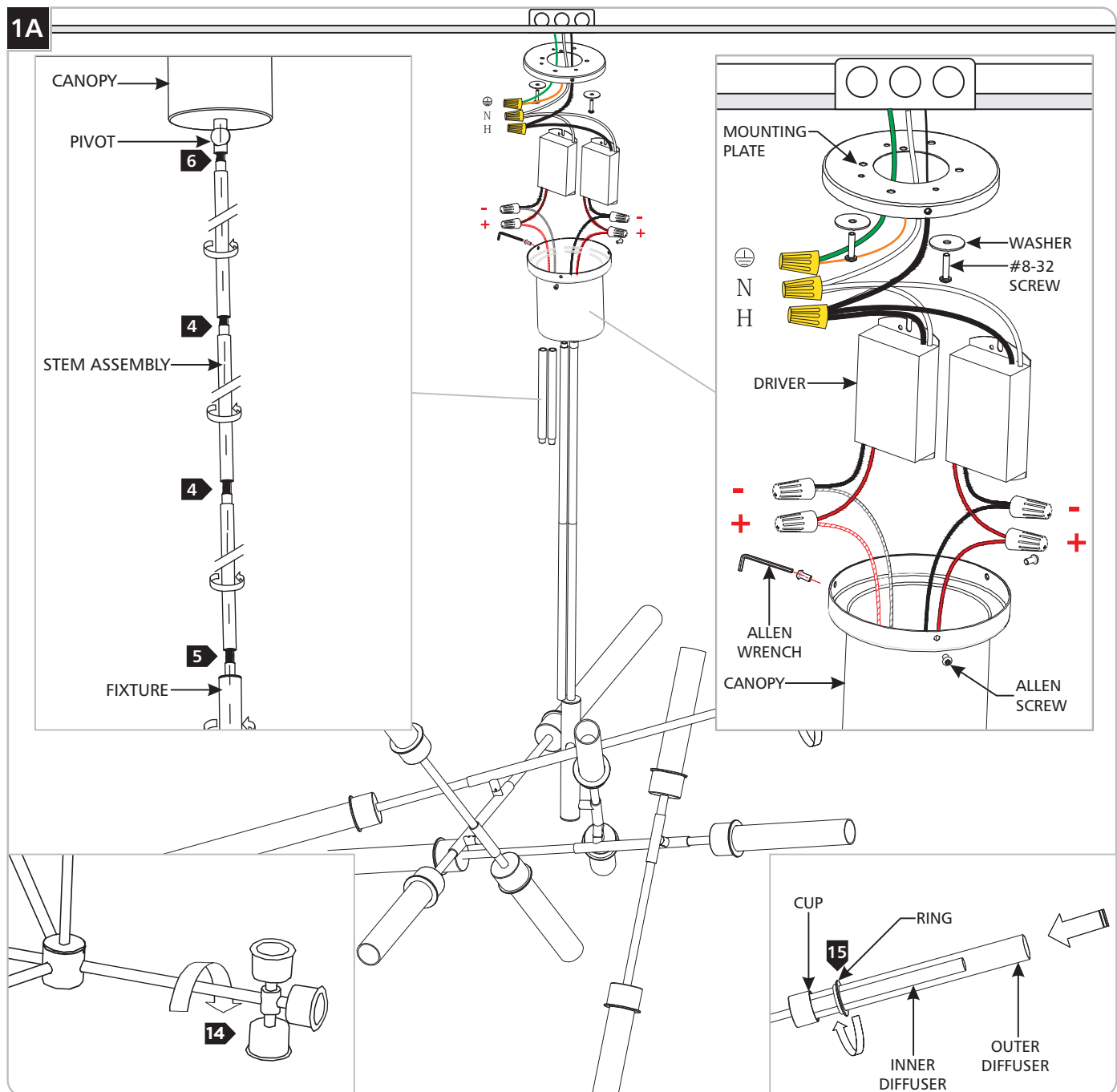
**SAVE THESE INSTRUCTIONS!**



7400 Linder Ave., Skokie, IL 60077  
T 847.410.4400 | F 847.410.4500  
www.techlighting.com

# Install the Fixture

1A



- 1 Remove all the Allen screws using the provided Allen Wrench.
- 2 Remove the mounting plate and drivers from the canopy.
- 3 Slide the provided #8-32 screws through the washers and secure the mounting plate to the electrical box with the #8-32 screws.
- 4 Determine the desired height of the fixture using the provided stems and assemble them by screwing them together.
- 5 Feed the fixture wires through the stem assembly, then screw the stem assembly to the top of the fixture.
- 6 Feed the fixture wires through the pivot and canopy, then screw the pivot onto the stem assembly.
- 7 Connect black wire of driver 1 to solid black fixture wire and the black wire of driver 2 to striped black fixture wire with a wire nut.
- 8 Connect red wire of driver 1 to a solid red fixture wire and red wire of driver 2 to a striped red fixture wire with a wire nut.
- 9 Connect the fixture to a suitable ground in accordance with local electrical codes.
- 10 Connect the white driver wires to the neutral power line wire with a wire nut.
- 11 Connect the black driver wires to the hot power line wire with a wire nut.
- 12 For 277V Only: If using 0-10V dimming, connect the purple and gray wires to a compatible dimmer. If not using 0-10V dimming, cap off the purple and gray wires.
- 13 Neatly place the drivers, all wires, and wire nut connections inside the canopy, align the canopy holes with the mounting plate holes, and secure the canopy in place by tightening the Allen screws using the provided Allen Wrench.
- 14 Rotate the fixture arms so they are in the desired position and tighten the screws to hold them in place.
- 15 Insert the inner diffuser into the cup followed by the outer diffuser, then slide the ring over the outer diffuser and screw it into the cup to secure in place. Repeat for remaining diffusers.