

PowerJack Multi-Port Canopy

700PJLD7_

1.1

T~TRAK

POWER JACK CANOPIES

GENERAL PRODUCT INFORMATION:



This product is suitable for damp locations.

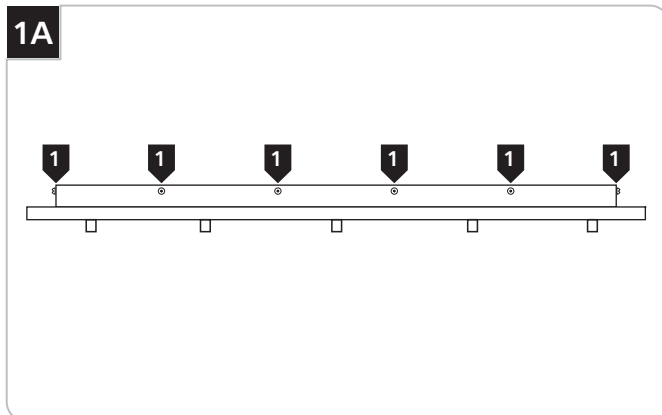
IMPORTANT! If the canopy is wood, do not install any head or pendant closer than 12 inches to this canopy. Heat from the lamp may damage the wood.



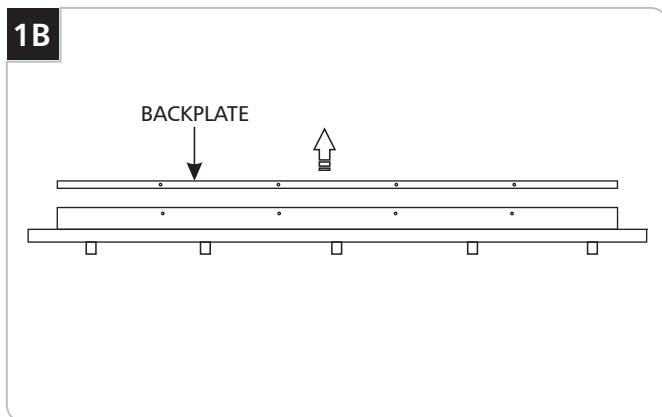
CAUTION — RISK OF FIRE

This product requires installation by a qualified electrician. Before installing be sure to read all instructions and **TURN OFF POWER TO THE ELECTRICAL BOX.**

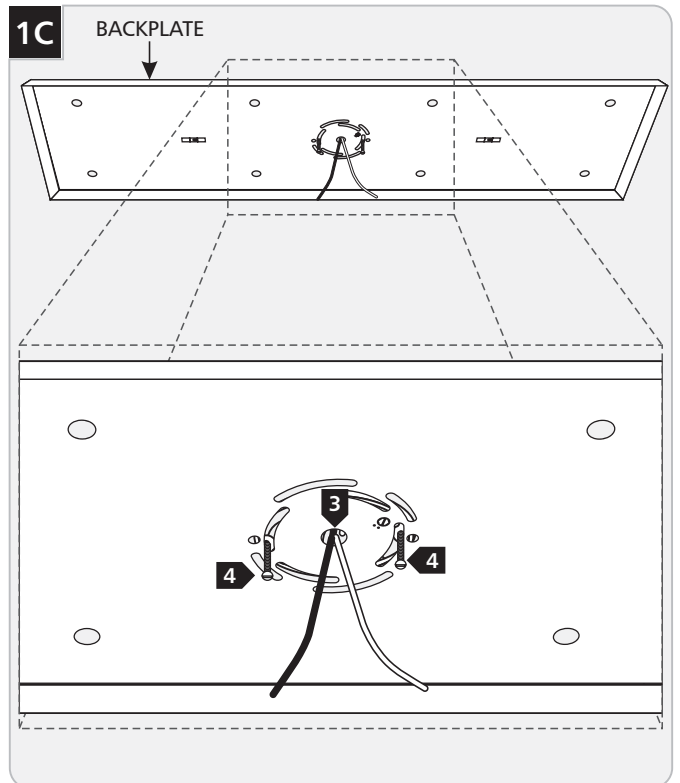
Install the Backplate



1 Remove all ten (10) button head screws around the chandelier canopy.



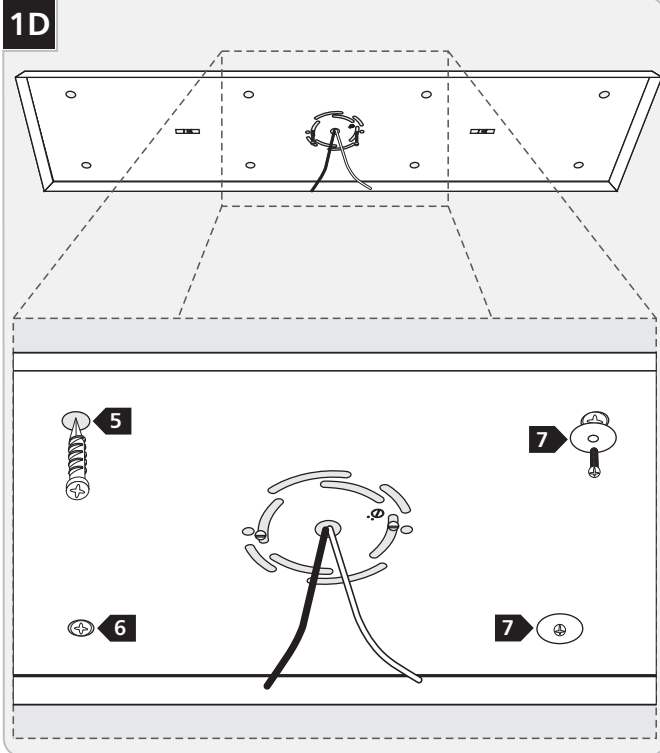
2 Lift the backplate out of the canopy.



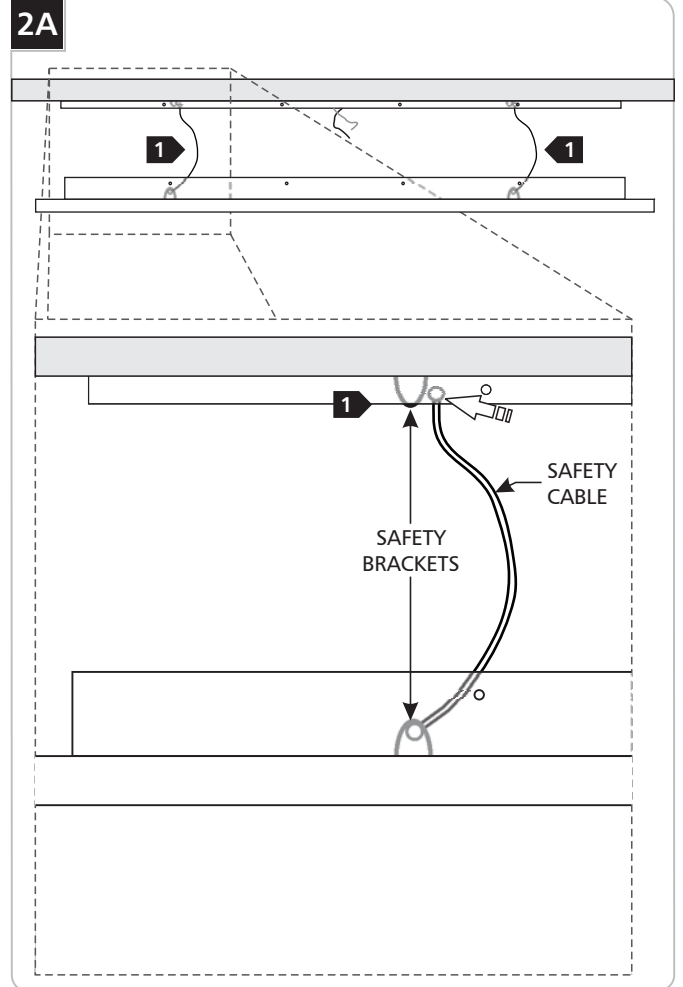
3 Feed the power line wires through the hole in the middle of the backplate.

4 Mount the backplate to the electrical box with the two long #8-32 screws provided.

Install the Canopy

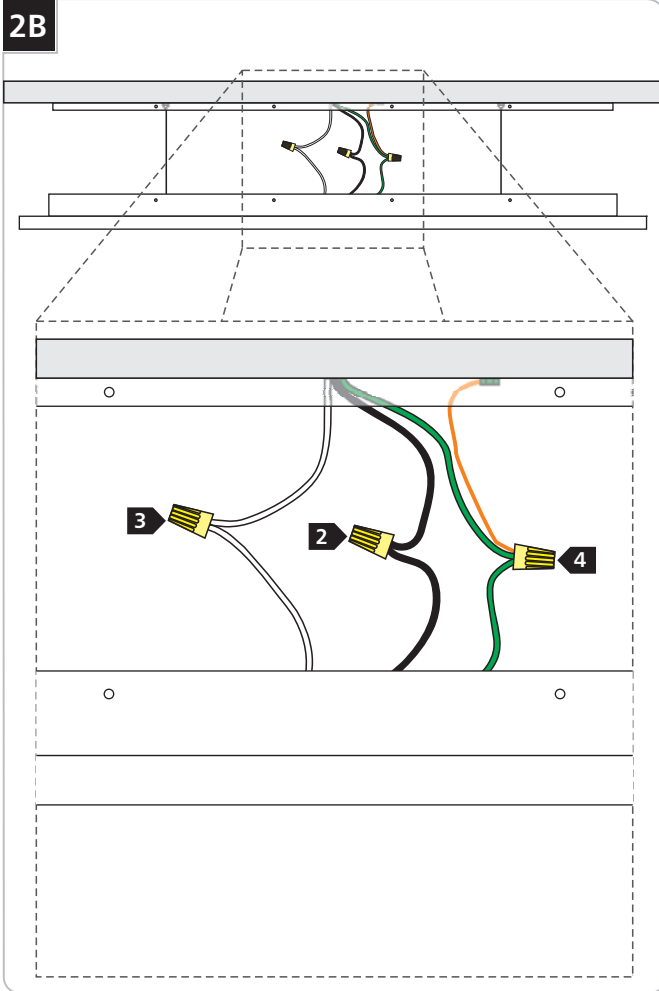


- 5** Line up an anchor with the center of a backplate hole and push the anchor in up to the threads.
- 6** Screw the anchor the rest of the way in with a screwdriver.
- 7** Secure the backplate to the anchors with the screws and washers provided.

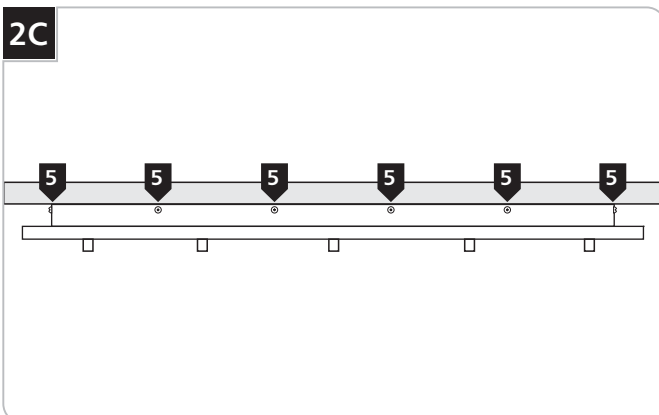


- 1** Hook a safety cable through the safety brackets on each end of the canopy and backplate.

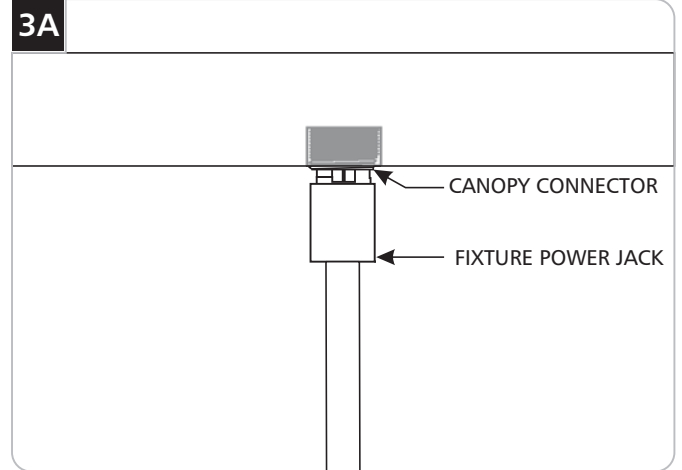
Install the Power Jack Fixtures



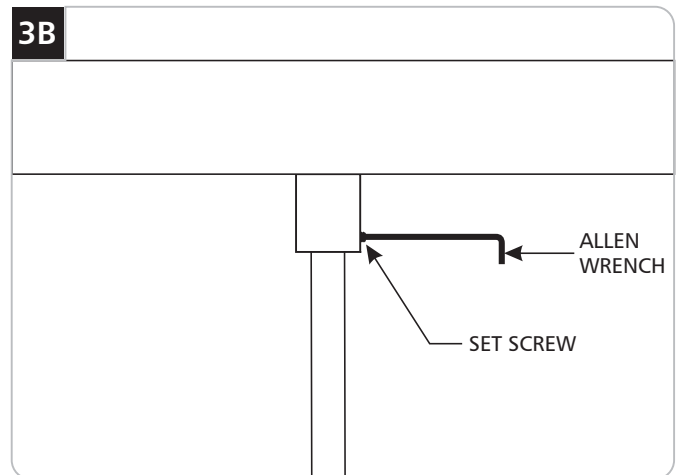
- 2 Connect the black fixture wire to the hot power line wire with a wire nut.
- 3 Connect the white fixture wire to the neutral power line wire with a wire nut.
- 4 Connect the canopy to a suitable ground in accordance with local electrical codes.



- 5 Line up the canopy to the backplate and install all ten (10) button head screws.



- 1 Line up the fixture Power Jack with the canopy connector.
- 2 Screw the Power Jack tightly onto the canopy connector.



- 3 **Optional (heads only):** To lock the fixture head in a permanent position, tighten the set screw on the fixture Power Jack housing with the provided Allen wrench. This feature is not available on pendants.

SAVE THESE INSTRUCTIONS!

T~TRAK

a brand of **TECH LIGHTING**

7400 Linder Ave, Skokie, IL 60077

847.410.4400

www.ttraklighting.com

© 2012 Tech Lighting, L.L.C. All rights reserved. The "T~trak" graphic is a registered trademark of T~trak™. T~trak™ reserves the right to change specifications for product improvements without notification.

A Generation Brands Company