

Knox Linear Suspension (LED)

700LSKNOX_-LED 1.0



CEILING

GENERAL PRODUCT INFORMATION:



This product is suitable for damp locations.

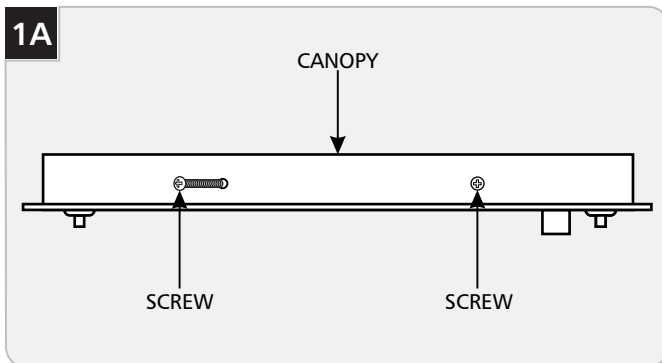
This product can mount to either a 4" square electrical box with round plaster ring or an octagon electrical box.

CAUTION—RISK OF FIRE

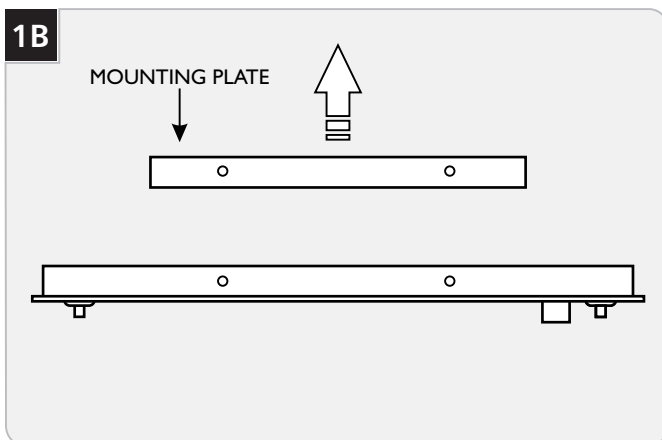
This product requires installation by a qualified electrician. Before installing be sure to read all instructions and **TURN OFF POWER TO THE ELECTRICAL BOX.**



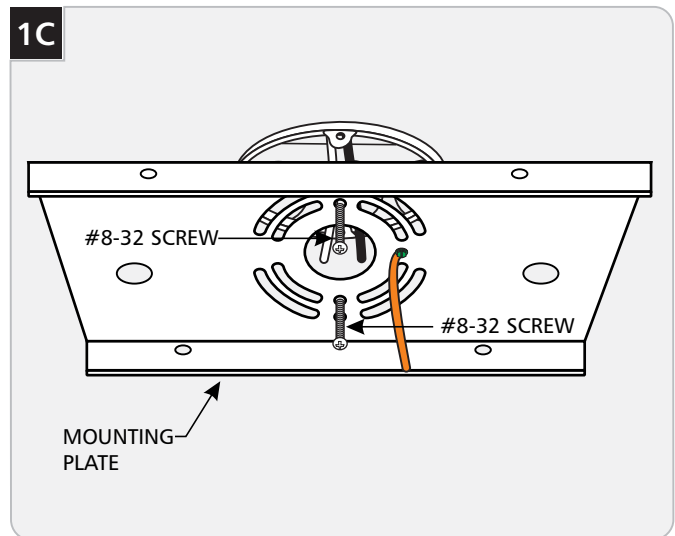
Install the Mounting Plate



1 Separate the mounting plate from the canopy by removing all four screws.



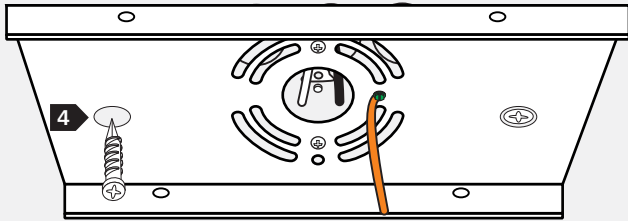
2 Remove the mounting plate from the canopy.



3 Secure the mounting plate to the electrical box with the two #8-32 screws provided.

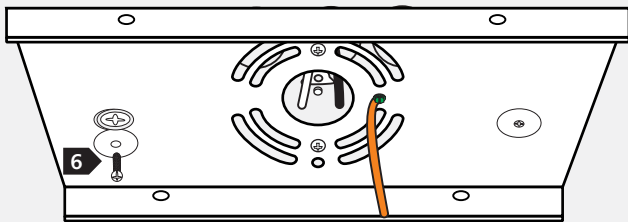
Assemble the Fixture

1D



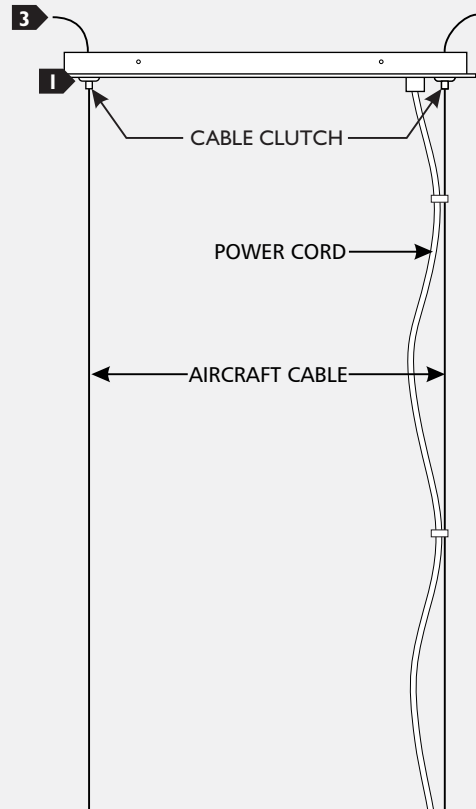
- 4 Line up an anchor with the center of a backplate hole and push the anchor in up to the threads.
- 5 Screw the anchor the rest of the way in with a screwdriver.

1E



- 6 Secure the backplate to the anchor with a screw and washer.
- 7 Repeat steps 4-6 for the remaining anchor hole.

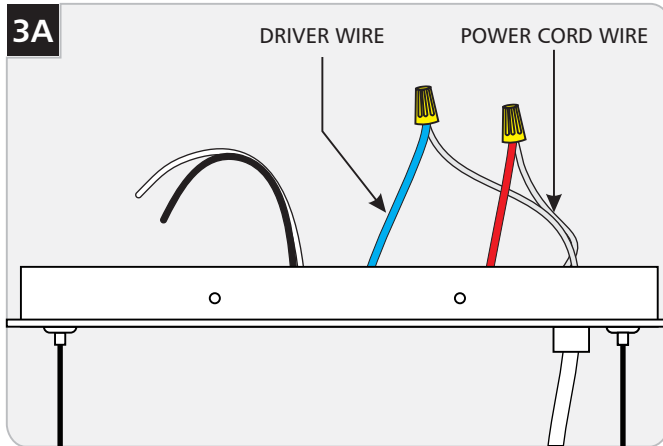
2A



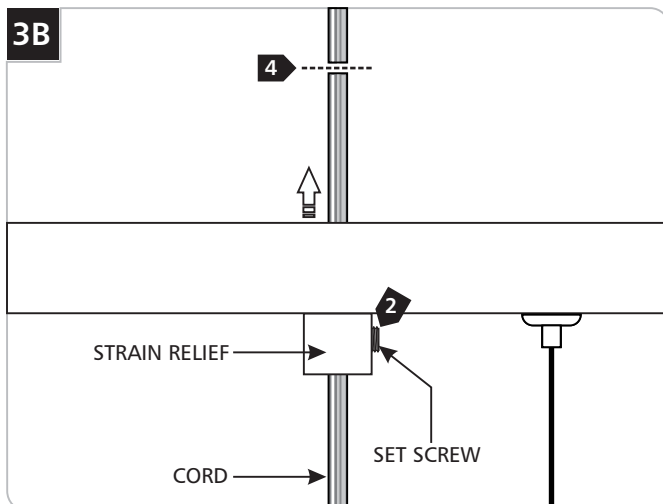
NOTE: Make sure to support the fixture while adjusting the aircraft cables. An assistant is recommended to complete the remaining steps.

- 1 Feed the aircraft cables through the cable clutches in the canopy.
- 2 Evenly pull the aircraft cable up through the canopy to raise the fixture to the desired length.
- 3 Cut off the excess aircraft cable leaving enough for fine leveling later.

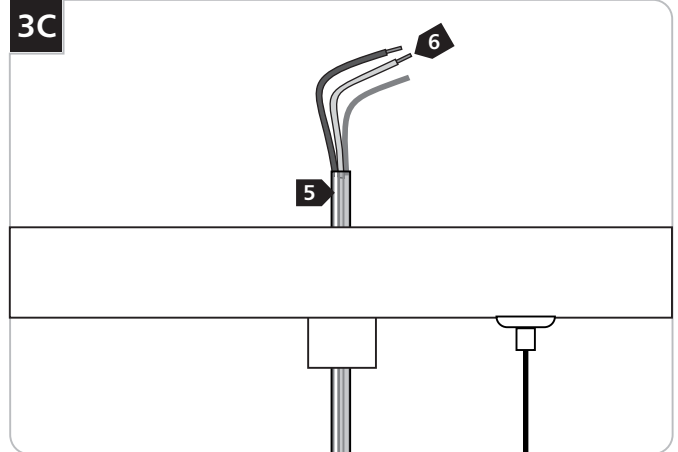
Adjust the Power Cord



- 1 Take note of the wire connections and remove the wire nuts to disconnect the power cord wires from the driver wires.



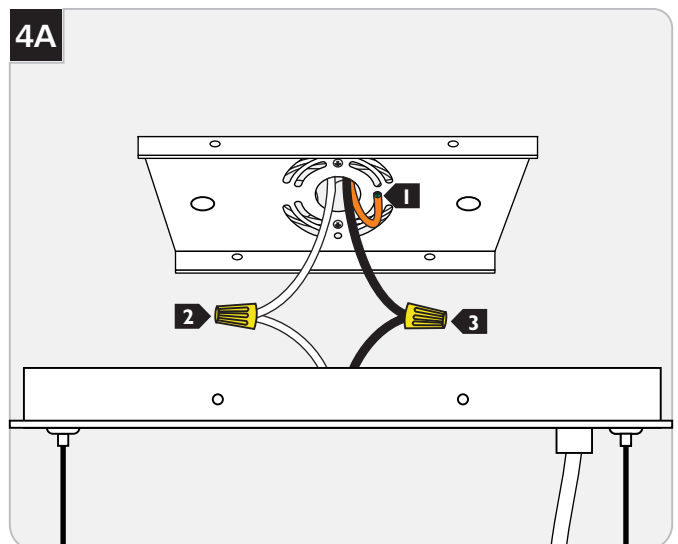
- 2 Loosen the set screw on the strain relief.
- 3 Pull the power cord through the canopy until it reaches the length desired.
NOTE: The power cord does not support the fixture, and does not have to be tight. For a casual "lazy cord" look, cut the power cord several inches longer than the drop height of the fixture.
- 4 Leave 6 inches of cord behind the canopy and tighten the set screw.



- 5 From the end of the cord, strip the insulation 4" using a sharp knife. **Make sure not to nick the inner wires.**
- 6 Cut off the extra cord, strip 1/2" off the wire ends, and reconnect the power cord wires to their original connections (reversal of 3A).

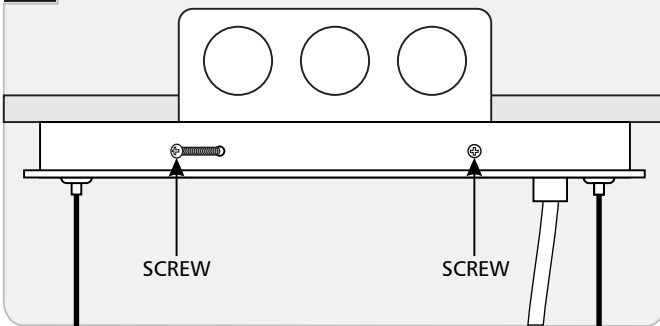
Install the Fixture to the Canopy

NOTE: It is recommended that one person hold the fixture while the electrician connects the power and installs the canopy.



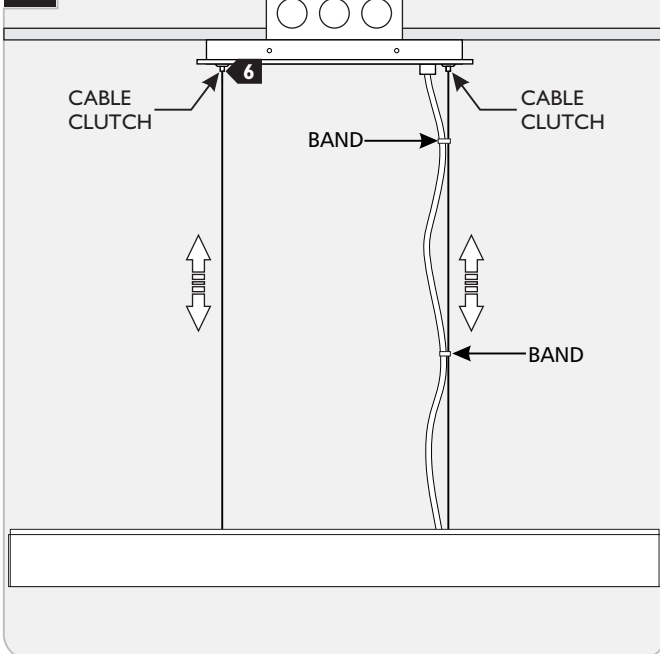
- 1 Connect the fixture to a suitable ground in accordance with local electrical codes.
- 2 Connect the white driver wire to the neutral power line wire with a wire nut.
- 3 Connect the black driver wire to the hot power line wire with a wire nut.

4B



- 4 Place all wires and wire nut connections inside the canopy.
- 5 Align the canopy holes with the crossbar holes. Secure the canopy in place by tightening the four screws.

4C



- 6 If necessary, adjust the aircraft cables until the fixture is level; feed the cable into the cable clutch to raise the fixture and push in on the cable clutch nipple to release the cable and lower the fixture.
- 7 Adjust the bands holding the power cord and aircraft cable to the desired position.

SAVE THESE INSTRUCTIONS!



TECH LIGHTING®

7400 Linder Ave, Skokie, IL 60077
847.410.4400

www.techlighting.com

© 2013 Tech Lighting, L.L.C. All rights reserved. The "Tech Lighting" graphic is a registered trademark of Tech Lighting, L.L.C. Tech Lighting reserves the right to change specifications for product improvements without notification.

A Generation Brands Company