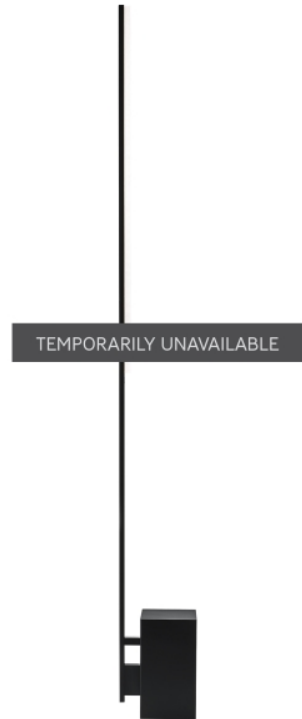


KLEE 70 FLOOR LAMP

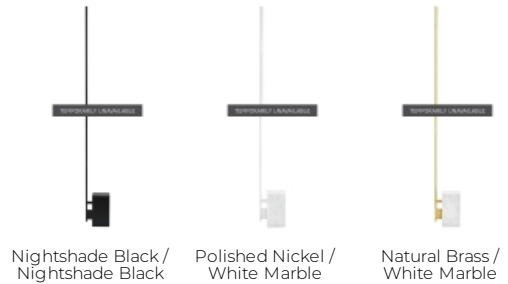
PRODUCT FEATURES

LAMPING

Includes 120-240 volt 22.2 watts, 1821.2 delivered lumens, 90 CRI 2700K LED module. Built-in three way dimming. Includes 6 feet of black cloth cord.



Nightshade Black / Nightshade Black



Nightshade Black / Nightshade Black

Polished Nickel / White Marble

Natural Brass / White Marble

ORDERING INFORMATION

700PRTKLE70 FINISH

- NB NATURAL BRASS/WHITE MARBLE
- B NIGHTSHADE BLACK
- N POLISHED NICKEL/MARBLE

LAMP

-LED927 INTEGRATED LED 90 CRI 2700K 120V-240V

700PRTKLE70 _____

JOB NAME _____

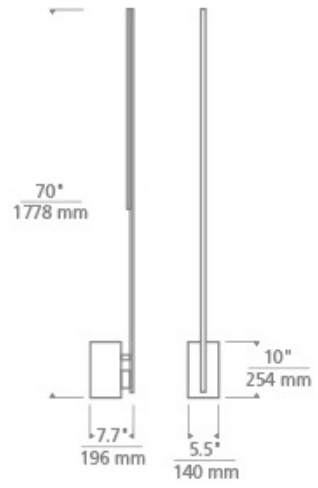
NOTES _____



KLEE 70 FLOOR LAMP

SPECIFICATIONS

HARDWARE MATERIAL
SHADE MATERIAL
NET WEIGHT
HEIGHT
WIDTH
LENGTH
WET LISTED
DAMP LISTED
DRY LISTED
GENERAL LISTING
INCLUDES



LAMPING SPECIFICATIONS

	LED LAMP	INTEGRATED LED	NON LED	NO LAMP
DELIVERED LUMENS				
WATTS				
MAX WATTAGE PER BULB				
INPUT VOLTAGE				
DIMMING TYPE*				
CCT				
CRI				
LED LIFETIME				
L70				
AVERAGE BULB HOURS				
FIELD SERVICEABLE LED				
LAMP BASE				
LAMP SHAPE				
LAMP INCLUDED?				
WARRANTY**				

*Dimming information available at www.techlighting.com/Downloads#dimming
 ** Visit techlighting.com for specific warranty limitations and details.

T20 / T24 / JA8 INFORMATION

	Integrated LED	Replacement LED Lamp	No Lamp *
This product can be used to comply with California Building Energy Efficiency Standards 2016 Title 24 Part 6 / JA8 .			
This product can be used to comply with California Appliance Efficiency Standards 2016 Title 20 and may be shipped to and sold in California.			

* If a light fixture or component does not include a lamp or light source, it is the responsibility of the customer to select a lamp that meets the T24 and T20 requirements.