

## PRODUCT FEATURES

- Klee 20 Wall Sconce features a modern minimalist design with clean, geometric lines inspired by the Bauhaus movement.
- Available in three finishes, a White Marble Backplate accented with Polished Nickel or Natural Brass that will patina over time and an all Nightshade Black finish.
- Features integrated LED designed in a thin acrylic panel providing a generous amount of indirect illumination.
- Dimmable with most LED compatible ELV and Triac dimmers. 277V dimmable with and 0-10V dimmer.
- Mounts up or down
- Protected by a 5-year warranty. please visit the "About Us" Page on [techlighting.com](http://techlighting.com) for more for warranty details



Natural Brass /  
White Marble

## LAMPING

Includes 11.7 watt, 939 delivered lumens, 3000K 90 CRI LED module. 120V dimmable with most LED compatible ELV and TRIAC Dimmers. 277V compatible with 0-10V dimmers. ADA compliant. Mounts up or down. 120V or 277V.



Natural Brass /  
White Marble



Nightshade Black /  
Nightshade Black



Polished Nickel /  
White Marble

## ORDERING INFORMATION

700WSKLE	LENGTH (A)	FINISH	LAMP
	20 20"	NB NATURAL BRASS/WHITE MARBLE	-LED930 INTEGRATED LED 90 CRI 3000K 120V
		B NIGHTSHADE BLACK	-LED930-277 INTEGRATED LED 90 CRI 3000K 277V
		N POLISHED NICKEL/WHITE MARBLE	

700WSKLE \_\_\_\_\_

JOB NAME \_\_\_\_\_

NOTES \_\_\_\_\_

\_\_\_\_\_

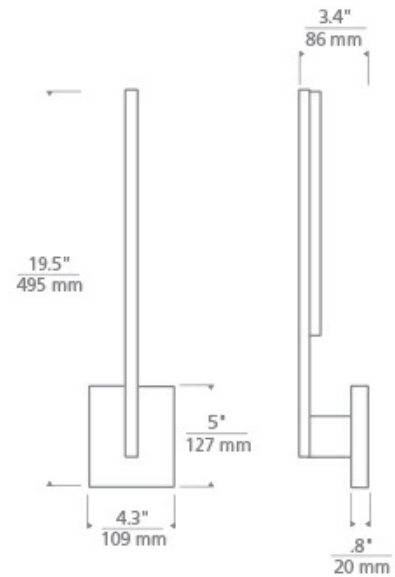
\_\_\_\_\_



# KLEE 20 WALL

## SPECIFICATIONS

HARDWARE MATERIAL	Metal
SHADE MATERIAL	Acrylic
NET WEIGHT	7.5 lbs
HEIGHT	19.5in
WIDTH	3.4in
LENGTH	4.3in
MIN. EXTENSION FROM WALL	3.4in
UP LIGHT / DOWN LIGHT / BOTH?	
WET LISTED	
DAMP LISTED	Yes
DRY LISTED	
UP / DOWN	
HORIZONTAL / VERTICAL	
WALL / CEILING MOUNT	
GENERAL LISTING	ETL Listed
ADA COMPLIANT	
INCLUDES	



## LAMPING SPECIFICATIONS

	LED LAMP	INTEGRATED LED	NON LED	NO LAMP
DELIVERED LUMENS		939		
WATTS		11.7		
MAX WATTAGE PER BULB		11.7W		
INPUT VOLTAGE		120V 277V		
DIMMING TYPE*		ELV, TRIAC 0-10V		
CCT		3000K		
CRI		90 CRI		
LED LIFETIME				
L70		>50000		
AVERAGE BULB HOURS				
FIELD SERVICEABLE LED				
LAMP BASE		Integrated LED		
LAMP SHAPE		Integrated LED		
LAMP INCLUDED?		True		
WARRANTY**		5 Years		

\* Dimming information available at [www.techlighting.com/Downloads#dimming](http://www.techlighting.com/Downloads#dimming)

\*\* Visit [techlighting.com](http://techlighting.com) for specific warranty limitations and details.

## T20 / T24 / JA8 INFORMATION

	Integrated LED	Replacement LED Lamp	No Lamp *
This product can be used to comply with California Building Energy Efficiency Standards 2016 <b>Title 24</b> Part 6 / <b>JA8</b> .	Yes		
This product can be used to comply with California Appliance Efficiency Standards 2016 <b>Title 20</b> and may be shipped to and sold in California.	N/A		

\* If a light fixture or component does not include a lamp or light source, it is the responsibility of the customer to select a lamp that meets the T24 and T20 requirements.

