

# ISLA PENDANT

## PRODUCT FEATURES

- Irregular organic hand blown round-shaped glass
- Unique seeded mouth-blown glass technique adds character and visual appeal
- Available in contemporary glass colors
- Ideal for kitchen island task lighting, bedroom lighting and home office lighting
- 1-year warranty with no lamping option. 5 year warranty with LED lamping option, visit [techlighting.com](http://techlighting.com) for more warranty details



## LAMPING

Rated for (1) 60 watt max. E26 medium base lamp( Lamp not included). LED includes (1) 3.5 watt 378.5 delivered lumen medium base ST19 90 CRI 2700K LED lamp. LED dimmable with LED compatible ELV or Triac dimmer.

Clear



Clear

Smoke

## ORDERING INFORMATION

700	SYSTEM	ISLA	COLOR	FINISH	LAMP
	TD LINE-VOLTAGE PENDANTS/SUSPENSION		C CLEAR K SMOKE	Z ANTIQUE BRONZE S SATIN NICKEL	NO LAMP -LED927 ST19 LED 90 CRI 2700K 120V (T24)

700 \_\_\_\_\_ ISLA \_\_\_\_\_

JOB NAME \_\_\_\_\_

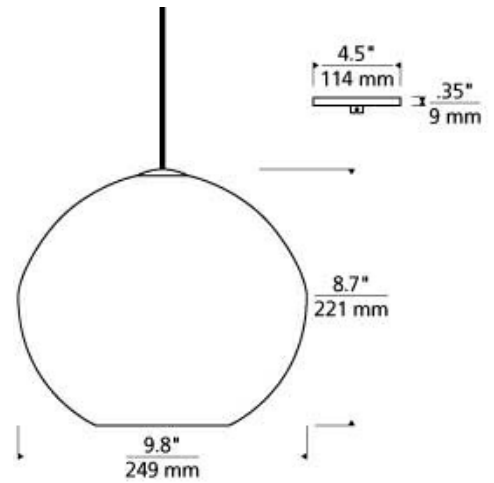
NOTES \_\_\_\_\_



# ISLA PENDANT

## SPECIFICATIONS

HARDWARE MATERIAL	Metal
SHADE MATERIAL	
NET WEIGHT	3 lbs
HEIGHT	8.7in
WIDTH	9.8in
LENGTH	9.8in
UP LIGHT / DOWN LIGHT / BOTH?	
WET LISTED	
DAMP LISTED	Yes
DRY LISTED	
MIN. HANGING HEIGHT	15.2in
MAX HANGING HEIGHT	81.2in
TOTAL CORD LENGTH	72in
TOTAL STEM LENGTH	
STEM QTY	
SLOPED CEILING ADAPTABLE?	Yes 45° Max
GENERAL LISTING	ETL Listed
INCLUDES	



## LAMPING SPECIFICATIONS

	LED LAMP	INTEGRATED LED	NON LED	NO LAMP
DELIVERED LUMENS	379.0			
WATTS	3.5			
MAX WATTAGE PER BULB	60W		60W	
INPUT VOLTAGE	120V		120V	
DIMMING TYPE*	ELV, TRIAC		ELV, TRIAC	
CCT	2700K			
CRI	90 CRI			
LED LIFETIME				
L70	>25000			
AVERAGE BULB HOURS				
FIELD SERVICEABLE LED				
LAMP BASE	E26 Medium Base		E26 Medium Base	
LAMP SHAPE	ST19		ST19	
LAMP INCLUDED?	True		False	
WARRANTY**	1 Year		1 Year	

\* Dimming information available at [www.techlighting.com/Downloads#dimming](http://www.techlighting.com/Downloads#dimming)

\*\* Visit [techlighting.com](http://techlighting.com) for specific warranty limitations and details.

## T20 / T24 / JA8 INFORMATION

	Integrated LED	Replacement LED Lamp	No Lamp *
This product can be used to comply with California Building Energy Efficiency Standards 2016 <b>Title 24</b> Part 6 / <b>JA8</b> .		Yes	N/A
This product can be used to comply with California Appliance Efficiency Standards 2016 <b>Title 20</b> and may be shipped to and sold in California.		No	N/A

\* If a light fixture or component does not include a lamp or light source, it is the responsibility of the customer to select a lamp that meets the T24 and T20 requirements.

