

# FIAMA 24 SUSPENSION

## PRODUCT FEATURES

- Large transitional design style yet modern
- Simple slender ring that adds a minimalist chic feel to any space
- Ideal for dining room lighting, foyer lighting and commercial
- Ships with an energy efficient integrated LED lamp
- Fully dimmable integrated LEDs illuminate up and down to create the desired ambiance
- Protected by a 5-year warranty. Please visit the "About Us" Page on [techlighting.com](http://techlighting.com) for more for warranty details



## LAMPING

Includes 51.7 watt, 3685.3 delivered lumen, 90 CRI, 3000K LED module. Dimmable with most LED compatible ELV, TRIAC and 0-10V dimmers. Fixture provided with twelve feet of field-cutttable cable to match finish selection.



## ORDERING INFORMATION

700FIA	SHAPE OR SIZE	FINISH	LAMP
	24 24" DIAMETER	B BLACK BR PLATED BRASS S SATIN NICKEL	-LED930 LED 90 CRI 3000K 120V-277V UNV

700FIA \_\_\_\_\_

JOB NAME \_\_\_\_\_

NOTES \_\_\_\_\_

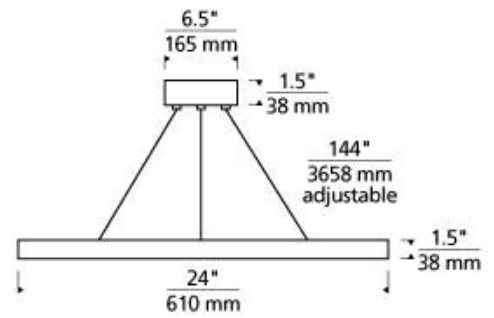
\_\_\_\_\_



# FIAMA 24 SUSPENSION

## SPECIFICATIONS

HARDWARE MATERIAL	Metal
SHADE MATERIAL	Aluminum
NET WEIGHT	5 lbs
HEIGHT	1.5in
WIDTH	24in
LENGTH	24in
UP LIGHT / DOWN LIGHT / BOTH?	
WET LISTED	
DAMP LISTED	Yes
DRY LISTED	
MIN. HANGING HEIGHT	15in
MAX HANGING HEIGHT	147in
TOTAL CORD LENGTH	144in
TOTAL STEM LENGTH	
STEM QTY	
SLOPED CEILING ADAPTABLE?	Yes 45° Max
GENERAL LISTING	ETL Listed
INCLUDES	



## LAMPING SPECIFICATIONS

	LED LAMP	INTEGRATED LED	NON LED	NO LAMP
DELIVERED LUMENS		3685.0		
WATTS		50.7		
MAX WATTAGE PER BULB		50.7W		
INPUT VOLTAGE		Universal 120V-277V		
DIMMING TYPE*		0-10, ELV, TRIAC		
CCT		3000K		
CRI		90 CRI		
LED LIFETIME				
L70		>50000		
AVERAGE BULB HOURS				
FIELD SERVICEABLE LED				
LAMP BASE		Integrated LED		
LAMP SHAPE		Integrated LED		
LAMP INCLUDED?		True		
WARRANTY**		5 Years		

\*Dimming information available at [www.techlighting.com/Downloads#dimming](http://www.techlighting.com/Downloads#dimming)

\*\* Visit [techlighting.com](http://techlighting.com) for specific warranty limitations and details.

## T20 / T24 / JA8 INFORMATION

	Integrated LED	Replacement LED Lamp	No Lamp *
This product can be used to comply with California Building Energy Efficiency Standards 2016 <b>Title 24</b> Part 6 / <b>JA8</b> .	No		
This product can be used to comply with California Appliance Efficiency Standards 2016 <b>Title 20</b> and may be shipped to and sold in California.	N/A		

\* If a light fixture or component does not include a lamp or light source, it is the responsibility of the customer to select a lamp that meets the T24 and T20 requirements.

