

# FETT PENDANT

## PRODUCT FEATURES

- Unique sand cast aluminum shade features natural texture and deep weathered zinc finish
- Complementary wall sconce light and ceiling light also available from Tech Lighting
- Large scale contemporary pendant light perfect for making a strong statement
- Fully dimmable LED and incandescent lamping options to create the desired ambiance
- Ships with choice of LED or Incandescent lamp included saving you time and money
- Protected by a 1-year warranty, please visit [www.techlighting.com](http://www.techlighting.com) for details.



Weathered Zinc



Weathered Zinc

## LAMPING

Rated for (1) 150 watt E26 medium base lamp (Lamp Not Included). LED version includes 120 volt 12 watt, 900 delivered lumen, 3000K, medium base LED G40 lamp. Fixture provided with twelve feet of field-cutttable cloth cord. Dimmable with most LED compatible ELV and TRIAC dimmers.

## ORDERING INFORMATION

700	SYSTEM	FETP	FINISH	LAMP
	TD LINE-VOLTAGE PENDANTS/SUSPENSION		E WEATHERED ZINC	NO LAMP -LED930 LED 90 CRI 3000K 120V

700 \_\_\_\_\_ FETP \_\_\_\_\_

JOB NAME \_\_\_\_\_

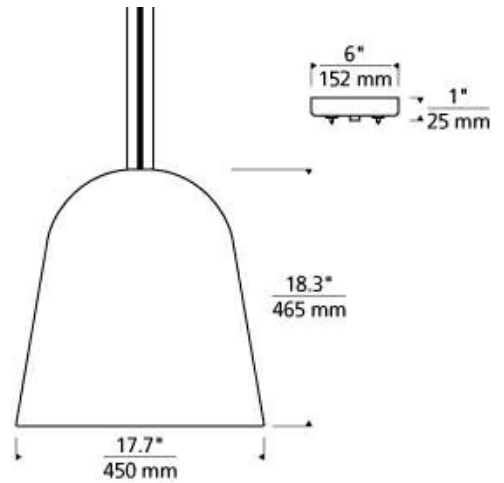
NOTES \_\_\_\_\_



# FETT PENDANT

## SPECIFICATIONS

HARDWARE MATERIAL	Metal
SHADE MATERIAL	Metal
NET WEIGHT	20 lbs
HEIGHT	18.3in
WIDTH	17.7in
LENGTH	17.7in
UP LIGHT / DOWN LIGHT / BOTH?	
WET LISTED	
DAMP LISTED	Yes
DRY LISTED	
MIN. HANGING HEIGHT	25.3in
MAX HANGING HEIGHT	163.3in
TOTAL CORD LENGTH	144in
TOTAL STEM LENGTH	
STEM QTY	
SLOPED CEILING ADAPTABLE?	Yes 45° Max
GENERAL LISTING	ETL Listed
INCLUDES	



## LAMPING SPECIFICATIONS

	LED LAMP	INTEGRATED LED	NON LED	NO LAMP
DELIVERED LUMENS				
WATTS				
MAX WATTAGE PER BULB			150W	
INPUT VOLTAGE			120V	
DIMMING TYPE*			ELV, TRIAC	
CCT				
CRI				
LED LIFETIME				
L70				
AVERAGE BULB HOURS				
FIELD SERVICEABLE LED				
LAMP BASE			E26 Medium Base	
LAMP SHAPE			G40	
LAMP INCLUDED?			False	
WARRANTY**			1 Year	

\*Dimming information available at [www.techlighting.com/Downloads#dimming](http://www.techlighting.com/Downloads#dimming)  
 \*\* Visit [techlighting.com](http://techlighting.com) for specific warranty limitations and details.

## T20 / T24 / JA8 INFORMATION

	Integrated LED	Replacement LED Lamp	No Lamp *
This product can be used to comply with California Building Energy Efficiency Standards 2016 <b>Title 24</b> Part 6 / <b>JA8</b> .			N/A
This product can be used to comply with California Appliance Efficiency Standards 2016 <b>Title 20</b> and may be shipped to and sold in California.			N/A

\* If a light fixture or component does not include a lamp or light source, it is the responsibility of the customer to select a lamp that meets the T24 and T20 requirements.

