

DEVIN PENDANT

PRODUCT FEATURES

- Hand-blown pendant with a sophisticated classic table lamp silhouette
- Large scale pendant ideal for making a bold and chic statement
- Ships with matching canopy and 12' of field-cuttable white cloth cord
- Complementary Henley and Rhonan Grande pendant also available from Tech Lighting
- Available lamping options include energy efficient LED or no-lamp, leaving you the option to light this fixture with your preferred lamping
- Protected by a 1-year warranty



LAMPING

Rated for (1) 120 volt, 150 watt medium base E26 based lamp (Lamp Not Included). LED version includes 12 watt, 900 delivered lumen, 3000K medium base G40 LED lamp. Fixture provided with twelve feet of field-cuttable white cloth cord and matching canopy. Dimmable with most LED compatible ELV and TRIAC dimmers.

Satin Gold /
White



Polished Nickel /
White

Satin Gold /
White

ORDERING INFORMATION

700	SYSTEM	DEVP	COLOR	FINISH	LAMP
	TD LINE-VOLTAGE PENDANTS/SUSPENSION		W WHITE	NW POLISHED NICKEL/WHITE GW SATIN GOLD/WHITE	NO LAMP -LED930 G40 LED 80 CRI 3000K 120V

700 _____ DEVP _____

JOB NAME _____

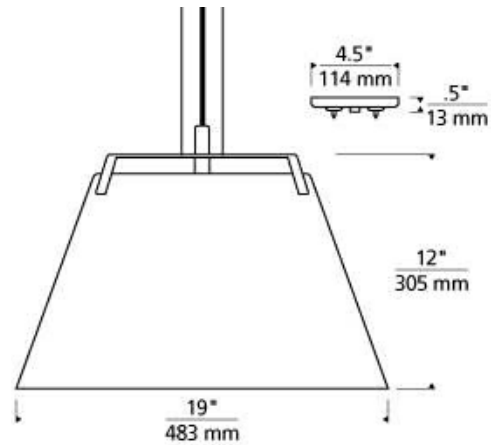
NOTES _____



DEVIN PENDANT

SPECIFICATIONS

HARDWARE MATERIAL	Metal
SHADE MATERIAL	Glass
NET WEIGHT	10 lbs
HEIGHT	12in
WIDTH	19in
LENGTH	19in
UP LIGHT / DOWN LIGHT / BOTH?	
WET LISTED	
DAMP LISTED	Yes
DRY LISTED	
MIN. HANGING HEIGHT	18.5in
MAX HANGING HEIGHT	156.5in
TOTAL CORD LENGTH	144in
TOTAL STEM LENGTH	
STEM QTY	
SLOPED CEILING ADAPTABLE?	Yes 45° Max
GENERAL LISTING	ETL Listed
INCLUDES	



LAMPING SPECIFICATIONS

	LED LAMP	INTEGRATED LED	NON LED	NO LAMP
DELIVERED LUMENS	650			
WATTS	12			
MAX WATTAGE PER BULB	150W		150W	
INPUT VOLTAGE	120V		120V	
DIMMING TYPE*	ELV, TRIAC		ELV, TRIAC	
CCT	3000K			
CRI	80 CRI			
LED LIFETIME				
L70	>25000			
AVERAGE BULB HOURS				
FIELD SERVICEABLE LED				
LAMP BASE	E26 Medium Base		E26 Medium Base	
LAMP SHAPE	G40		G40	
LAMP INCLUDED?	True		False	
WARRANTY**	1 Year		1 Year	

* Dimming information available at www.techlighting.com/Downloads#dimming

** Visit techlighting.com for specific warranty limitations and details.

T20 / T24 / JA8 INFORMATION

	Integrated LED	Replacement LED Lamp	No Lamp *
This product can be used to comply with California Building Energy Efficiency Standards 2016 Title 24 Part 6 / JA8 .		No	N/A
This product can be used to comply with California Appliance Efficiency Standards 2016 Title 20 and may be shipped to and sold in California.		No	N/A

* If a light fixture or component does not include a lamp or light source, it is the responsibility of the customer to select a lamp that meets the T24 and T20 requirements.

