

DESSAU 46 FLOOR LAMP

PRODUCT FEATURES

- Inspired by the traditional pharmacy lamp and updated with a modern design housing a slim recessed panel of integrated LED lights.
- Available in two sizes (46 and 38) and three modern finishes, Nightshade Black, Polished Nickel and a Natural Brass that will patina over time.
- Illuminated arm rotates 35° in each direction providing task lighting where you need it.
- Fixture includes an integrated 3-step touch dimmer to conveniently achieve your preferred ambiance.
- Includes 6 feet of black cloth cord
- Protected by a 5-year warranty. please visit the "About Us" Page on techlighting.com for more for warranty details

LAMPING

Includes 120-240 volt 10.4 watts, 548.3 delivered lumens, 90 CRI 2700K LED module. Built-in three way dimming. Includes 6 feet of black cloth cord.



Nightshade Black



To view all available finish options, please visit techlighting.com

ORDERING INFORMATION

700PRTDES SHAPE OR SIZE	FINISH	LAMP
46 46	NB NATURAL BRASS B NIGHTSHADE BLACK N POLISHED NICKEL	-LED927 INTEGRATED LED 90 CRI 2700K 120V

700PRTDES _____

JOB NAME _____

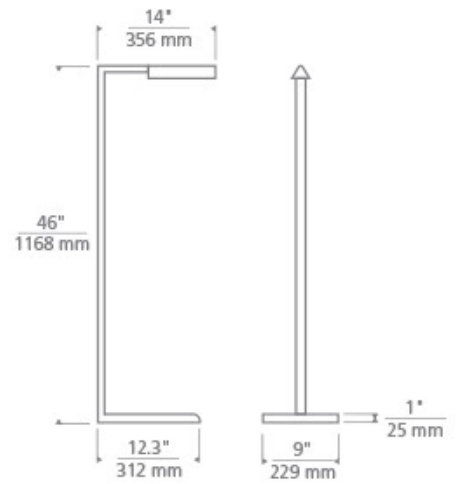
NOTES _____



DESSAU 46 FLOOR LAMP

SPECIFICATIONS

HARDWARE MATERIAL	Metal
SHADE MATERIAL	Aluminum
NET WEIGHT	5 lbs
HEIGHT	46in
WIDTH	9in
LENGTH	14in
WET LISTED	
DAMP LISTED	Yes
DRY LISTED	
GENERAL LISTING	ETL Listed
INCLUDES	



LAMPING SPECIFICATIONS

	LED LAMP	INTEGRATED LED	NON LED	NO LAMP
DELIVERED LUMENS		548.0		
WATTS		10.4		
MAX WATTAGE PER BULB		10.4W		
INPUT VOLTAGE		120-240V		
DIMMING TYPE*		Integrated 3-Step Touch Dimmer		
CCT		2700K		
CRI		90 CRI		
LED LIFETIME				
L70		>50000		
AVERAGE BULB HOURS				
FIELD SERVICEABLE LED				
LAMP BASE		Integrated LED		
LAMP SHAPE		Integrated LED		
LAMP INCLUDED?		True		
WARRANTY**		5 Years		

* Dimming information available at www.techlighting.com/Downloads#dimming
 ** Visit techlighting.com for specific warranty limitations and details.

T20 / T24 / JA8 INFORMATION

	Integrated LED	Replacement LED Lamp	No Lamp *
This product can be used to comply with California Building Energy Efficiency Standards 2016 Title 24 Part 6 / JA8 .	No		
This product can be used to comply with California Appliance Efficiency Standards 2016 Title 20 and may be shipped to and sold in California.	Yes		

* If a light fixture or component does not include a lamp or light source, it is the responsibility of the customer to select a lamp that meets the T24 and T20 requirements.

