

BRUMMEL GRANDE PENDANT

PRODUCT FEATURES

- Mid-century modern design with sharp lines contemporary styling
- Spun metal lamp shade
- Complementary Brummel Grande also available from Tech Lighting
- Fully dimmable halogen or LED lamping to create the desired ambiance
- Ships with halogen or LED lamping included saving you time and money
- Protected by a 5-year warranty



LAMPING

Rated for (1) 60 watt max E26 medium base lamp (Lamp Not Included). LED version includes 19 watt, 493 delivered lumen, 2700K, medium base LED A21 lamp. Dimmable with most LED compatible ELV and TRIAC dimmers. Fixture provided with six feet of field-cutttable satin cable.

Charcoal Gray



Charcoal Gray

White

ORDERING INFORMATION

700	SYSTEM	BMLGP	COLOR	FINISH	LAMP
	TD LINE-VOLTAGE PENDANTS/SUSPENSION		Y CHARCOAL GRAY W MATTE WHITE	B BLACK S SATIN NICKEL W WHITE	NO LAMP -LED927 LED 90 CRI 2700K 120V (T20/T24)

700 _____ BMLGP _____

JOB NAME _____

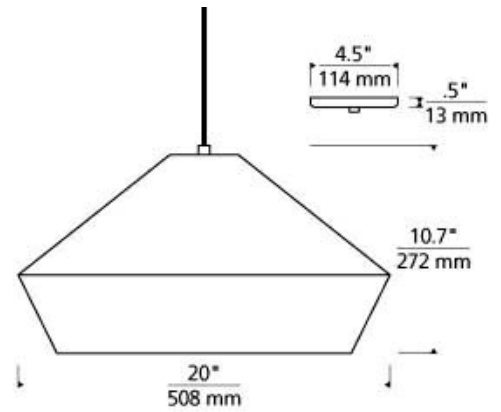
NOTES _____



BRUMMEL GRANDE PENDANT

SPECIFICATIONS

HARDWARE MATERIAL	Metal
SHADE MATERIAL	Metal
NET WEIGHT	3 lbs
HEIGHT	10.7in
WIDTH	20in
LENGTH	20in
UP LIGHT / DOWN LIGHT / BOTH?	
WET LISTED	
DAMP LISTED	Yes
DRY LISTED	
MIN. HANGING HEIGHT	17.2in
MAX HANGING HEIGHT	83.2in
TOTAL CORD LENGTH	72in
TOTAL STEM LENGTH	
STEM QTY	
SLOPED CEILING ADAPTABLE?	Yes 45° Max
GENERAL LISTING	ETL Listed
INCLUDES	



LAMPING SPECIFICATIONS

	LED LAMP	INTEGRATED LED	NON LED	NO LAMP
DELIVERED LUMENS	493			
WATTS	17			
MAX WATTAGE PER BULB	100W		100W	
INPUT VOLTAGE	120V		120V	
DIMMING TYPE*	ELV, TRIAC		ELV, TRIAC	
CCT	2700K			
CRI	90 CRI			
LED LIFETIME				
L70	>25000			
AVERAGE BULB HOURS				
FIELD SERVICEABLE LED				
LAMP BASE	E26 Medium Base		E26 Medium Base	
LAMP SHAPE	A21		A21	
LAMP INCLUDED?	True		False	
WARRANTY**	1 Year		1 Year	

*Dimming information available at www.techlighting.com/Downloads#dimming

** Visit techlighting.com for specific warranty limitations and details.

T20 / T24 / JA8 INFORMATION

	Integrated LED	Replacement LED Lamp	No Lamp *
This product can be used to comply with California Building Energy Efficiency Standards 2016 Title 24 Part 6 / JA8 .		Yes	N/A
This product can be used to comply with California Appliance Efficiency Standards 2016 Title 20 and may be shipped to and sold in California.		Yes	N/A

* If a light fixture or component does not include a lamp or light source, it is the responsibility of the customer to select a lamp that meets the T24 and T20 requirements.

