

Bodiam

700BOD_ 1.2



SUSPENSION

GENERAL PRODUCT INFORMATION:

These fixtures are intended to be installed utilizing NEC compliant junction boxes.



This product is suitable for damp locations.

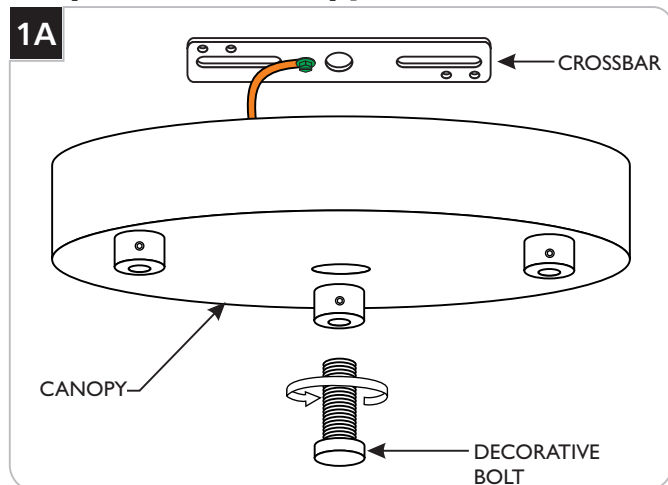
This product can be dimmed with a low-voltage electronic dimmer.



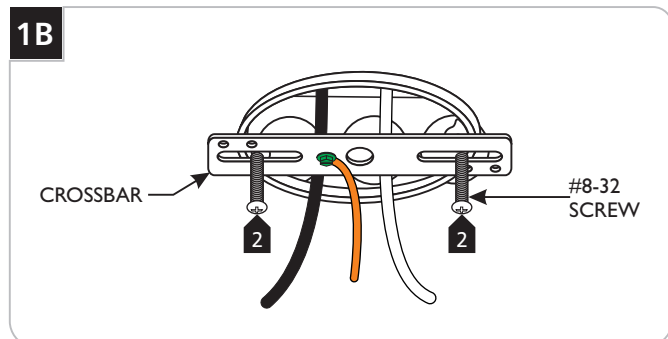
SAVE THESE INSTRUCTIONS!

CAUTION - RISK OF FIRE
 This product must be installed in accordance with the applicable installation code by a person familiar with the construction and operation of the product and the hazards involved.
Use minimum 90°C supply conductors.

Prepare the Canopy

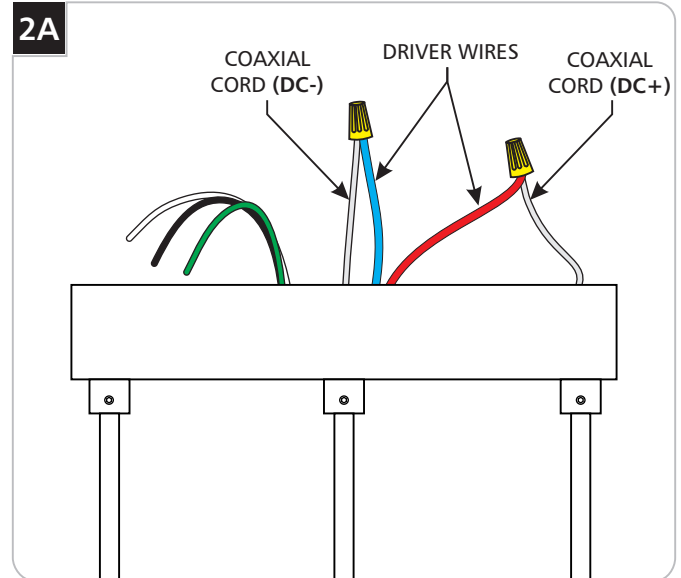


1 Remove the crossbar from the canopy by completely unscrewing the decorative bolt.

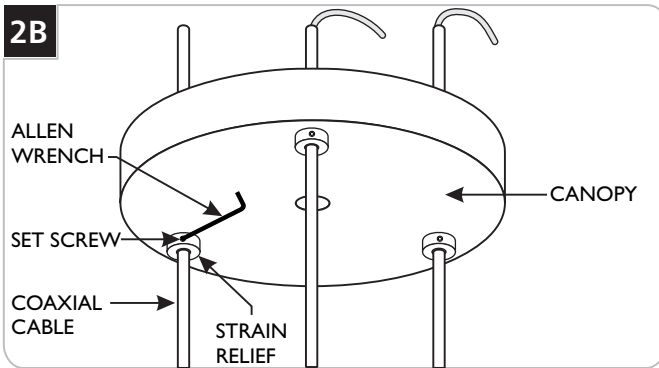


2 Mount the crossbar assembly to the electrical box with the two provided #8-32 screws.

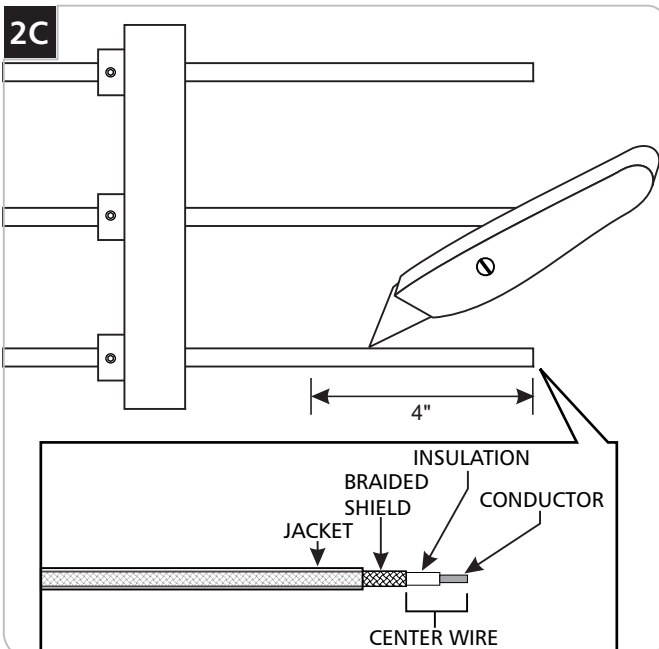
Adjust the Height (optional)



1 If shortening of the coaxial cords is necessary, take note of the wire connections and polarity from the coaxial cables to the driver and remove the wire nuts.

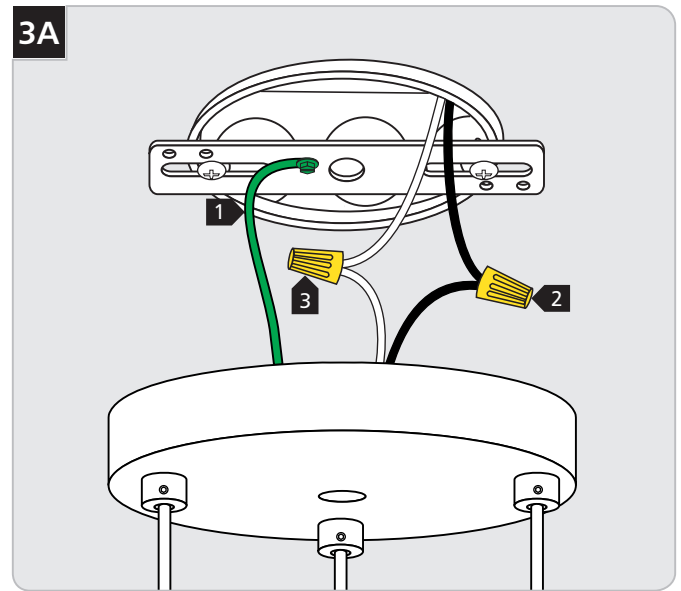
2B

- 2 Using the provided Allen wrench, loosen (**Do Not Remove**) the set screw on each strain relief.
- 3 Place the fixture on a level surface.
- 4 Evenly pull the three coaxial cables through the canopy until it reaches the length desired. **NOTE:** Take caution to not remove the inner bushing from inside the strain relief while pulling the coaxial cord through.
- 5 Ensure that the canopy is level and re-tighten the set screws on the strain reliefs.

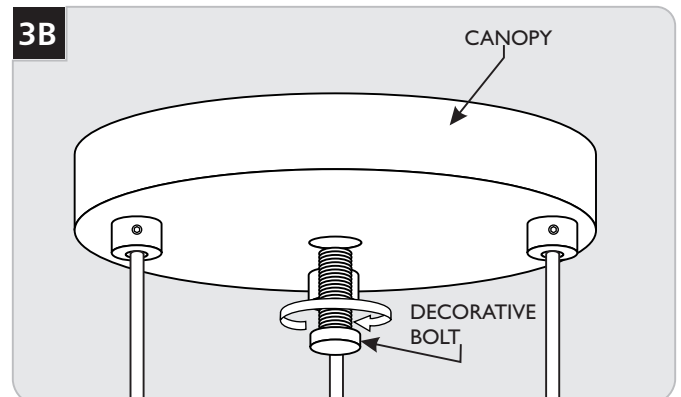
2C

- 6 Leave 8" of the coaxial cable behind the canopy for the power connections and fine leveling. Cut the excess cord.
- 7 From the end of the cord, strip the jacket and braided shield 4" using a sharp knife. **Make sure not to nick the center wire.**
- 8 Strip the insulation from the end of the center wire to expose the conductor.
- 9 Reconnect the power cord wires to their original connections making sure to note polarity.(reversal of 2A) **NOTE: Ensure that the inner conductor is being connected, not the braided coaxial shield.**

Install the Fixture

3A

- 1 Connect the fixture ground wire to a suitable ground in accordance with local electrical codes.
- 2 Connect the black driver wire to the hot power line wire with a wire nut.
- 3 Connect the white driver wire to the neutral power line wire with a wire nut.

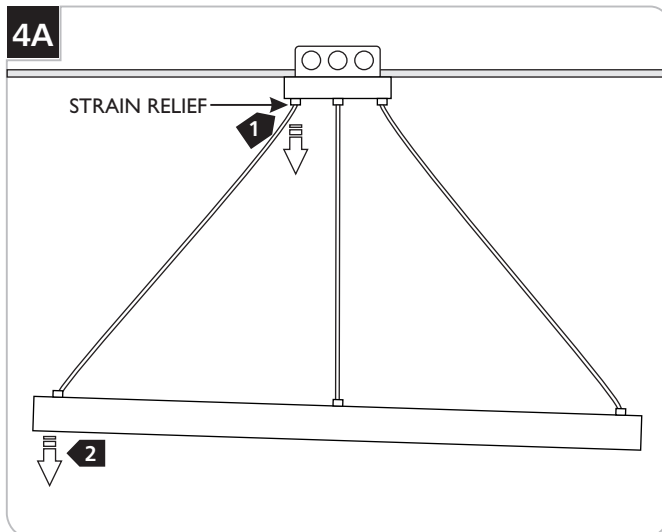
3B

- 4 Place all wires and wire nut connections properly inside the canopy.
- 5 Align the canopy center hole with the crossbar center hole.
- 6 Slide the canopy up against the ceiling and secure it in place by tightening the decorative bolt.

Additional Leveling (optional)

NOTE: If necessary, minor leveling adjustments to the fixture may be needed. It is recommended that one person hold the fixture straight with the use of a level while the other adjusts the coaxial cable.

CAUTION: Only pull out extra cable for leveling if enough cord was left being the canopy. Minimal amounts of cord should be pulled out for fine leveling.



CAUTION: Make sure to support the fixture if fine leveling is necessary

- 1** Loosen (do not remove) the set screws on the canopy strain relief on the side which needs adjusting.
- 2** Evenly and gently pull out or push in the coaxial cable, in very small increments, through the strain relief to adjust whichever side to level the fixture.
- 3** Ensure that the fixture is level and re-tighten the set screw on the strain relief.



7400 Linder Ave., Skokie, IL 60077

T 847.410.4400 | F 847.410.4500

www.techlighting.com