

## PRODUCT FEATURES

- Straight-lined with crisp edges, Banda's clean aesthetic envelops integrated LEDs providing up and downlight
- Popular 24" length
- Offered in three finishes, Natural Brass that will patina over time, Matte Black and Chrome
- Mounts horizontal or vertical. ADA Compliant.
- Lamping options are compatible with most dimmers
- Protected by a 5-year warranty. please visit the "About Us" Page on [techlighting.com](http://techlighting.com) for more for warranty details



## LAMPING

Includes 120-277 volt universal, 21 watt, 790.6 delivered lumens, 3000K LED linear module. Dimmable with most LED compatible ELV, TRIAC and 0-10V dimmers. Minimum 4" junction box is required.

Natural Brass



Chrome

Matte Black

Natural Brass

## ORDERING INFORMATION

700BCBND	LENGTH (A)	FINISH	LAMP
	24 24"	C CHROME B MATTE BLACK NB NATURAL BRASS	-LED930 INTEGRATED LED 90 CRI 3000K 120V-277V UNV

700BCBND \_\_\_\_\_

JOB NAME \_\_\_\_\_

NOTES \_\_\_\_\_

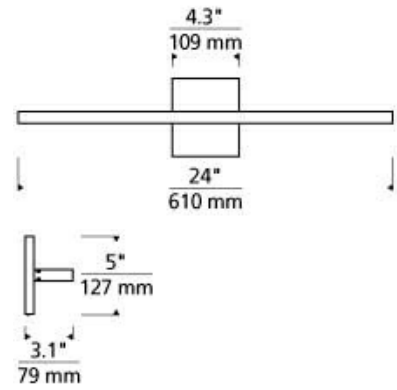
\_\_\_\_\_



# BANDA 24 BATH

## SPECIFICATIONS

HARDWARE MATERIAL	Metal
SHADE MATERIAL	Acrylic
NET WEIGHT	2.5 lbs
HEIGHT	5in
WIDTH	3.1in
LENGTH	24in
WET LISTED	
DAMP LISTED	Yes
DRY LISTED	
GENERAL LISTING	ETL Listed
INCLUDES	



## LAMPING SPECIFICATIONS

	LED LAMP	INTEGRATED LED	NON LED	NO LAMP
DELIVERED LUMENS		791.0		
WATTS		21		
MAX WATTAGE PER BULB		21W		
INPUT VOLTAGE		Universal 120V-277V		
DIMMING TYPE*		0-10, ELV, TRIAC		
CCT		3000K		
CRI		90 CRI		
LED LIFETIME				
L70		>50000		
AVERAGE BULB HOURS				
FIELD SERVICEABLE LED				
LAMP BASE		Integrated LED		
LAMP SHAPE		Integrated LED		
LAMP INCLUDED?		True		
WARRANTY**		5 Years		

\*Dimming information available at [www.techlighting.com/Downloads#dimming](http://www.techlighting.com/Downloads#dimming)

\*\* Visit [techlighting.com](http://techlighting.com) for specific warranty limitations and details.

## T20 / T24 / JA8 INFORMATION

	Integrated LED	Replacement LED Lamp	No Lamp *
This product can be used to comply with California Building Energy Efficiency Standards 2016 <b>Title 24</b> Part 6 / <b>JA8</b> .	No		
This product can be used to comply with California Appliance Efficiency Standards 2016 <b>Title 20</b> and may be shipped to and sold in California.	N/A		

\* If a light fixture or component does not include a lamp or light source, it is the responsibility of the customer to select a lamp that meets the T24 and T20 requirements.

