

PRODUCT FEATURES

- Designed with modern appeal, Banda provides a clean aesthetic with straight-lines and crisp edges enveloping integrated LEDs.
- Available in three modern finishes, a Natural Brass that will patina over time, Matte Black and Chrome to fit your modern style.
- Complete the look with Banda Bath Bar 24 and Banda 36.
- Dimmable with most LED compatible ELV and Triac dimmers. 277V dimmable with and 0-10V dimmer.
- Mounts horizontal or vertical. ADA Compliant.
- Protected by a 5-year warranty. please visit the "About Us" Page on techlighting.com for more for warranty details



Matte Black

LAMPING

Includes 11.7 watt, 652 delivered lumens, 3000K 90 CRI LED module. 120V dimmable with most LED compatible ELV and TRIAC Dimmers. 277V compatible with 0-10V dimmers. ADA compliant. Mounts vertical or horizontal. 120V or 277V.



Chrome



Matte Black



Natural Brass

ORDERING INFORMATION

700BCBND	LENGTH (A)	FINISH	LAMP
	13 13"	C CHROME	-LED930 INTEGRATED LED 90 CRI 3000K 120V
		B MATTE BLACK	-LED930-277 INTEGRATED LED 90 CRI 3000K 277V
		NB NATURAL BRASS	

700BCBND _____

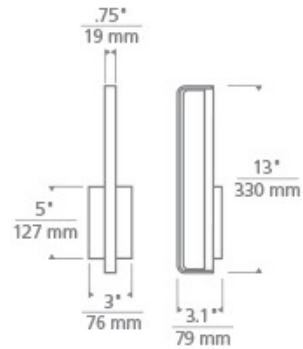
JOB NAME _____

NOTES _____



SPECIFICATIONS

HARDWARE MATERIAL	Metal
SHADE MATERIAL	Acrylic
NET WEIGHT	2 lbs
HEIGHT	13in
WIDTH	3.1in
LENGTH	3in
WET LISTED	
DAMP LISTED	Yes
DRY LISTED	
GENERAL LISTING	ETL Listed
INCLUDES	



LAMPING SPECIFICATIONS

	LED LAMP	INTEGRATED LED	NON LED	NO LAMP
DELIVERED LUMENS		348.0		
WATTS		11.7		
MAX WATTAGE PER BULB		11.7W		
INPUT VOLTAGE		120V 277V		
DIMMING TYPE*		ELV, TRIAC 0-10V		
CCT		3000K		
CRI		90 CRI		
LED LIFETIME		>50000		
L70				
AVERAGE BULB HOURS				
FIELD SERVICEABLE LED				
LAMP BASE		Integrated LED		
LAMP SHAPE		Integrated LED		
LAMP INCLUDED?		True		
WARRANTY**		5 Years		

* Dimming information available at www.techlighting.com/Downloads#dimming

** Visit techlighting.com for specific warranty limitations and details.

T20 / T24 / JA8 INFORMATION

	Integrated LED	Replacement LED Lamp	No Lamp *
This product can be used to comply with California Building Energy Efficiency Standards 2016 Title 24 Part 6 / JA8 .	Yes		
This product can be used to comply with California Appliance Efficiency Standards 2016 Title 20 and may be shipped to and sold in California.	N/A		

* If a light fixture or component does not include a lamp or light source, it is the responsibility of the customer to select a lamp that meets the T24 and T20 requirements.

