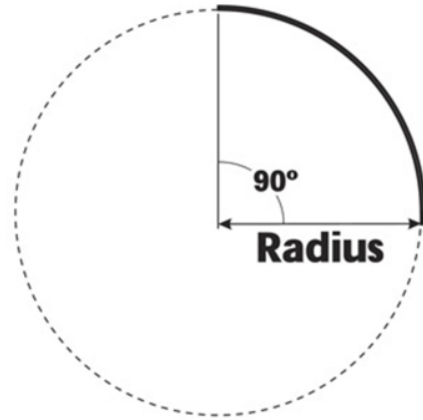
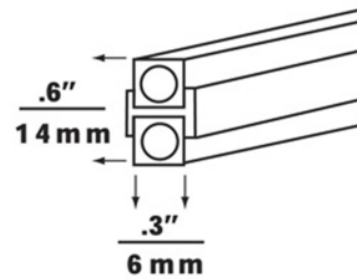


## PRODUCT FEATURES

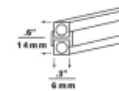
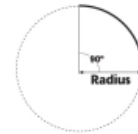


## LAMPING

Join four 90° curves to create a circle with a diameter (overall width) equal to twice the specified radius. For a factory bend not shown, please call for a custom quotation.



Satin



Satin

## ORDERING INFORMATION

700MOBH90 SHAPE OR SIZE	COLOR	FINISH
12 PRE-BENT 90° CURVE	BR BROWN	Z ANTIQUE BRONZE
18 PRE-BENT 90° CURVE	CLEAR	S SATIN NICKEL
24 PRE-BENT 90° CURVE		
36 PRE-BENT 90° CURVE		
48 PRE-BENT 90° CURVE		
60 PRE-BENT 90° CURVE		

700MOBH90 \_\_\_\_\_

JOB NAME \_\_\_\_\_

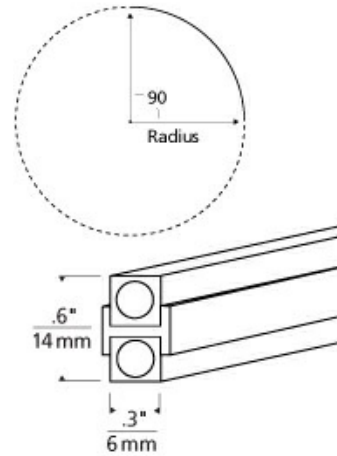
NOTES \_\_\_\_\_



# PRE-BENT 90°; CURVE MONORAIL

## SPECIFICATIONS

HARDWARE MATERIAL	
SHADE MATERIAL	
NET WEIGHT	0.21 lbs
HEIGHT	0.6in
WIDTH	0.3in
LENGTH	0in
WET LISTED	
DAMP LISTED	
DRY LISTED	
GENERAL LISTING	ETL Listed
INCLUDES	



## LAMPING SPECIFICATIONS

	LED LAMP	INTEGRATED LED	NON LED	NO LAMP
DELIVERED LUMENS				
WATTS				
MAX WATTAGE PER BULB				
INPUT VOLTAGE			0V	
DIMMING TYPE*				
CCT				
CRI				
LED LIFETIME				
L70				
AVERAGE BULB HOURS				
FIELD SERVICEABLE LED				
LAMP BASE				
LAMP SHAPE				
LAMP INCLUDED?				
WARRANTY**			1 Year	

\*Dimming information available at [www.techlighting.com/Downloads#dimming](http://www.techlighting.com/Downloads#dimming)  
 \*\* Visit [techlighting.com](http://techlighting.com) for specific warranty limitations and details.

## T20 / T24 / JA8 INFORMATION

	Integrated LED	Replacement LED Lamp	No Lamp *
This product can be used to comply with California Building Energy Efficiency Standards 2016 <b>Title 24</b> Part 6 / <b>JA8</b> .			N/A
This product can be used to comply with California Appliance Efficiency Standards 2016 <b>Title 20</b> and may be shipped to and sold in California.			N/A

\* If a light fixture or component does not include a lamp or light source, it is the responsibility of the customer to select a lamp that meets the T24 and T20 requirements.

