

Port With Canopy

700FJFCP_ 1.8



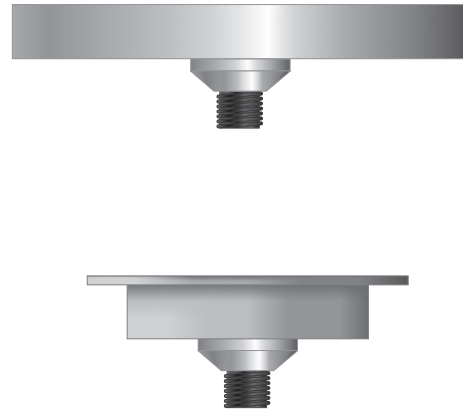
GENERAL PRODUCT INFORMATION:



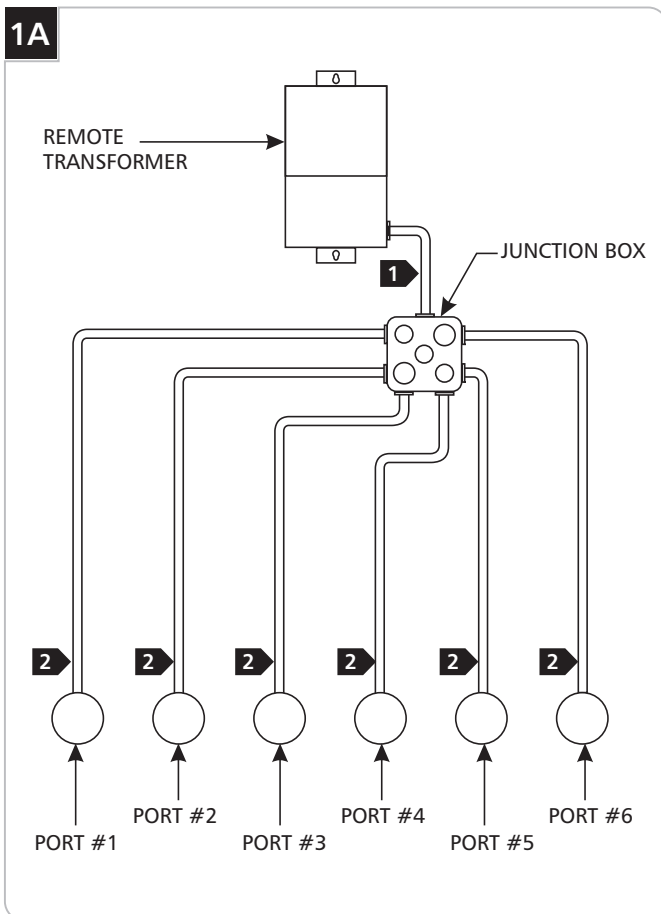
This product is suitable for indoor dry locations only.

Prior to the steps below, make sure that the remote transformer(s) and all power connections are installed according to local electrical codes.

This instruction shows a typical installation.



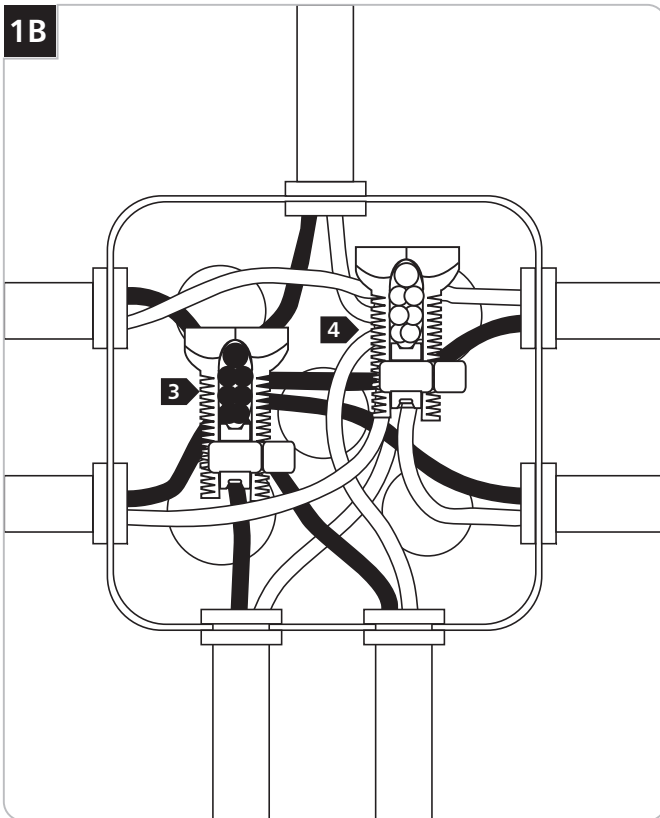
Running the Power from the Remote Transformer(s) to the Ports



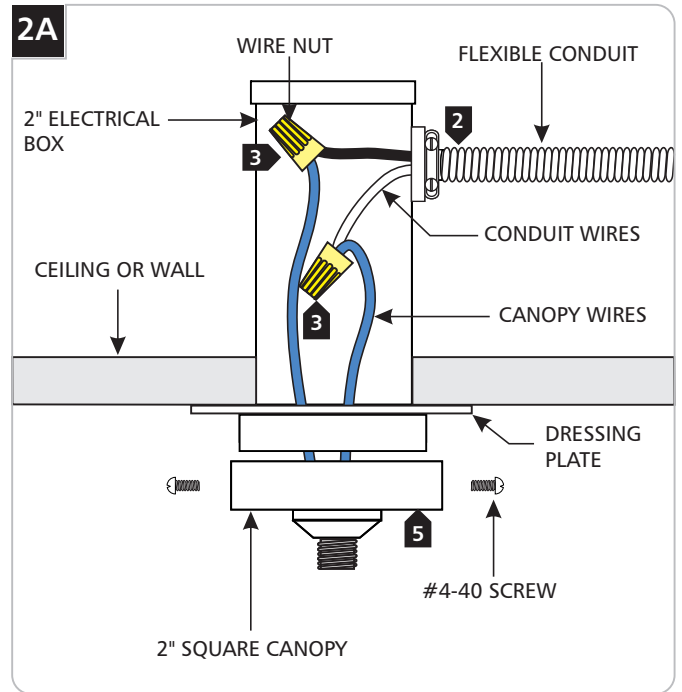
- 1** Run the power from the remote transformer to a junction box, refer to the voltage drop chart provided with the remote transformer instruction. For 600 watt remote transformer with dual circuit breakers, an electrical box for each circuit will be required.
- 2** Branch the power from the junction box to each port. For recommended wire size, refer to the chart below. **Note that each power branch should be a maximum length of 20'.**

| Transformer Voltage | Transformer Wattage | Wire Size For 20W Port | Wire Size For 50W Port | Wire Size For 75W Port |
|---------------------|---------------------|------------------------|------------------------|------------------------|
| 12V | 150W | #14 GA | #12 GA | #10 GA |
| 12V | 300W | #14 GA | #12 GA | #10 GA |
| 24V | 300W | #18 GA | #18 GA | #16 GA |

Installing the Port with 2" Square Canopy



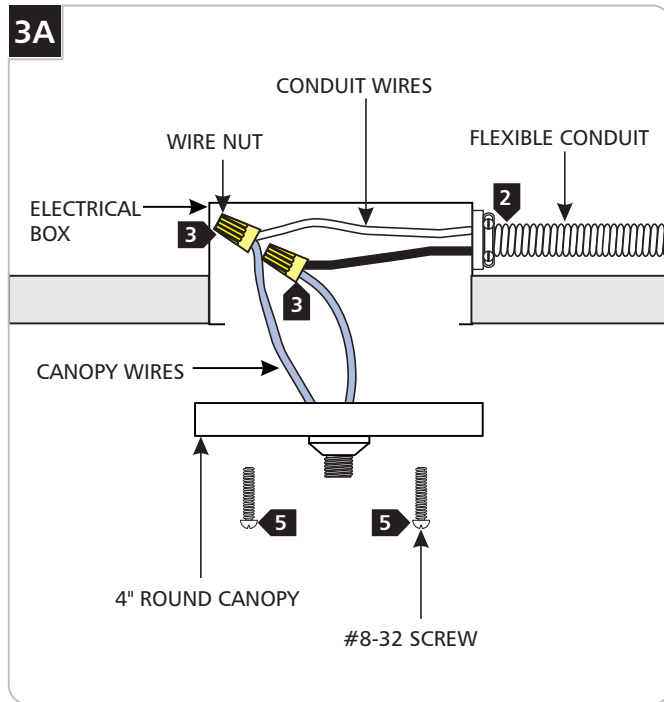
- 3** Using a split bolt connector, connect the low voltage hot wire coming from the remote transformer to each hot wire going to the ports.
- 4** Connect the low voltage common wire coming from the remote transformer to each common wire going to the ports.
- 5** Make sure that the split bolt connectors are properly insulated.



NOTE: The 2" electrical box must be installed prior to these steps. Refer to the instructions provided with the box.

- 1** Choose the location on the wall or ceiling where the port with 2" square canopy should be installed.
- 2** Connect the conduit to the electrical box.
- 3** Connect the low voltage conduit wires to the 2" square canopy wire with wire nuts.
- 4** Place all wires and wire nut connections inside the 2" electrical box.
- 5** Mount the 2" square canopy to the 2" electrical box with the two #4-40 screws.

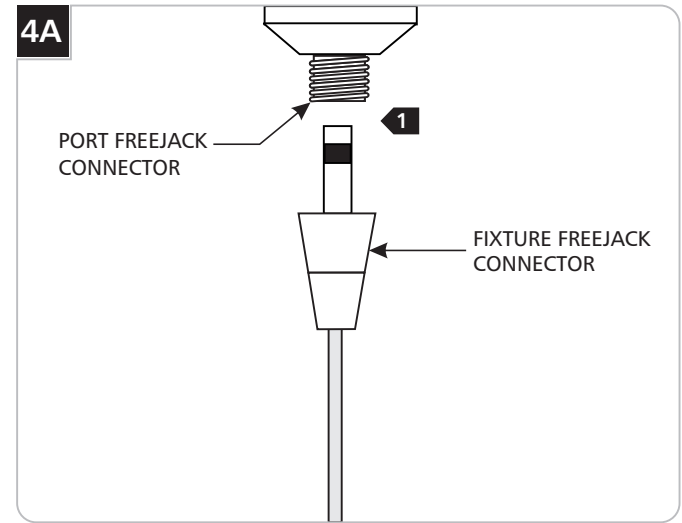
Installing the Port with 4" Round or Square Canopy



NOTE: Use the provided universal round crossbar when the canopy holes do not line up with the electrical box holes.

- 1 Choose the location on the wall or ceiling where the port with 4" round canopy should be installed.
- 2 Connect the conduit to the electrical box.
- 3 Connect the low voltage conduit wires to the 4" round canopy wire with wire nuts.
- 4 Place all wires and wire nut connections inside the electrical box.
- 5 Mount the 4" round canopy to the electrical box with the two #8-32 screws.

Connecting the FreeJack Fixture to the FreeJack Port



- 1 Tighten the fixture FreeJack connector completely into the port FreeJack connector.

SAVE THESE INSTRUCTIONS!



7400 Linder Ave, Skokie, IL 60077

847.410.4400

www.techlighting.com

© 2008 Tech Lighting, L.L.C. All rights reserved. The "Tech Lighting" graphic is a registered trademark of Tech Lighting, L.L.C. Tech Lighting reserves the right to change specifications for product improvements without notification.

A Generation Brands Company