

CHLORIDE

Symmetry Unit Equipment 6 and 12 Volt 18 to 72 Watt



INSTALLATION AND OPERATING INSTRUCTIONS

IMPORTANT SAFEGUARDS

When using electrical equipment, basic safety precautions should always be followed, including the following:

READ AND FOLLOW ALL SAFETY INSTRUCTIONS

All servicing should be performed by qualified personnel only.

Equipment should be mounted in locations and at heights where it will not be readily subjected to tampering by unauthorized personnel.

The use of accessory equipment not recommended by the manufacturer may cause an unsafe condition.

Do not use this equipment for other than intended use.

Do not let supply cords touch hot surfaces.

Do not mount near gas or electric heaters.

Caution: Halogen cycle lamp(s) are used in this equipment. To avoid shattering: Do not operate lamp in excess of rated voltage, protect lamp against

abrasion and scratches and against liquids when lamp is operating, dispose of lamp with care.

Halogen cycle lamps operate at high temperatures. Do not store or place flammable materials near lamp.

Use caution when servicing batteries. Battery acid can cause burns to skin and eyes. If acid is spilled on skin or eyes, flush acid with fresh water and contact a physician immediately.

CAUTION: To avoid electrical overload, total connected lamp load (factory and field installed) should not exceed output rating.

SAVE THESE INSTRUCTIONS

WARNING – Shut off AC power to branch circuits to which units will be connected. All wiring should be per N.E.C. Articles 501-4(b) and local codes.

To maintain warranty, equipment with batteries must be installed or placed on charge within prescribed period after shipment.

GENERAL INSTRUCTIONS

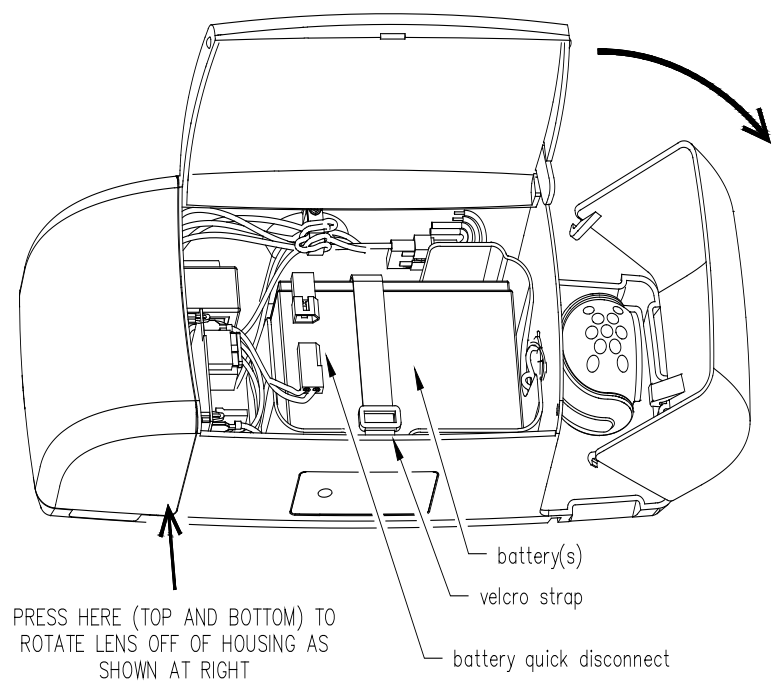
CHLORIDE

Signify North America Corporation
200 Franklin Square Drive
Somerset, NJ 08873, USA
Phone: 855-486-2216
www.chloride-lighting.com

Signify Canada Ltd./Signify Canada Ltée.
281 Hillmount Road,
Markham, ON, Canada L6C 2S3
Phone: 800-668-9008

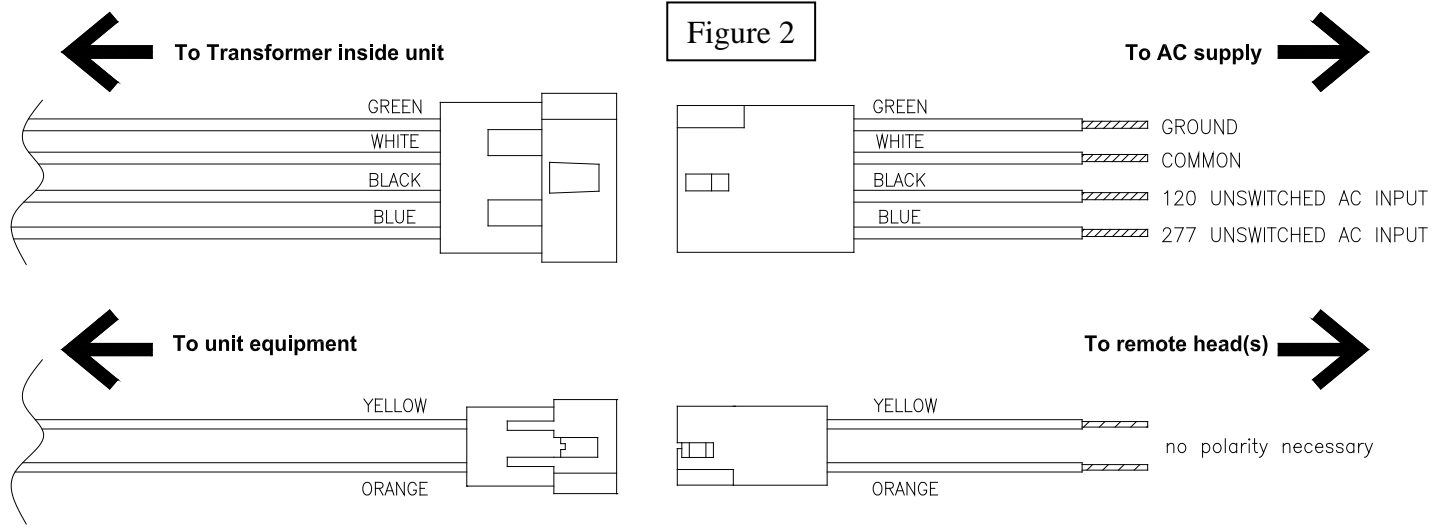
July 2018
443580498851

Figure 1



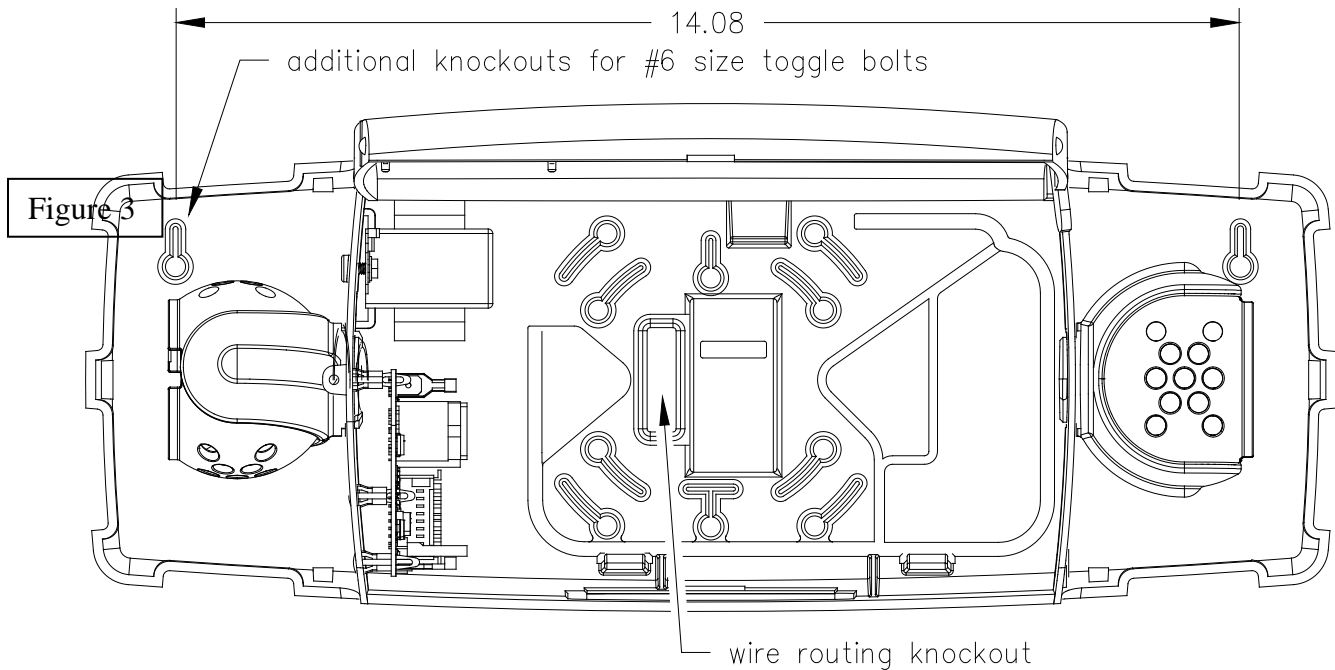
STEP 1 (see figure 1)

Expose junction box mounting pattern by loosening velcro strap over battery or batteries and removing them from the housing (leave velcro strap in the housing). A quick disconnect is provided between the electronics and batteries. Be certain that this quick disconnect is disconnected before attempting to remove batteries. If it is planned to use toggle bolts to mount unit to wall, additional knockouts intended for this purpose can be found under the lenses. These keyhole slots will accommodate #6 toggle bolts. Refer to the sketch above for instructions on removing the lenses.



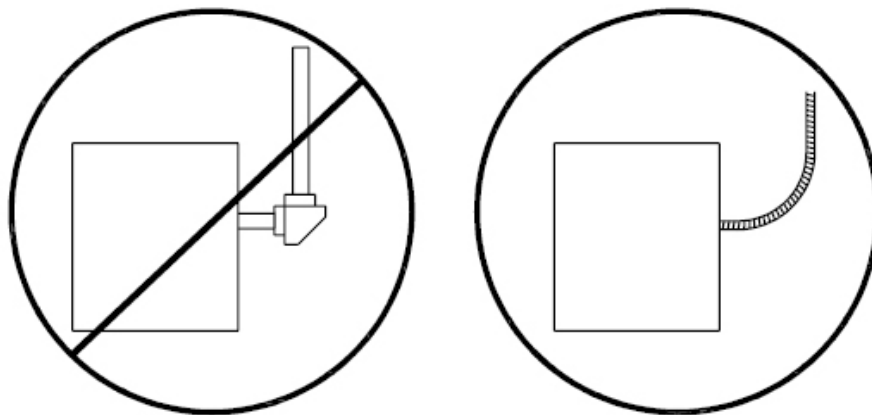
STEP 2 (see figure 2)

Locate 4 pole connector attached to transformer inside unit. Remove 6" long extension cable and wire to AC supply as shown. Unused black or blue lead must be insulated to prevent shorting. If your unit has battery capacity in excess of the wattage required by its internal lamp heads, it will be provided with a 2 pole remote lamp connector as well. Remote lamp heads used must match voltage of unit (6 or 12 volt) and the combined wattage of the internal and remote lamp heads must not exceed the rated wattage of the equipment – refer to nameplate label for maximum wattage. If unit is not used to power any remote heads, be certain to insulate the unused orange and yellow leads to prevent shorting or discard the 6" orange/yellow extension cable.



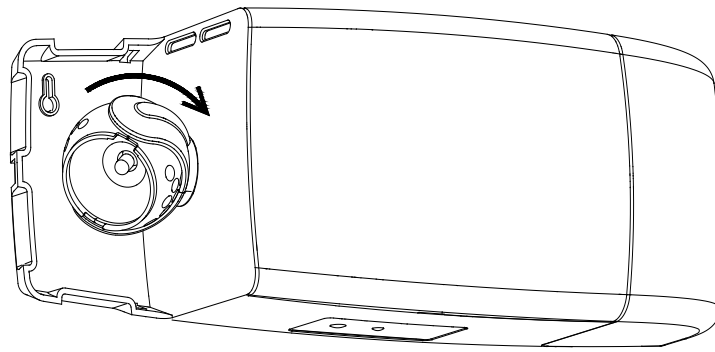
STEP 3 (see figure 3)

Remove desired knockouts for junction box or toggle bolt mounting. Also remove the larger rectangular knockout for routing of AC leads unless using the conduit knockout found on top of the housing. Mount unit to wall or ceiling using fasteners supplied with junction box or mount to wall using toggle bolts (not provided). Pull AC and remote lamp connectors through rectangular knockout and reconnect to matching wire harnesses as shown in step two. Reinstall the battery and connect the battery quick disconnect. Re-secure the Velcro battery strap to secure the battery in place. If MR-16 type lamps have been specified, they have been shipped in small individual cartons inside the larger shipping carton. They are installed by press fitting into the ceramic lamp base inside each lamp head. Energize AC supply branch circuit and refer to page 5 for operating instructions.

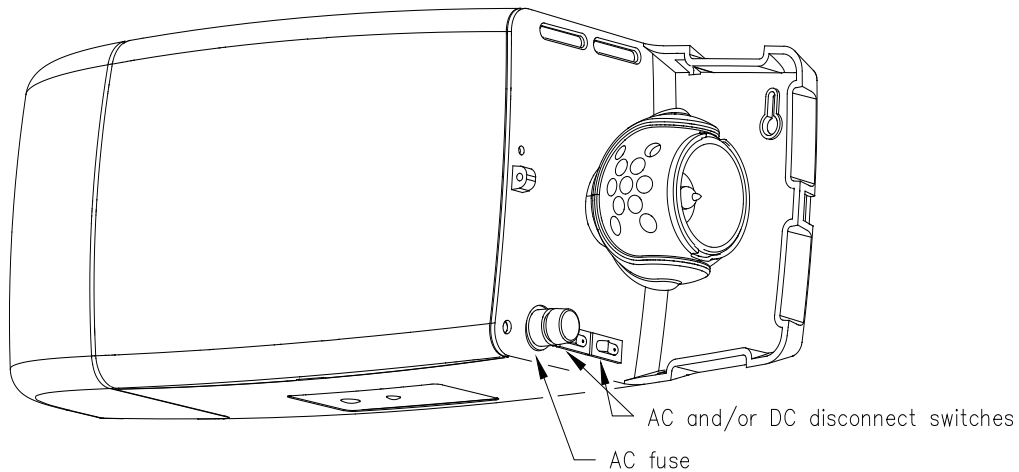


No rigid conduit – Flexible conduit only

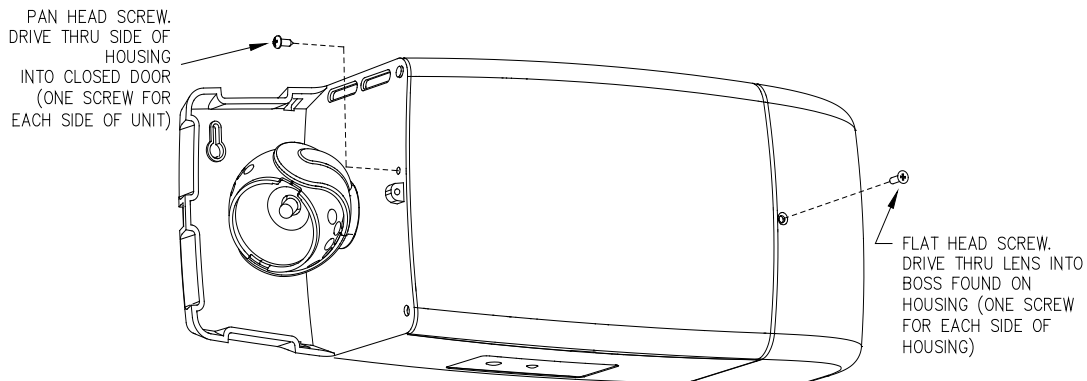
MAINTENANCE



LAMP HEAD AIMING – Remove lens covers as shown in step 1. Lamp heads may be aimed by grasping them at the base and rotating them to aim at the desired location. Lamp head only rotates approximately 135° which is enough to aim in any direction whether mounted on wall or ceiling.



AC FUSE AND AC OR DC DISCONNECT SWITCH OPTIONS – If ordered, these options can be found under the right lamp head lens.



TAMPERPROOFING – If ordered, install this option using the included screw kit which includes two flat head screws, two pan head screws and a tamperproof Torx T-15 bit.

CHLORIDE

Signify North America Corporation
200 Franklin Square Drive
Somerset, NJ 08873, USA
Phone: 855-486-2216
www.chloride-lighting.com

Signify Canada Ltd./Signify Canada Ltée.
281 Hillmount Road,
Markham, ON, Canada L6C 2S3
Phone: 800-668-9008

July 2018
443580498851

Self Diagnostic System Operation – Emergency Light or EXIT Sign Products

Normal Power Up Sequence

At power up the red and green LED indicators will alternately flash for one to two seconds. Next the product will execute a “Power Up Quick Test” causing the green LED indicator to flash rapidly. If any faults are detected during the “Power Up Quick Test” these will be evident by a flashing red LED indicator. If the audible diagnostic option has been ordered, the flashing red LED will be accompanied by a simultaneous beeping tone. **(Note: A continuous rapid alternating Red/Green flash with rapid beeping tone indicates 277V applied to 120V input lead. TURN OFF POWER IMMEDIATELY!)**

Emergency Operation

Emergency operation occurs when AC power fails. The product remains in emergency operation until AC power is restored or battery capacity is depleted. During emergency operation both red and green LED indicators are disabled.

User Interface

Green LED indicator

- Slow Flash/Continuous ON = AC power present; normal operating condition
- Rapid Flash = product performing an automatic or manually initiated diagnostic test

Red LED indicator

- Single Flash = battery fault
- Two Flashes = lamp failure (light bar failure – EXIT signs)
- Three Flashes = charger fault
- Four Flashes = transfer fault

(If more than one fault condition is present simultaneously, the red LED will flash the indication pattern for each fault independently then repeat the cycle.)






Pushbutton Test Switch

- Long Press (longer than 0.5sec) transfers product to emergency operation during time the button is pressed.
- Short Press initiates self diagnostic activities as follows:
 - One Press cancels diagnostic test presently running.
 - Two Presses starts a one minute diagnostic test.
 - Three Presses starts a 90 minute diagnostic test.
 - Four Presses conducts a lamp load calibration (emergency light products only).
 - Seven Presses initiates a system reset.

(Note: the microprocessor will allow up to seven, one minute diagnostic tests within the first 24 hours of operation. Allow 24 hours of charging before performing any long duration testing.)

Buzzer (optional)– Sounds in unison with the flashing red LED if a fault condition is present. Buzzer may be silenced for up to 196 hours by a short press of either the test switch or the optional IR remote control device “silence” button. Correcting fault condition will cancel fault notification. Lamp failure indication requires a manually activated diagnostic test after lamp replacement to cancel notification.

IR Remote Control (optional)- is a hand held device that allows remote activation of diagnostic testing and silencing of the optional buzzer during fault conditions.

 <p>SILENCE ALARM</p>  <p>1 MINUTE TEST</p>  <p>30 MINUTE TEST</p>  <p>90 MINUTE TEST</p>  <p>CANCEL</p>	<p>OPTIONAL REMOTE CONTROL</p> <p>Front</p> <p>Press appropriate button to perform the indicated test or silence the audible alarm.</p> <p>Cancel stops any test currently in process.</p>
<div style="border: 1px solid black; padding: 5px;"> <p>System Reset: Two presses of "SILENCE ALARM" button followed by two presses of "CANCEL" button.</p> <p>Interpretation of flashing indicator lights on Equipment:</p> <p>Green LED Indicator:</p> <ul style="list-style-type: none"> • Steady On - Normal • Slow Flash - Battery Charging • Fast Flash - Unit is self-testing <p>Red LED Indicator:</p> <ul style="list-style-type: none"> • Single Flash - Battery Fault • Double Flash - Lamp Failure • Triple Flash - Charger Fault • Quad Flash - Emergency Transfer Failure <p>Red and Green LED Indicators flashing together:</p> <ul style="list-style-type: none"> • Slow Flashing - Low Line Voltage • Fast Flashing - High Line Voltage <p>Unit Equipment Lamp Calibration</p> <p>Press "Silence Alarm" twice followed by one press of "Cancel" and one press of "Silence Alarm"</p> <p>For Service Call (910)259-1000</p> </div>	<p>Back</p> <p>Explanation of indicator light flash sequences.</p> <p>Refer to Table 2 above for further information.</p>