

CHLORIDE

by  Signify

Exit/Emergency

Symmetry series

Remote lamp heads



SR Series (Dual)



S Series (Single)

Project: _____
Location: _____
Cat.No: _____
Type: _____
Lamps: _____ Qty: _____
Notes: _____

Example: SRH6W

Series	Lamp Wattage/Voltage	Housing Color
SR – 6 V Symmetry Series	6 V	W – White
SR2 – 12 V Symmetry Series	H6 – 6 W Halogen Bi-Pin H7 – 7 W Halogen Bi-Pin H10 – 10 W Halogen Bi-Pin H12 – 12 W Halogen Bi-Pin	B – Black
	12 V	
	T12 – 12 W Halogen Bi-Pin H12F – 12 W Halogen MR16 Flood H20F – 20 W Halogen MR16 Flood H20S – 20 W Halogen MR16 Spot	
	12 V LED	
	M7F – 7 W MR16 LED, 35°	

Example: SH76W

S	Series	Lamp Wattage/Voltage	Backplate Color	Options
S – Symmetry Series	6 V, Tungsten T-5 Wedge Base T66 – 6 W, 6 VDC T76 – 7 W, 6 VDC T96 – 9 W, 6 VDC	12 V, Tungsten T912 – 9 W, 12 VDC T1212 – 12 W, 12 VDC T1812 – 18 W, 12 VDC	W – White B – Black	G – Gasketed for Outdoor Use ²
	6 V, Halogen T-2 Wedge Base H76 – 7 W, 6 VDC H106 – 10 W, 6 VDC H126 – 12 W, 6 VDC	12 V, Halogen T12 – 12 W, 12 VDC		
	6 V, Halogen MR11 Style MR5 – Single 5 W MR10 – Double 5 W	12 V, Halogen MR16 Style ¹ H20F – 20 W, 12 VDC H12F – 12W, 12 VDC		
		12 V LED M7F – 7 W MR16 LED, 35°		

Footnotes

¹ Halogen 20 W, 12 VDC lamp is a MR16 style.

² A form fitted gasket is supplied to be installed between the luminaire and junction box to protect against water entry. This product is not recommended for use in areas where high wind or high pressure spray washdown could occur.



SR/SR2/S Symmetry series remote lamp heads

6V, 12V

codes and standards

- UL 924 listed (SR, SR2 Series)
- NFPA 101, NEC, IBC, BOCA, and OSHA illumination standard
- Meets ADA specifications for wall mounted lighting fixtures

construction

- The product backplate is constructed of impact-resistant, UL 94 V-0, 5 VA thermoplastic.
- Thermoplastic backplate is designed to mount securely to a single gang recessed wall or ceiling junction box.
- Standard backplate finish is white and is available in black as an option.
- The textured cover (SR, SR2 Series) is UV-stabilized, impact-resistant thermoplastic.
- The SR/SR2 Series is suitable for use in damp locations only while the S Series allows for a gasketing option for outdoor use.

installation

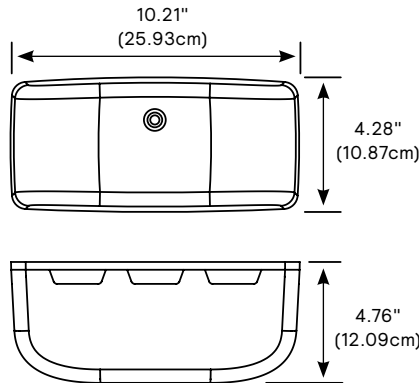
- Furnished low voltage supply wires (12") are connected at the junction box to either a 6 VDC or 12 VDC emergency power source and supplied separately.
- The backplate is secured via a universal knockout pattern to a recessed junction box (hardware supplied by others).
- Keyhole knockout slots are provided for additional support or mounting options.
- If option "G" (gasketed) is selected (S Series), additional caulking may be required around edges of the backplate to provide a proper weather seal.

lamps

- Illumination is provided by halogen or tungsten lamps and a high performance, specular parabolic reflector design which can be adjusted 180° vertically and horizontally.
- A wide variety of lamps are available to meet specific egress requirements.
- The SR/SR2 Series is available with 12 V, 7 W MR16 LED lamps.

dimensions

SR, SR2 units



S units

