

LIGHTOLIER

by  Signify

IS-SD1R

Surface Downlight

Instructions for Installation and Operation

WARNINGS

- Read all instructions before starting to install fixtures.
- Retain these instructions for future reference.
- This product is for installation indoors only.
- **DANGER - RISK OF FIRE, INJURY AND DEATH.** This fixture must be installed in accordance with local electrical codes and ordinances. All work must be done by a qualified electrician.
- **DANGER – RISK OF FIRE, INJURY AND DEATH.** Make certain power is OFF from the electrical panel before starting installation or attempting any maintenance.
- **DANGER RISK OF FIRE INJURY AND DEATH.** Do not damage insulation on wires. Do not expose wires to sharp edges or objects.
- Secure and protect incoming supply wire and any control wire with a suitable cable restraint (supplied by installer).
- Only supply voltage as labeled on the product.
- Fixture must be properly grounded.
- Do not install if any part appears to be damaged.
- This device complies with part 15 of the FCC Rules. Operation is subject to the following two conditions: (1) This device may not cause harmful interference, and (2) this device must accept any interference received, including interference that may cause undesired operation.
- Note: This equipment has been tested and found to comply with the limits for a Class B digital device , pursuant to part 15 of the FCC Rules. These limits are designed to provide reasonable protection against harmful interference in a residential installation. This equipment generates, uses and can radiate radio frequency energy and, if not installed and used in accordance with instructions, may cause harmful interference to radio communications. However, there is no guarantee that interference will not occur in a particular installation . If this equipment does cause harmful interference to radio or television reception, which can be determined by turning the equipment off and on, the user in encouraged to try to correct the interference by one or more of the following measures:
 - Reorient or relocate the receiving antenna.
 - Increase the separation between the equipment and the receiver.
 - Connect the equipment into an outlet on a circuit different for that to which the receiver is connected.
 - Consult the dealer or an experienced radio/TV technician for help.
- Conforme.CAN ICES-005 (B) / NMB-005 (B)



IS-SD1R Surface Downlight

Installation

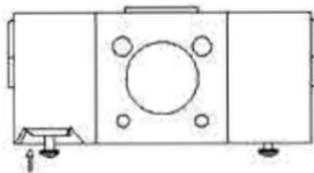
STEP 1

Confirm that there is no electrical power on the circuit where the luminaire will be connected.

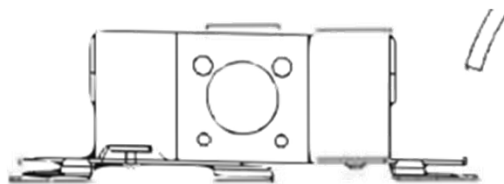
STEP 2

Install a recessed J-box (supplied by installer) flush to the finished ceiling.

STEP 3



Connect orient and attach installation mounting plate so that formed tabs are facing down. (Tabs are only provided with 11 and 14 inch luminaires.) Secure mounting plate to j-box using two 4-32 screws through keyhole slots. Attach luminaire lanyard clip to the mounting plate to temporarily support the luminaire while wiring.



IS-SD1R

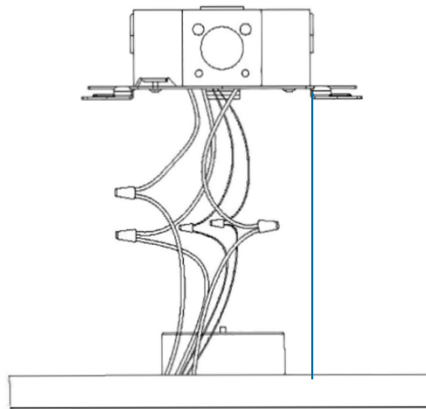
Surface Downlight

Luminaire Wiring

4

Confirm that there is no electrical power to the circuit. Pull supply wires (and dimming wires where applicable on 0-10V version) through the center opening of the mounting plate. There are two bare copper wires and these are ground wires. One is with the j-box mounting plate lead and one is with the luminaire. BOTH must be connected to a ground lead inside the j-box. Next connect the white lead to neutral (white) supply lead and then black lead to hot (black) supply lead. Connect dimming control wires as applicable. Use wire nuts provided to make connections which are rated for temperatures in contact with the luminaire.

Note: Make selection for lumen level (and color temperature where app.) BEFORE attaching luminaire to the ceiling. A switch is provided on top of luminaire driver cover.



Note: If dimming control wires (for 0-10 Volt dimming where applicable) are not used for some reason, these must be securely capped off to prevent faulty operation

IS-SD1R Surface Downlight

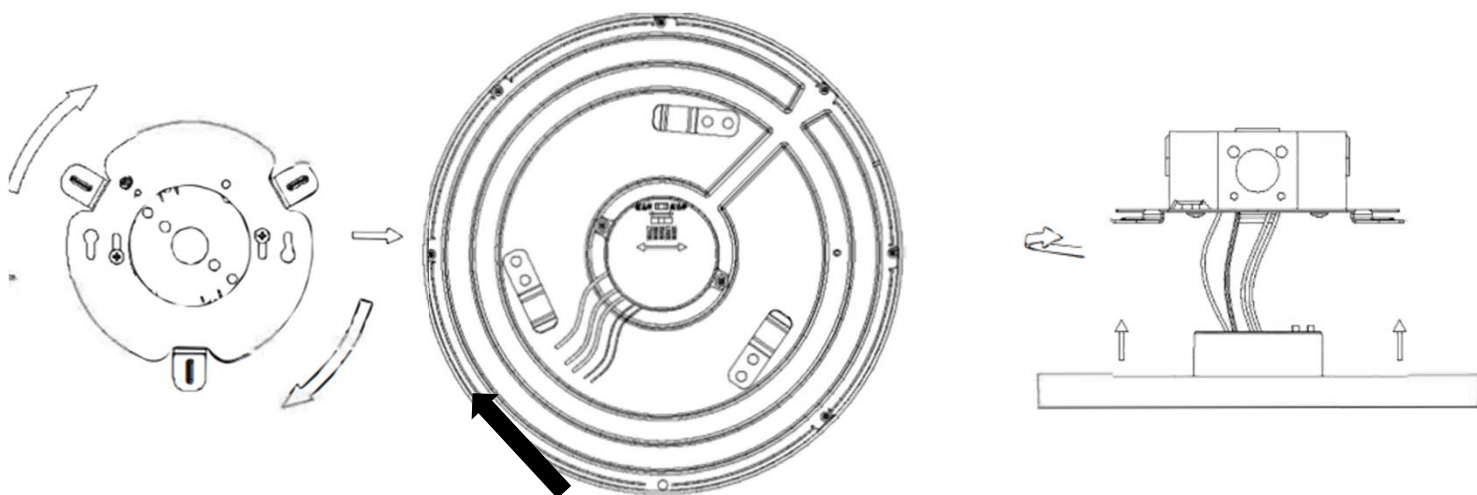
Installation

STEP 5

Carefully push the wires, wirenut splices and support cable up through the hole in the mounting plate and into the j-box. At the same time align the spring clips with mounting bracket opening and push firmly to snap into place or for 11 and 14 inch size luminaire, rotate to secure the luminaire to the mounting plate as shown.

WARNING – For 11 and 14 inch luminaires equipped with three clips to engage the mounting plate tabs, make certain that the tabs are fully engaged and “click” into place to avoid the luminaire becoming detached from the box.

WARNING – RISK OF FIRE, INJURY AND DEATH. Do not pinch any wires between parts or damage any wire insulation while installing.



Showing 11 and 14 inch size installation. Smaller sizes do not turn to engage.

CAUTION: For damp locations, a bead of caulking compound such as acrylic latex or silicone must be placed around the perimeter of mounting plate and also around the luminaire top in order to seal and keep moisture away from the outlet box and luminaire openings.

