

Instructions for Installation of Mullion Adapter

WARNING

Risk of Fire/Electric Shock

If not qualified, consult an electrician.

WARNING

Risk of Electric Shock

Disconnect power at fuse or circuit breaker before installing or servicing.

Important Safeguards

WHEN USING ELECTRICAL EQUIPMENT, BASIC SAFETY PRECAUTIONS SHOULD ALWAYS BE OBSERVED INCLUDING THE FOLLOWING.

1. READ AND FOLLOW ALL SAFETY INSTRUCTIONS
2. Do not use outdoors
3. Do not use near gas or electric heaters.
4. Do not let power supply cords touch hot surfaces.
5. Do not use this equipment for other than the intended use.
6. The use of accessory equipment not recommended by the manufacturer may cause an unsafe condition.
7. Equipment should be mounted in locations and at heights where it will not readily be subjected to tampering by unauthorized personnel.
8. Install in accordance with National Electric Code and local regulatory agency requirements Installation is to be performed only by qualified personnel.
9. DO NOT EXCEED TOTAL OUTPUT RATING of source power equipment

SAVE THESE INSTRUCTIONS

Before you Begin

- Ensure installation will be in compliance with all relevant national and local codes, including proper routing of wiring through mullion.
- Ensure your product is compatible with the mullion adapter. A standard installation is shown in Figure 1. The adapter will mate with most products that have a standard 4" junction box hole pattern.
- Ensure your mullion is sufficiently deep and thick to support the installation of your product.
- If your product is to be installed outside, ensure you have an appropriate solution for water-proofing your installation. This will include, at a minimum, water-tight conduit and a water-tight conduit fitting. Additional water proofing measure should be determined per installation and per all relevant codes.

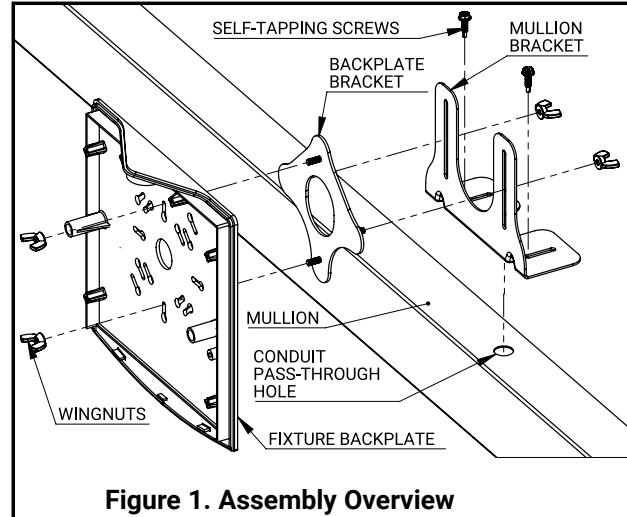


Figure 1. Assembly Overview

INSTALLATION

1. De-energize all power circuits that will be connected to the final product and any cable passing through the mullion in the vicinity of the installation site.
2. Bring power through the mullion to the fixture location using MC type cable.

Note: Ensure the proper conduit type and size is selected for intended wiring.

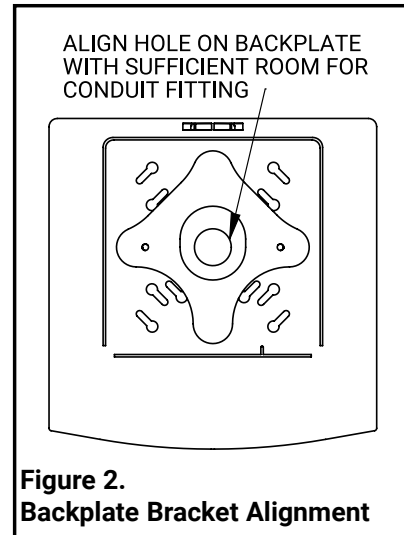
3. Adjust the positioning of the Mullion Bracket on the mullion so there is no interference between the product and the mullion. Keep the unit as close to the mullion as possible.

Note: If the product to be mounted has a removable mounting plate, it can be temporarily pre-installed onto the Backplate Bracket for assistance with positioning.

4. Secure the Mullion Bracket to the mullion using the self-tapping screws provided. Secure the screws as close to the corner of the bracket as possible, as doing so reduces total force on the screw threads. Take care not to over-tighten the screws or the threads of the hole will strip-out and be unable to secure the fixture.
5. Attach the Backplate Bracket to the Mullion Bracket and attach with wingnuts and washers. The height of the bracket can be adjusted to compensate for the size of the mounted product. Align the Backplate Bracket so that the slot is positioned as appears in Figure 2. This allows for the maximum range of adjustment.

Instructions for Installation of Mullion Adapter

6. Attach the backplate of installed product to the Backplate Bracket using wingnuts and washers installing any applicable gaskets between the Backplate Bracket and the fixture's backplate. Align the center hole of the backplate with the slot on the Backplate Bracket so that there is sufficient room for the required water-tight conduit fitting.
7. Apply any waterproofing treatment necessary to seal the mullion and the product. Ensure all wingnuts are sufficiently tightened to support the product.
8. Complete installation per the instructions of the fixture to be installed.



Warranties and Limitation of Liability

Please refer to www.cooperlighting.com/LightingWarrantyTerms for our terms and conditions.