

## Installation Instructions for the Sure-Lites SELDWTA29SD/SELDWA50SD/ ATLELDWTA100SD/ATLELDWA300SD series Emergency Light with Self Diagnostics

### **WARNING**

#### **Risk of Fire / Electric Shock**

If not qualified, consult an electrician.

### **WARNING**

#### **Risk of Electric Shock**

Disconnect power at fuse or circuit breaker before installing or servicing.

### **IMPORTANT SAFEGUARDS**

When using electrical equipment, basic safety precautions should always be observed including the following:

- READ AND FOLLOW ALL SAFETY INSTRUCTIONS
- Do not use in hazardous locations, or near gas or electric heaters.
- Do not let power supply cords touch hot surfaces.
- Use caution when servicing batteries. Battery acid can cause burns to skin and eyes. If acid is spilled on skin or in eyes, flush acid with fresh water and contact a physician immediately.
- Do not use this equipment for other than the intended use.
- Installation is to be performed only by qualified personnel.
- Install in accordance with National Electric Code and local regulatory agency requirements.
- The use of accessory equipment not recommended by the manufacturer may cause an unsafe condition.
- Equipment should be mounted in locations and at heights where it will not readily be subjected to tampering by unauthorized personnel.
- SAVE THESE INSTRUCTIONS

### **INSTALLATION**

1. De-energize the circuit at the junction box (J-box) where the emergency light is to be installed.
2. Open the emergency light by inserting a flat screwdriver in the two slots on the side of the unit, then turning to separate housing from the backplate.
3. To mount to a junction box - Knock out/drill out the appropriate mounting pattern and the wire pass hole in the backplate and the back gasket to fit the J-box being used.
4. To mount to conduit – Unscrew the ½” NPT plug located at the top of the fixture and screw in the user-supplied conduit hub.
5. Once the backplate is secured, the housing can be held in place during installation with the help of the grounding wire (see Fig. 1 next page).
6. Connect the incoming wires to the SELDWTA29SD/ SELDWA50SD/ATLELDWTA100SD/ATLELDWA300SD series power supply wires using the wire nuts provided. Connect the green grounding wire for the housing. Connect the white wire to neutral. If using 120V, connect the black wire to the hot lead. If using 277V, connect the orange wire to the hot lead. Cap the unused lead. Secure the emergency light to the wall and/or junction box using installer supplied hardware.
7. Complete the battery connection and snap the cover onto the backplate.
8. Energize AC supply. The test button should illuminate, and LED heads will illuminate briefly when the test button is pushed.
9. Adjust the heads as needed. The SELDWTA29SD/ SELDWA50SD/ATLELDWTA100SD/ATLELDWA300SD series lenses utilize a highly directional beam, and the lenses can be rotated to adjust the beams to the front or sides of the fixture (see Fig. 2 next page).

**Maximum Mounting Height for SELDWTA29SD series: 8.6 ft.**

**Maximum Mounting Height for SELDWA50SD series: 18.8 ft.**

## OPERATION

The Sure-Lites Eagle Eye Self Diagnostics is continuously monitoring your emergency fixture, and will signal any failure through the 3 color indicator LED.

### INITIAL OPERATION

When the unit is first powered up, it will go into a 24 hour fast charge, indicated by the indicator LED pulsing green. Once the unit has fully charged, it will perform a self calibration, after which the LED will change to steady green, indicating the unit is fully charged and float charging the battery to maintain readiness.

### AUTOMATIC TESTING

The unit will perform a battery capacity, lamp/LED, and charge circuit test every 30 days for 30 seconds. During this time, the indicator LED will change to a steady yellow. It will perform a full battery capacity (90 minute) test once per year. During this time, the indicator LED will change to a blinking yellow.

### MANUAL TESTING

- 10 Second "Installation" test – Press and release the test button once during fast charge (blinking green) to initiate a 10 second quick test. The sign will switch to emergency mode for 10 seconds allowing the installer to verify proper installation of the unit, and the LED indicator will turn solid yellow.
- 30 Second Test - Press and release the test button once during float charge (steady green). The indicator LED will turn steady yellow to indicate the unit is performing a 30 second test of the batteries and lamps/LEDs.
- 90 Minute Test - Press and release the test button a second time during a 30 second test (steady yellow) to change to a 90 minute test. During this test, the LED indicator will change to blinking yellow, and the circuit will perform a full battery capacity, charge circuit, and LED test.
- Cancelling Test – Press and release the test button during the 90 minute test (flashing yellow) to return the fixture to its original state (fast charge or float charge).

### LASER TEST

The SELDWTA29SD/SELDWA50SD/ATLELDWTA100SD/ATLELDWA300SD series is equipped with a Laser Test function, that allows the unit to be manually tested without the need to physically press the test button. Shining a laser pointer in the hole marked "LASER TEST" on the bottom of the unit has the same effect as a press and release of the test button.

### CLEARING FAILURE CODES

- A battery failure (LED two blink red) can be cleared by replacing the battery. Disconnecting the battery and AC power, or performing a full 90 minute discharge, will reset the error code, however, it will return if the battery is faulty.
- Charge Circuit (LED three blink red) and lamp/LED failure (LED four blink red) will clear when the unit successfully passes a manual or automatic 30 second test.

## INDICATORS

LED Off - No power to unit, emergency mode.

LED Steady Green - Unit is fully charged and is float charging the battery to maintain readiness.

LED Green Pulse - Unit is in a 24 hour fast charge of the battery.

LED Two Blink Red - Battery has failed a capacity test, or the battery is disconnected. See "Clearing Failure Codes" above.

LED Three Blink Red - Battery charge circuit has failed. See "Clearing Failure Codes" above.

LED Four Blink Red - Lamps have burned out, or on an EXIT/Combo, 50% or more of the LEDs have failed. See "Clearing Failure Codes" above.

LED Steady Yellow - 30 second test or 10 second quick test (Fast Charge only).

LED Blinking Yellow - 90 minute test

## MAINTENANCE

None required. Replace the batteries as needed according to ambient conditions. Equipment should be tested every 30 days in accordance with local codes.

NOTE: Servicing of any parts should be performed by qualified personnel. Only use replacement parts supplied by Cooper Lighting Solutions. Use of unauthorized parts may void the warranty.

CAUTION: This equipment is furnished with a sophisticated low voltage battery disconnect to protect the battery from over discharge after its useful output has been used. Allow 24 hours recharge time after installation or power failure prior to 90 minute testing.

## TROUBLE SHOOTING GUIDE

1. If LED heads or charge indicator LED does not illuminate, check the following:
2. Check AC supply – verify that unit has 24 hour AC supply.
3. Unit is shorted or battery is not connected.
4. Battery discharged. Permit unit to charge for 24 hours and then re-test.
5. If following the above trouble shooting hints does not solve your problem, contact your local Cooper Lighting Solutions representative for assistance

## ACTIVATING TIME DELAY

The SELDWTA29SD/SELDWA50SD/ATLELDWTA100SD/ATLELDWA300SD series has an integrated time delay circuit that allows them to remain in emergency mode 15 minutes after power is restored. To activate the time delay, remove the jumper on the circuit board labeled TDI/J1.

Figure 1

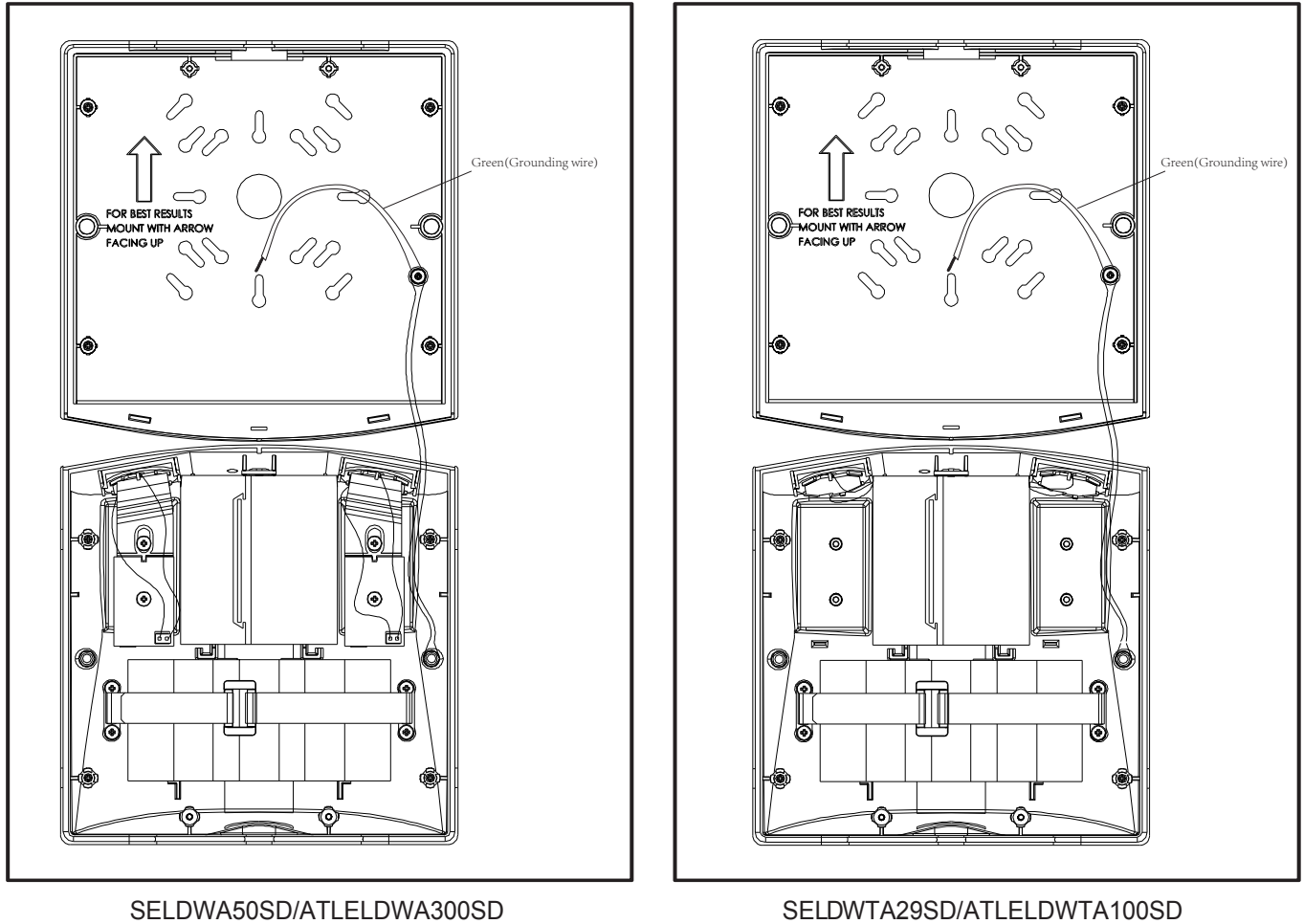
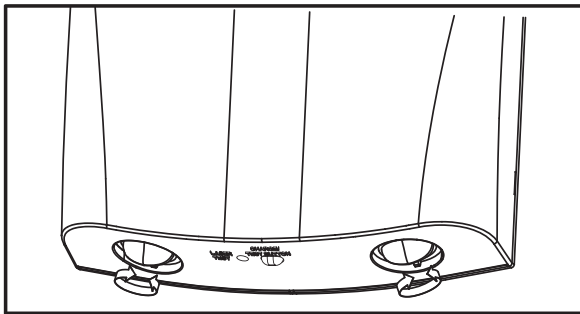
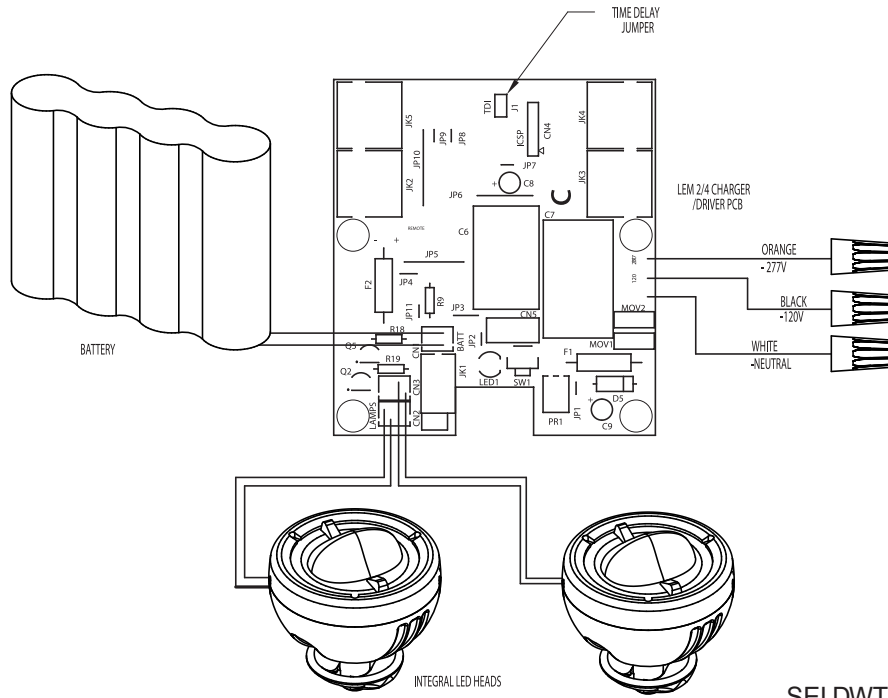


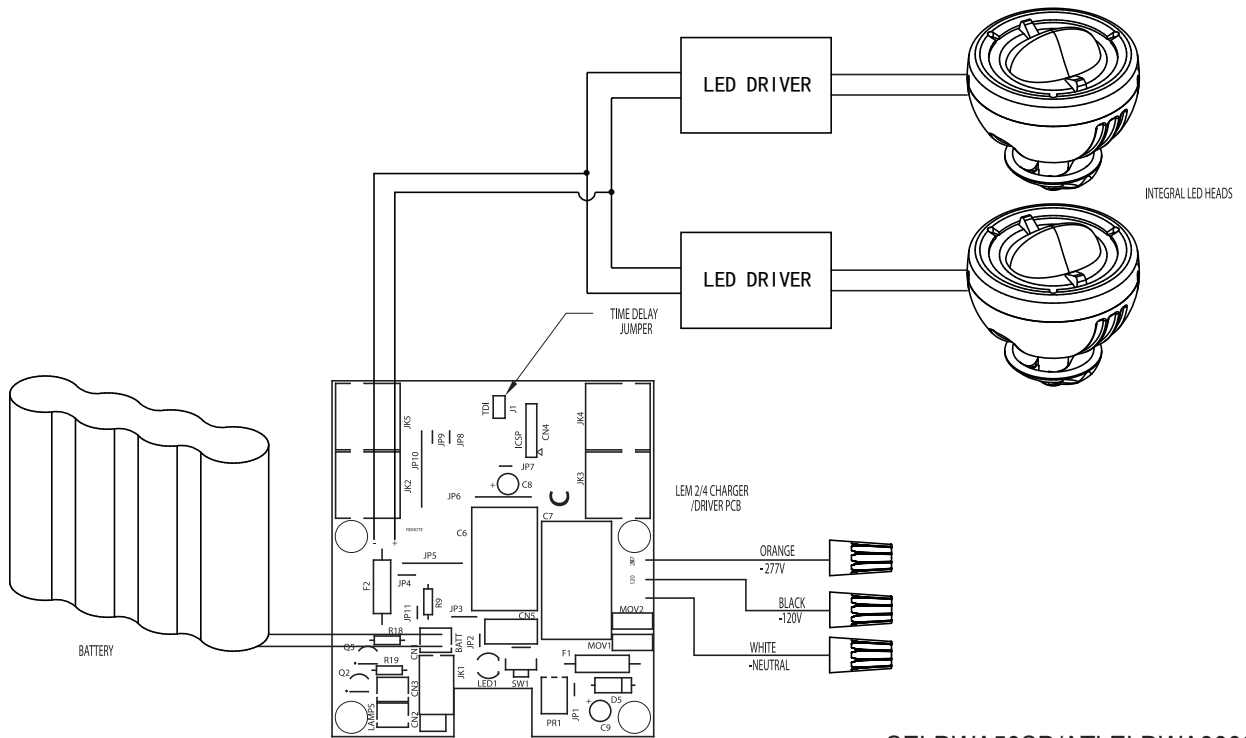
Figure 2



# SCHEMATIC



SELDWTA29SD/ATLELDWTA100SD



SELDWA50SD/ATLELDWA300SD

<b>SURE-LITES</b>  <b>Eagle Eye Self-Diagnostics</b>	OFF - EMERGENCY MODE / POWER OFF STEADY BLINK GREEN - FAST CHARGE STEADY GREEN - FULL / FLOAT CHARGE STEADY YELLOW - QUICK TEST	STEADY BLINK YELLOW - 90 MINUTE TEST 2 BLINK RED - BATTERY FAILURE 3 BLINK RED - CHARGE CIRCUIT FAILURE 4 BLINK RED - LAMP/ LED FAILURE