

Installation Instructions for the Sure-Lites LPX Combination Exit/Emergency Lights and Exits

WARNING

Risk of Fire/Electric Shock

If not qualified, consult an electrician.

WARNING

Risk of Electric Shock

Disconnect power at fuse or circuit breaker before installing or servicing.

Important Safeguards

WHEN USING ELECTRICAL EQUIPMENT, BASIC SAFETY PRECAUTIONS SHOULD ALWAYS BE OBSERVED INCLUDING THE FOLLOWING.

- 1 READ AND FOLLOW ALL SAFETY INSTRUCTIONS
- 2 Do not use outdoors.
- 3 Do not use in hazardous locations, or near gas or electric heaters.
- 4 Do not let power supply cords touch hot surfaces.
- 5 Do not use this equipment for other than the intended use.
- 6 Installation is to be performed only by qualified personnel.
- 7 Install in accordance with National Electric Code and local regulatory agency requirements.
- 8 The use of accessory equipment not recommended by the manufacturer may cause an unsafe condition.
- 9 Equipment should be mounted in locations and at heights where it will not readily be subjected to tampering by unauthorized personnel.
- 10 SAVE THESE INSTRUCTIONS

MAX MOUNTING HEIGHT:

17.24 FT

WALL MOUNT INSTALLATION

- 1 Extend unswitched 24 hour AC supply of rated voltage to junction box (by others). Leave at least 18 inches of slack. Circuit should not be energized at this time.
- 2 Remove the stencil face and lens assembly by applying a screwdriver to the snaps located at the top and bottom of the stencil face.
- 3 Knock out the appropriate mounting pattern and wire pass hole to match junction box. Use the integrated wire hook in the backplate to hold the wires in place so that there is no shadowing on the face of the sign (see Figure 1).
- 4 Connect power supply and ground in accordance with local codes. Wire connections as follows: 277VAC/240VAC

line to Orange lead or 120V line to Black lead; Neutral or 240V (Common) to white lead (see schematic). Cap unused line lead.

Note: Connections must be the enclosure rated area of the frame (top left corner) or junction box (see Figure 1).

- 5 Mount to junction box.
- 6 Determine which color sign face is needed. If red is needed, proceed to step 9.
- 7 If green is the desired color, remove the red lens from the stencil and replace it with the green lens provided. (Installation is the reverse of removal.)
- 8 On the LED circuit board, locate the red/green jumper (See Schematic). The jumper should be in the red position per the silk screen printing on the board. Pull gently upward on the jumper, then shift it one pin over to activate the green LEDs.
- 9 If the unit has remote capacity, LED remotes can be connected using the violet (+) and yellow (-) wires. (See Schematic).
- 10 Energize AC supply, LED display will come on.
- 11 Replace the stencil cover assembly.
- 12 Remove EZ Key to connect battery. Battery will not charge with EZ key in place. Allow 24 hours for charging with 120 or 277V input, 48 hours with 240V input.

CEILING OR END MOUNT INSTALLATION

- 1 Extend unswitched 24 hour AC supply of rated voltage to junction box (by others). Leave at least 18 inches of slack. Circuit should not be energized at this time.
- 2 Remove the stencil face and lens assembly by applying a screwdriver to the snaps located at the top and bottom of the stencil face.
- 3 If mounting the canopy to the top, remove the canopy hole cover plate on the top. If locating the canopy on the side, first remove the left side head by disconnecting the LED lamp wires from the PCB (see Schematic) and gently pulling on the head mount (see Figure 2). The head may now be mounted in one of the 3 locations on the top (see Figure 2). The center top mounting point can be accessed by removing the cover. The left and right top mounting points can be accessed by removing the small knock outs. The left side head can also be moved to the top, to make the fixture symmetric. Cover the unused holes with the

Installation Instructions for LPX Combination Exit/Emergency Lights and Exits

- canopy hole cover plates.
- 4 If double face sign is required, convert the single face sign supplied. Replace back plate with extra stencil and color sheet supplied with the sign.
 - 5 Place the canopy nose through the mounting hole until the side of the frame touches the canopy. Lock the frame onto the canopy by sliding the frame in a direction parallel to the canopy length toward the narrow end of the mounting hole. Slide the frame until both snaps engage the canopy nose preventing any motion back out of the hole.
 - 6 Mount mounting strap to junction box by choosing proper slots and using screws provided.
 - 7 Feed the wires through the canopy.

Note: Connections must be the enclosure rated area of the frame (top left corner) or junction box (see Figure 1).
 - 8 Connect power supply and ground in accordance with local codes. Wire connections as follows: 277VAC/240VAC line to Orange lead or 120V line to Black lead; Neutral or 240V (Common) to white lead. Ground to Green screw on mounting strap. Cap unused line lead.
 - 9 Connect the canopy to the mounting strap using the screws provided.
 - 10 Determine which color sign face is needed. If red is needed, proceed to step 13.
 - 11 If green is the desired color, remove the red lens from the stencil(s) and replace it with the green lens provided. (Installation is the reverse of removal.).
 - 12 On the LED circuit board, locate the red/green jumper (See Schematic). The jumper should be in the red position per the silk screen printing on the board. Pull gently upward on the jumper, then shift it one pin over to activate the green LEDs.
 - 13 If the unit has remote capacity, LED remotes can be connected using the violet (+) and yellow (-) wires. (See Schematic).
 - 14 Energize AC supply, LED display will come on.
 - 15 Replace stencil, colored lens.
 - 16 Remove EZ Key to connect battery. Battery will not charge with EZ key in place. Allow 24 hours for charging with 120 or 277V input, 48 hours with 240V input.

Figure 1

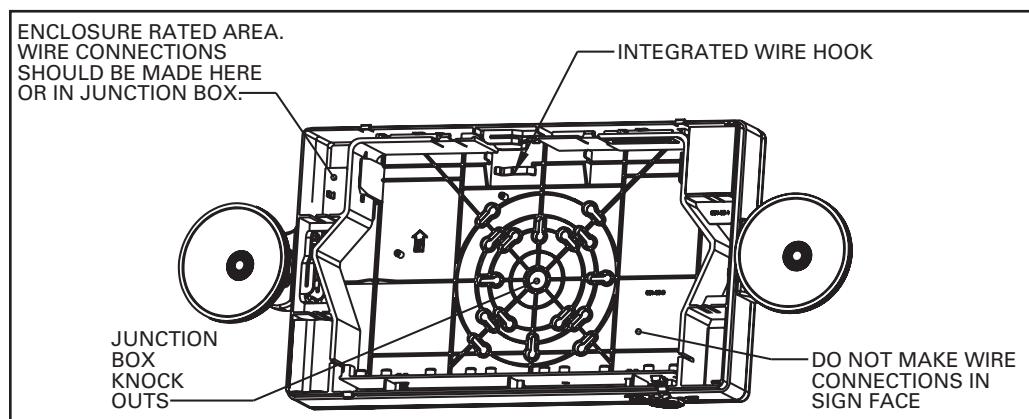
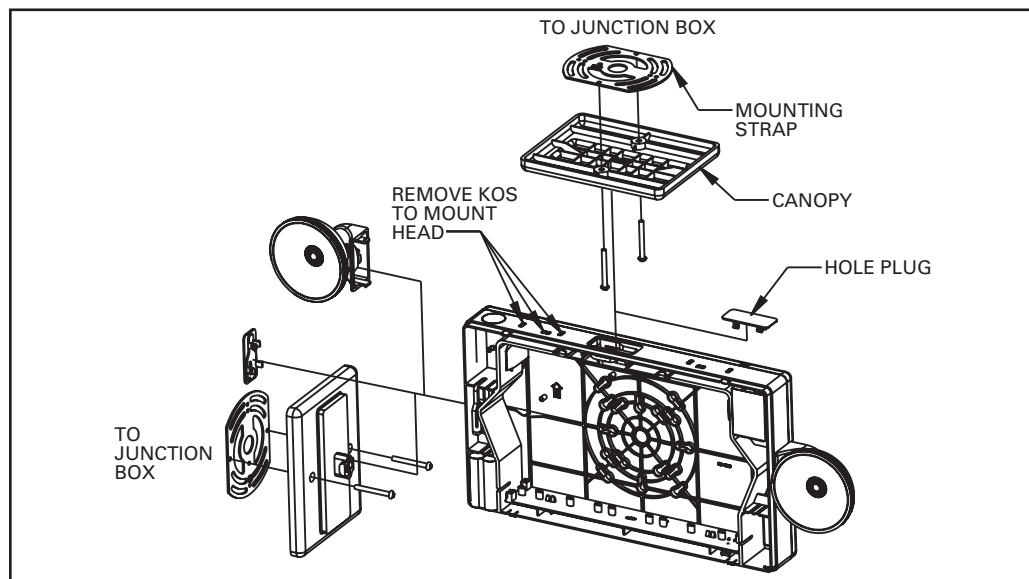


Figure 2



Installation Instructions for LPX Combination Exit/Emergency Lights and Exits

MAINTENANCE

None required. Replace the batteries as needed according to ambient conditions. However, we recommend that the equipment be tested regularly in accordance with local codes.

NOTE: Servicing of any parts should be performed by qualified personnel. Only use replacement parts supplied by Cooper Lighting Solutions'.

CAUTION: This equipment is furnished with a sophisticated low voltage battery dropout circuit to protect the battery from over discharge after its useful output has been used. Allow 24 hours recharge time if connected to 120 or 277V, 48 hours with 240V, after installation or power failure for 90 minute testing.

TROUBLE SHOOTING GUIDE

If LED display or charge indicator LED does not illuminate, check the following:

- Check AC supply – verify that unit has 24 hour AC supply.

If LEDs do not light in emergency mode but Charge indicator LED is on before test:

- Unit is shorted or battery is not connected.
- Battery discharged. Permit unit to charge for 24 hours (120 or 277V) or 48 hours (240V) and then re-test.

If following the above trouble shooting hints does not solve your problem, contact your local Cooper Lighting Solutions representative for assistance.

WARRANTIES AND LIMITATION OF LIABILITY

Please refer to www.cooperlighting.com for our terms and conditions.

Schematics

