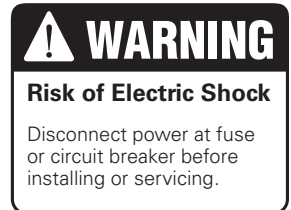
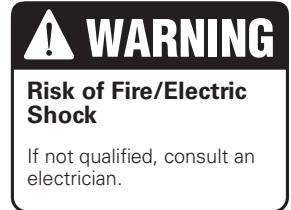


Installation Instructions for EBP700X and EBP700F

IMPORTANT SAFEGUARDS

WHEN USING ELECTRICAL EQUIPMENT, BASIC SAFETY PRECAUTIONS SHOULD ALWAYS BE OBSERVED INCLUDING THE FOLLOWING:

1. **READ AND FOLLOW ALL SAFETY INSTRUCTIONS**
2. Do not use outdoors.
3. Do not mount near gas or electric heaters.
4. Equipment should be mounted in locations and at heights where it will not readily be subject to tampering by unauthorized personnel.
5. The use of accessory equipment not recommended by Sure-Lites may cause an unsafe condition.
6. Do not use this equipment for other than its intended purpose.
7. **SAVE THESE INSTRUCTIONS**



- Note 1.** To prevent high voltage from being present on the output terminals (red/white, red, and yellow), do not connect the test button indicator light to the EBP until Step 7 of the installation instructions.
- Note 2.** This product is for use with most 2' through 8' (13W-215W single and bipin fluorescent lamps including energy saving, circline, U-shaped and biax. For specific lamp compatibility, please see the table later in the instructions.
- Note 3.** Make sure all of the connections are in accordance with the National Electrical Code and any local regulations.
- Note 4.** To reduce the risk of electrical shock, disconnect both normal and emergency power supplies and the test button indicator light (which disconnects the battery) before servicing.
- Note 5.** This emergency ballast is for factory or field installation in the ballast channel.
- Note 6.** This product is for use in indoor fixtures. This product is not intended for use near air handling heated air outlets or in wet or hazardous locations.
- Note 7.** An unswitched AC power source is required (120, 240, or 277 volts).
- Note 8.** Do not attempt to service the battery. A sealed, no-maintenance battery is used that is not field replaceable. Contact the manufacturer for information on service.
- Note 9.** Servicing should be performed by qualified service personnel.

**For use in temperature rating
20°C to 55°C**



EBP700X



EBP700F

CONTAINS NICKEL-CADMIUM RECHARGEABLE BATTERY. MUST BE RECYCLED OR DISPOSED OF PROPERLY. Ni - Cd

INSTALLATION

WARNING: TO PREVENT HIGH VOLTAGE ON RED / WHITE, RED, AND YELLOW OUTPUT TERMINALS PRIOR TO INSTALLATION, THE TEST BUTTON / INDICATOR LIGHT MUST BE DISCONNECTED. CONNECT THE TEST BUTTON / INDICATOR LIGHT AFTER INSTALLATION.

Note: Make sure that the necessary branch circuit wiring is available. An unswitched source of power is required.

Step 1. Disconnect AC power from the fixture. Remove the ballast channel cover and install the emergency ballast either in the ballast channel (see illustrations 1 & 2) or on top of the fixture (see illustration 3 / EBP700X only).

ILLUSTRATION 1

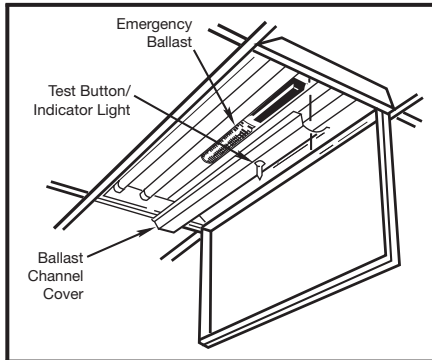


ILLUSTRATION 2

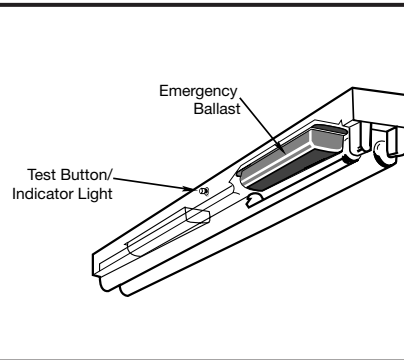
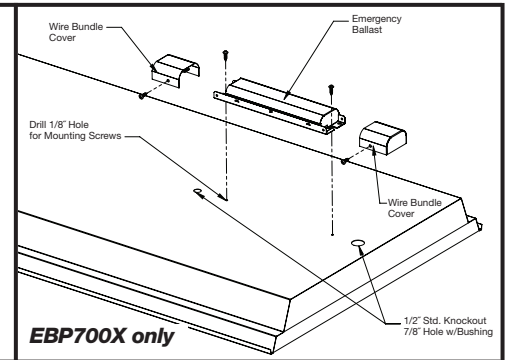


ILLUSTRATION 3



Step 2. Select the appropriate wiring diagram to connect the emergency ballast to the AC ballast and lamp. Make sure all connections are in accordance with the National Electrical Code and any local regulations. (See Illustrations 4 and 5 for terminals).

ILLUSTRATION 4

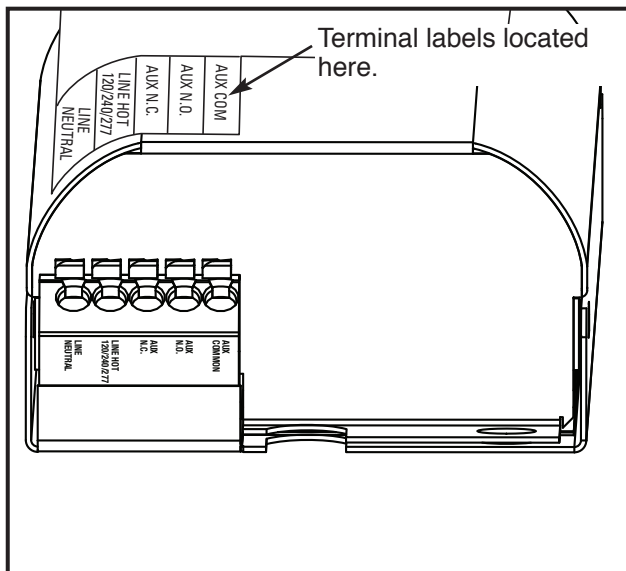
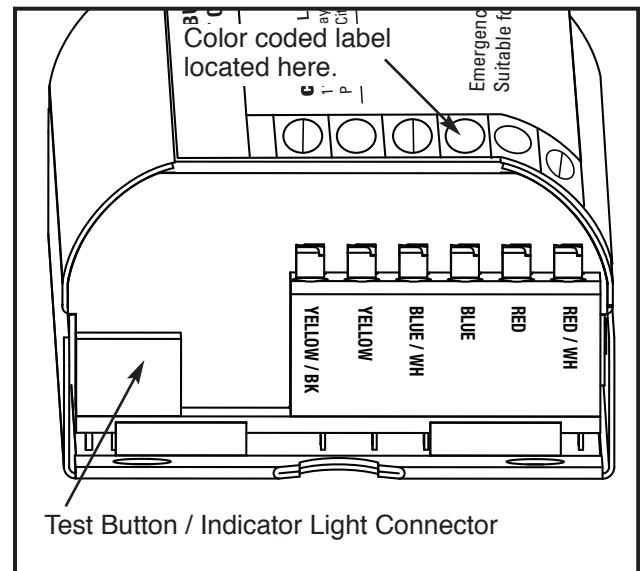


ILLUSTRATION 5



Step 3. Refer to proper lamp compatibility table for the HIGH (Red) or Low (Red / White) connection per the lamp being illuminated by the emergency ballast.

Lamp Compatibility Tables

Lamp Type	Number of Lamps	Lamps Connected to Low/High (Red) Output	Wattage
T5	1	HIGH (RED)	13-21
T5	1	LOW (RED / WHITE)	28-35
T5HO	1	LOW (RED / WHITE)	24-54
T5,T9 CIRC	1	LOW (RED / WHITE)	22-55
T8	1	HIGH (RED)	15-32
T8	1	LOW (RED / WHITE)	36-59
T8HO	1	LOW (RED / WHITE)	48-86
T8U	1	HIGH (RED)	16-32
T12	1	HIGH (RED)	20-40
T12	1	LOW (RED / WHITE)	56-75
T12HO	1	LOW (RED / WHITE)	25-110
T12VHO	1	LOW (RED / WHITE)	95-215
BIAX	1	HIGH (RED)	18-40
BIAX	1	LOW (RED / WHITE)	55
T5	2	HIGH (RED)	6
T5	2	LOW (RED / WHITE)	13-28
T5HO	2	LOW (RED / WHITE)	24-54
T8	2	HIGH (RED)	15-32
T8HO	2	LOW (RED / WHITE)	48
T8U	2	LOW (RED / WHITE)	16-32
T12	2	LOW (RED / WHITE)	20-40
T12HO	2	LOW (RED / WHITE)	25-95
BIAX	2	HIGH (RED)	18

ILLUSTRATION 6

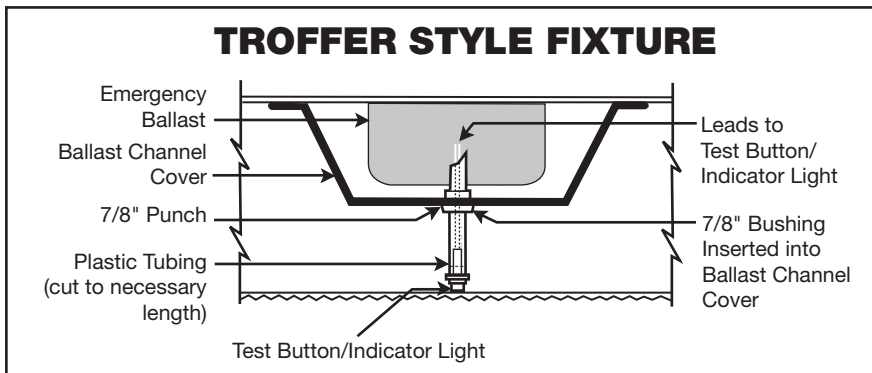
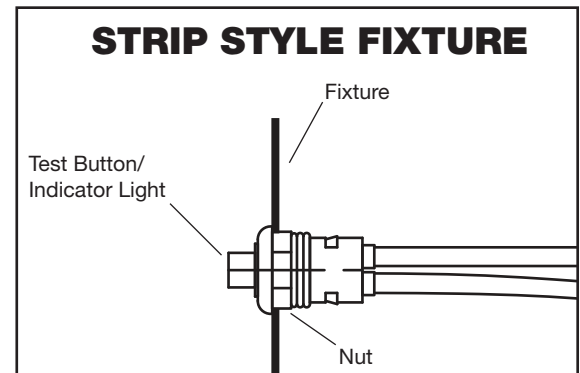


ILLUSTRATION 7



- Step 4.** Install the test button / indicator light through the ballast channel cover of a troffer (Illustration 1 & 6) or through the side of a strip fixture (Illustration 2 & 7). Drill or punch a 7/8" hole to install the test button / indicator light as shown in illustration 6. Drill or punch a 1/2" hole to install the test button / indicator light as shown in illustration 7. Install the test button / indicator light as shown in the selected illustration. Apply the two included labels ("Charging Indicator Light" and "Emergency Light Push to Test") adjacent to the test button indicator light.
- Step 5.** In a readily visible location, attach the included label "CAUTION – This unit Has More Than One Power Connection Point. To Reduce The Risk Of Electric Shock, Disconnect Both The Branch Circuit-Breakers Or Fuses and the Test Button / Indicator Light Before Servicing".
- Step 6.** In an area readily visible during relamping, attach the included relamping label. Write in the lamp type and wattage.
- Step 7.** After installation is complete, connect the test button / indicator light, and supply AC power to the emergency ballast, and replace covers while being careful not to pinch wires.
- Step 8.** A short term discharge test may be conducted after the emergency ballast has been charging for one hour. Charge for 24 hours before conducting a long – term discharge test. Refer to OPERATION.

OPERATION:

When AC power is applied, the charging indicator light is illuminated, indicating the battery is being charged. When power fails, the emergency ballast automatically switches to emergency power, operating one or two lamps at reduced illumination for at least 90 minutes.

MAINTENANCE:

Although no routine maintenance is required to keep the emergency ballast functional, it should be checked periodically to comply with local codes. The following schedule is recommended:

- Step 1.** Visually inspect the charging light monthly. It should be illuminated
- Step 2.** Test the emergency operation of the fixture at 30 day intervals for a minimum of 30 seconds. Depending on installation, one or two lamps should operate at reduced illumination.
- Step 3.** Conduct a 90 – minute discharge test once a year. Depending on installation, one or two lamps should operate at reduced illumination for at least 90 minutes.

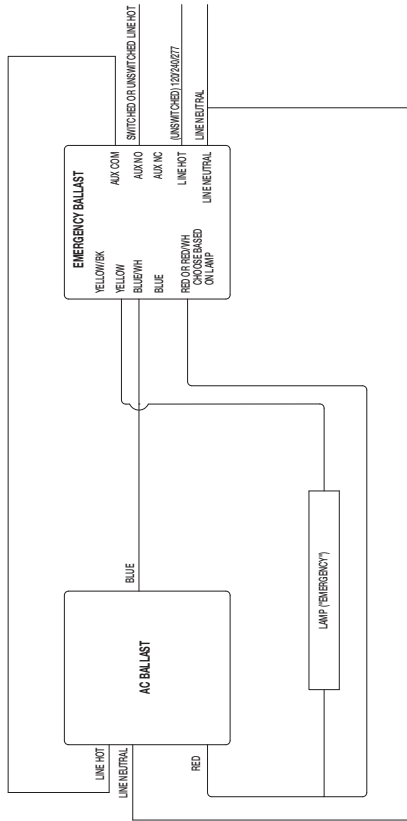
Refer any service requirements indicated by these checks to qualified personnel.

Note: After installing the test button / indicator light, mark it with the appropriate label.

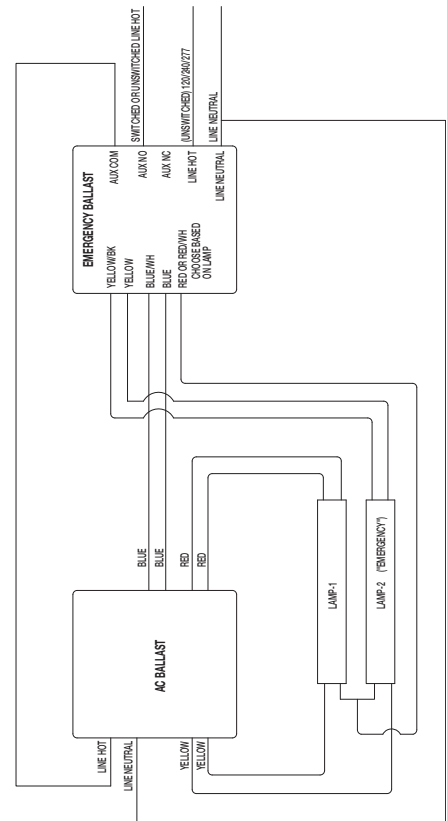
WIRING DIAGRAMS FOR 1-LAMP EMERGENCY OPERATION

TYPICAL SCHEMATICS ONLY. MAY BE USED WITH OTHER BALLAST. CONSULT THE FACTORY FOR OTHER WIRING DIAGRAMS

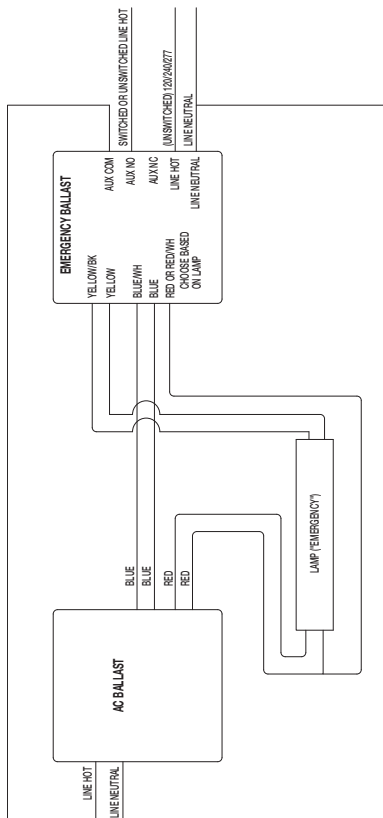
1 LAMP INSTANT START



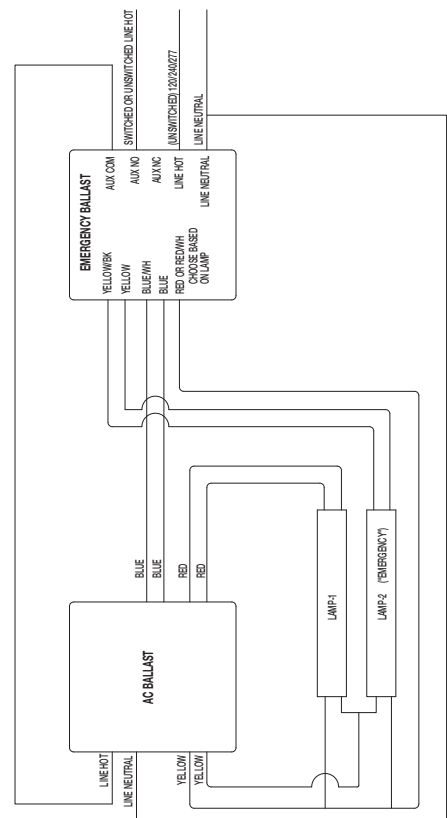
2 LAMP RAPID START SERIES LAMP SERIES YELLOW FILAMENT



1 LAMP RAPID START



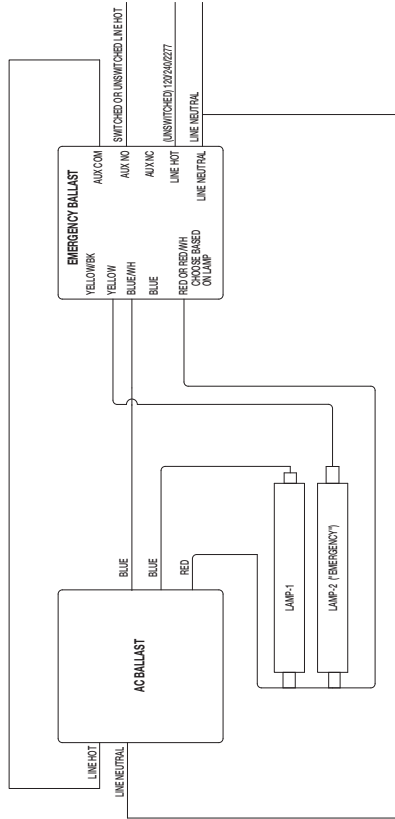
2 LAMP RAPID START SERIES / PARALLEL LAMP PARALLEL YELLOW FILAMENT



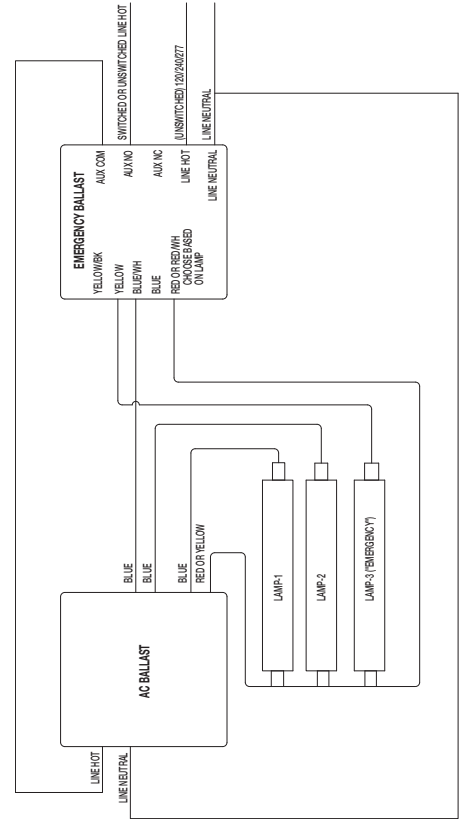
WIRING DIAGRAMS FOR 1-LAMP EMERGENCY OPERATION

TYPICAL SCHEMATICS ONLY. MAY BE USED WITH OTHER BALLAST. CONSULT THE FACTORY FOR OTHER WIRING DIAGRAMS

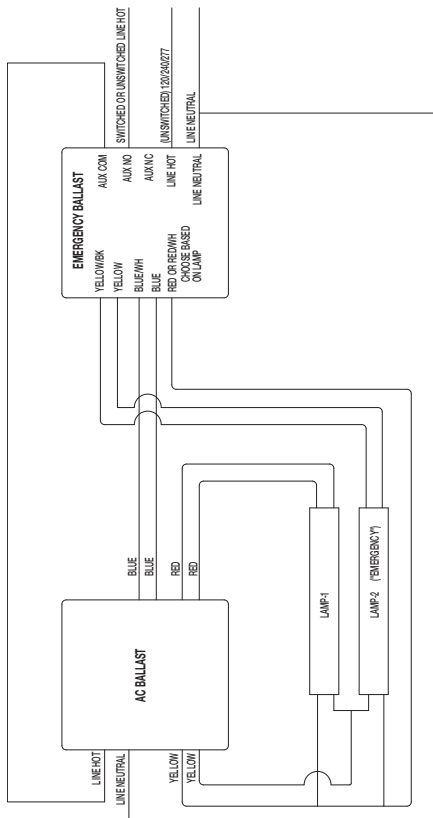
2 LAMP INSTANT START



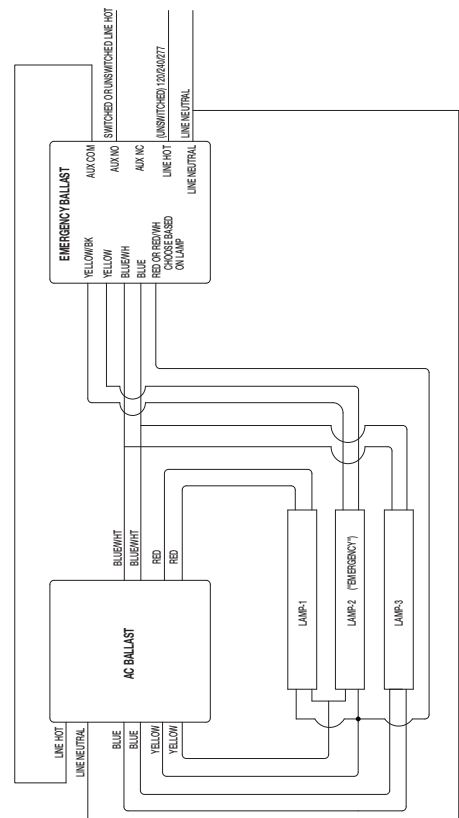
3 LAMP INSTANT START



2 LAMP RAPID START OSRAM SYLVANIA SERIES LAMP PARALLEL YELLOW FILAMENT



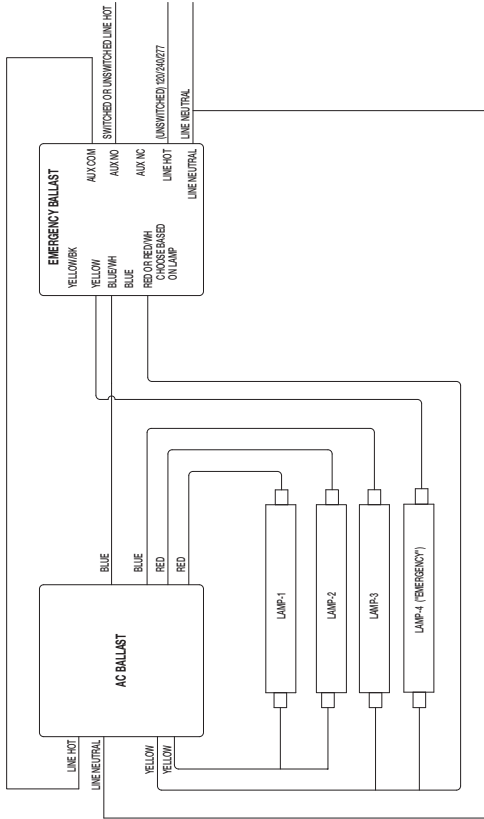
3 LAMP RAPID START SERIES LAMP PARALLEL YELLOW FILAMENT



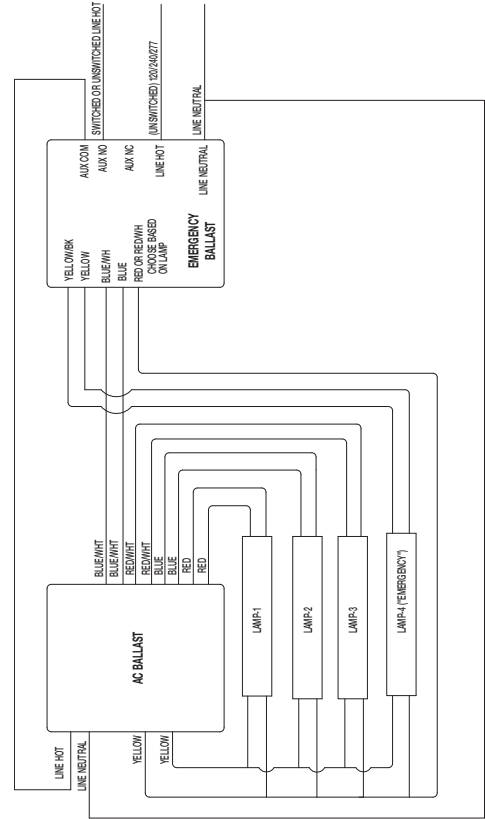
WIRING DIAGRAMS FOR 1-LAMP EMERGENCY OPERATION

TYPICAL SCHEMATICS ONLY. MAY BE USED WITH OTHER BALLAST. CONSULT THE FACTORY FOR OTHER WIRING DIAGRAMS

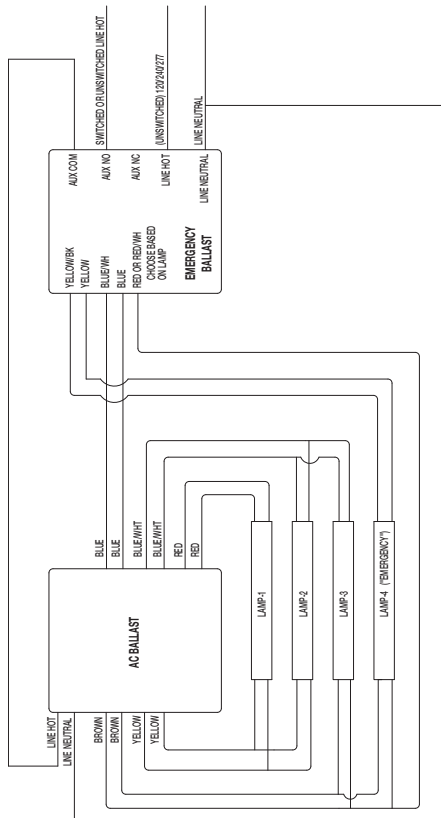
4 LAMP INSTANT START



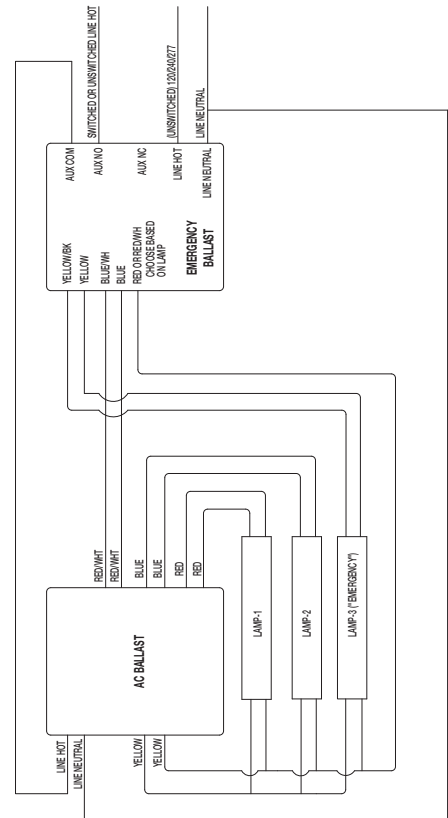
4 LAMP RAPID START PARALLEL LAMP PARALLEL YELLOW FILAMENT



4 LAMP RAPID START SERIES LAMP PARALLEL YELLOW FILAMENT



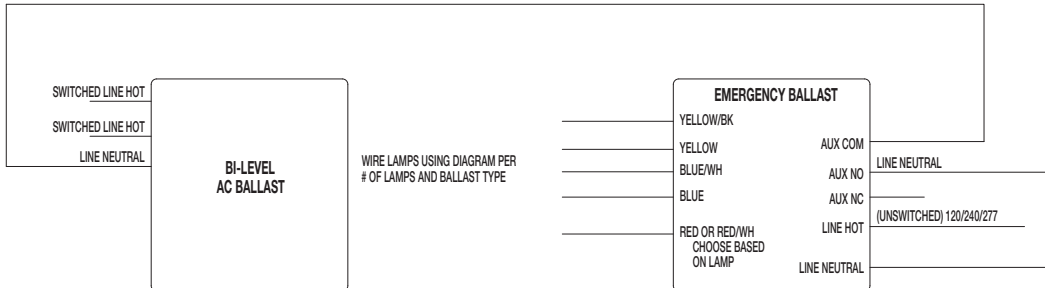
3 LAMP RAPID START PARALLEL LAMP PARALLEL YELLOW FILAMENT



WIRING DIAGRAMS FOR 1-LAMP EMERGENCY OPERATION

TYPICAL SCHEMATICS ONLY. MAY BE USED WITH OTHER BALLAST. CONSULT THE FACTORY FOR OTHER WIRING DIAGRAMS

BI LEVEL BALLAST



WIRE LAMPS USING DIAGRAM PER # OF LAMPS AND BALLAST TYPE

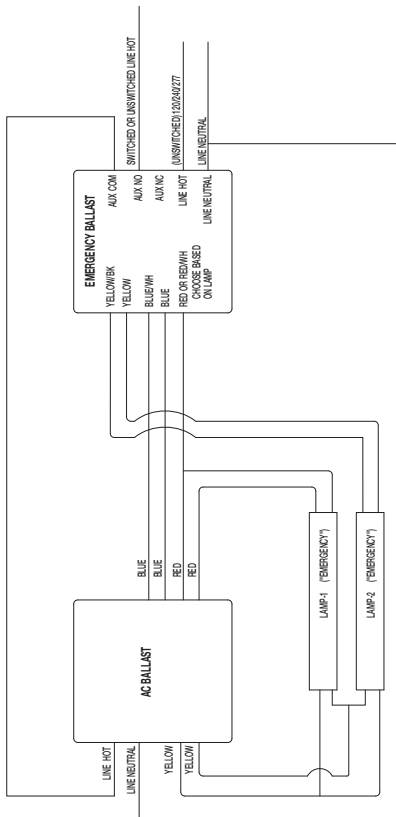
When using the auxillary relay to switch the neutral line, the Emergency and A.C. ballasts must be on the same branch circuit.

WIRING DIAGRAMS FOR 2-LAMP EMERGENCY OPERATION

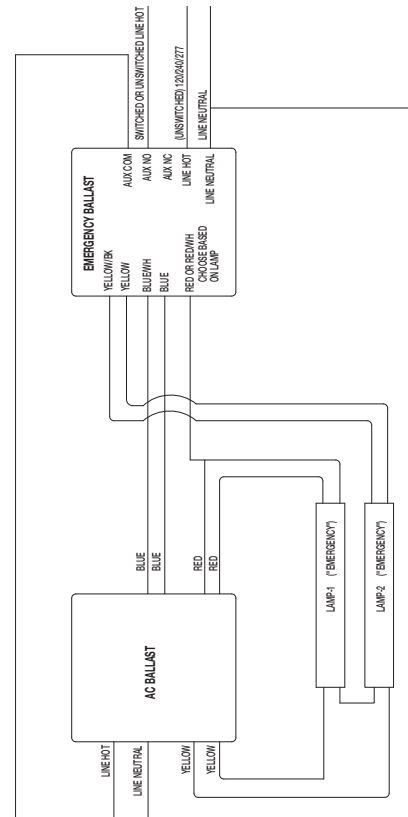
FOR OPTIMUM LAMP LIFE, COOPER LIGHTING SOLUTIONS SOLUTIONS RECOMMENDS WIRING FOR SINGLE LAMP EMERGENCY OPERATION. WHILE CAPABLE OF 2 LAMP EMERGENCY OPERATION, NOT ALL AC BALLASTS ARE COMPATIBLE WITH 2 LAMP EMERGENCY OPERATION.

TYPICAL SCHEMATICS ONLY. MAY BE USED WITH OTHER BALLAST. CONSULT THE FACTORY FOR OTHER WIRING DIAGRAMS

2 LAMP RAPID START SERIES / PARALLEL LAMP PARALLEL YELLOW FILAMENT



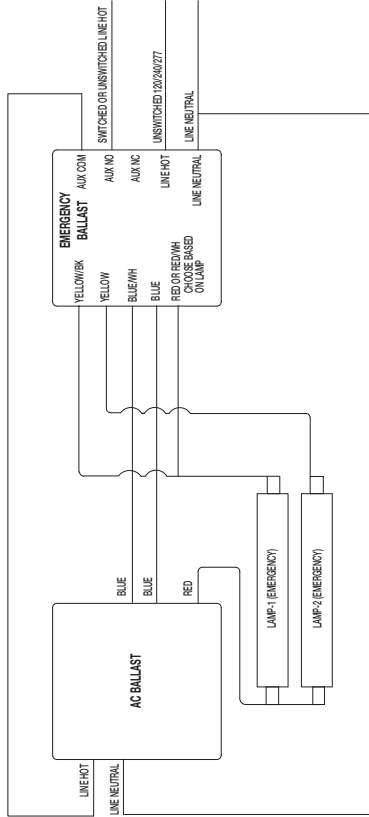
2 LAMP RAPID START SERIES LAMP SERIES YELLOW FILAMENT



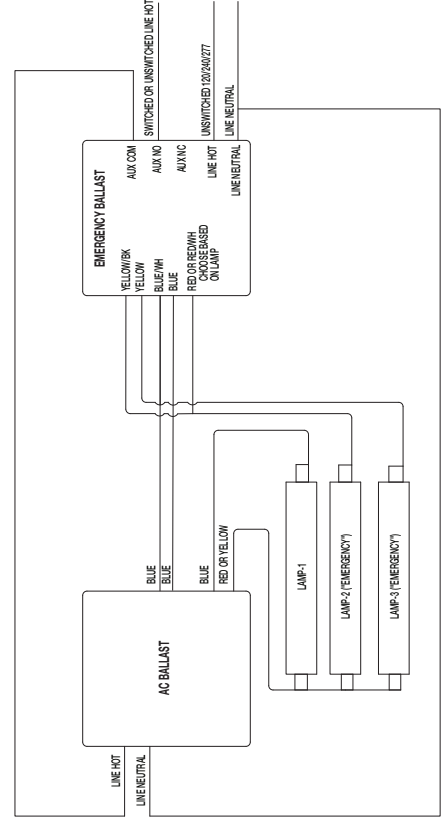
WIRING DIAGRAMS FOR 2-LAMP EMERGENCY OPERATION

FOR OPTIMUM LAMP LIFE, COOPER LIGHTING SOLUTIONS RECOMMENDS WIRING FOR SINGLE LAMP EMERGENCY OPERATION. WHILE CAPABLE OF 2 LAMP EMERGENCY OPERATION, NOT ALL AC BALLASTS ARE COMPATIBLE WITH 2 LAMP EMERGENCY OPERATION. TYPICAL SCHEMATICS ONLY. MAY BE USED WITH OTHER BALLAST. CONSULT THE FACTORY FOR OTHER WIRING DIAGRAMS

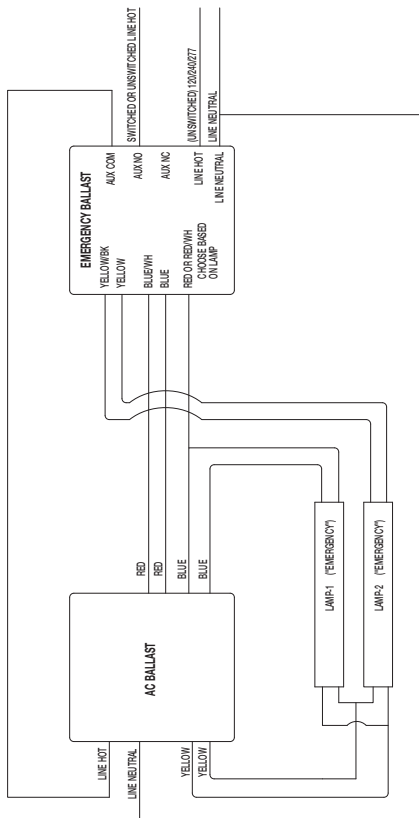
2 LAMP INSTANT START



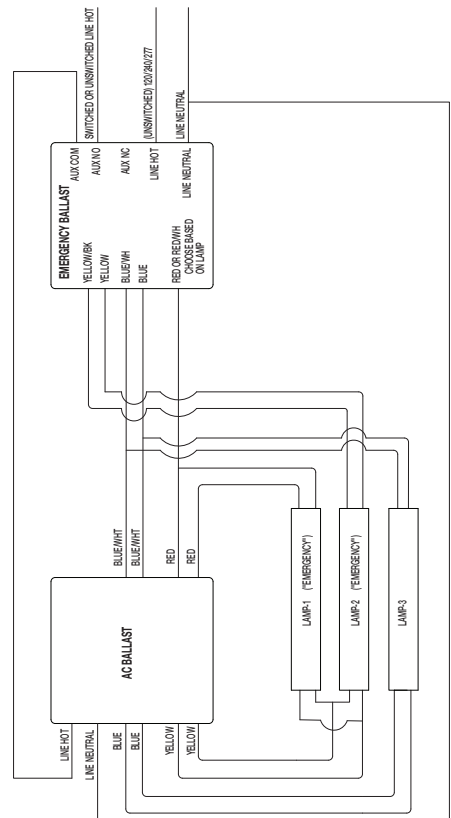
3 LAMP INSTANT START



2 LAMP RAPID START OSRAM SYLVANIA SERIES LAMP PARALLEL YELLOW FILAMENT



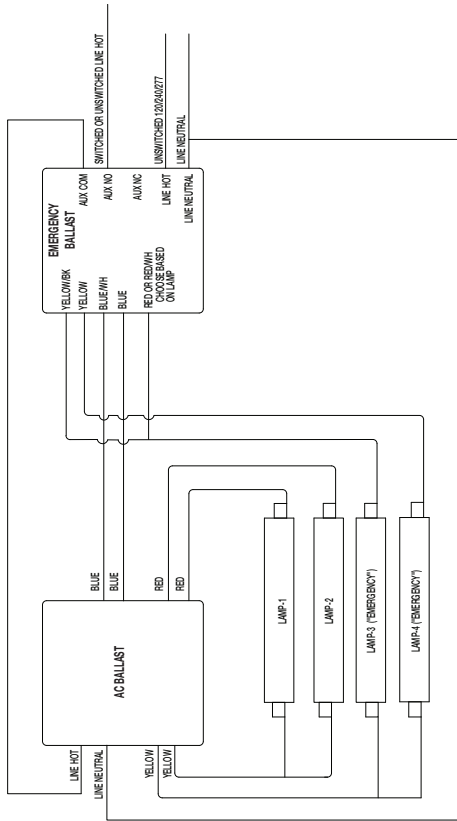
3 LAMP RAPID START SERIES LAMP PARALLEL YELLOW FILAMENT



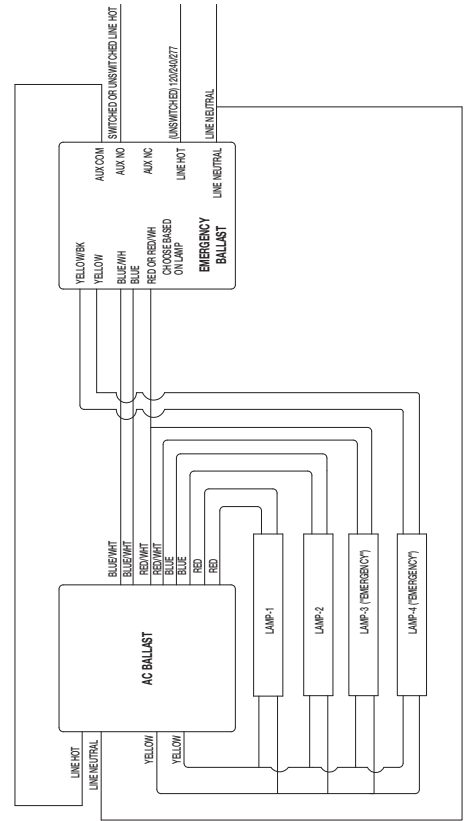
WIRING DIAGRAMS FOR 2-LAMP EMERGENCY OPERATION

FOR OPTIMUM LAMP LIFE, COOPER LIGHTING SOLUTIONS SOLUTIONS RECOMMENDS WIRING FOR SINGLE LAMP EMERGENCY OPERATION. WHILE CAPABLE OF 2 LAMP EMERGENCY OPERATION, NOT ALL AC BALLASTS ARE COMPATIBLE WITH 2 LAMP EMERGENCY OPERATION. TYPICAL SCHEMATICS ONLY. MAY BE USED WITH OTHER BALLAST. CONSULT THE FACTORY FOR OTHER WIRING DIAGRAMS

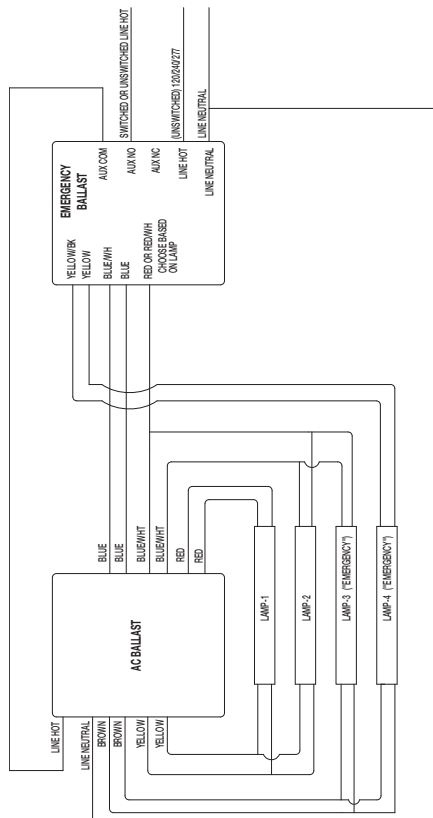
4 LAMP INSTANT START



4 LAMP RAPID START PARALLEL LAMP PARALLEL YELLOW FILAMENT



4 LAMP RAPID START SERIES LAMP PARALLEL YELLOW FILAMENT



3 LAMP RAPID START PARALLEL LAMP PARALLEL YELLOW FILAMENT

