

DESCRIPTION

The Traditionaire™ luminaire displays the old-fashioned charm of traditional area lighting, enhancing any setting with a distinctive styling. UL listed and CSA certified for wet locations.

As a decorative luminaire, the Traditionaire luminaire tastefully complements the architectural and environmental design of parks and roadways.

Catalog #		Type
Project		
Comments		Date
Prepared by		

SPECIFICATION FEATURES

Construction

HOUSING + COVER: Hinged (stainless steel hinge pins) die-cast aluminum housing and cover with cupola. 3G vibration tested to ensure strength of construction and longevity in application.

Optical

REFRACTOR: The injection-molded acrylic refractor panels are precisely designed utilizing a combination of refractive and reflective prisms to create Type II or Type V distributions while maintaining a consistent exterior form. High efficiency refractive optical systems constructed of lighting grade acrylic ensures long lasting optical clarity and resistance to the gradual discoloration that results from exposure to sunlight.

Electrical

LED DRIVER: Assembly incorporates quick disconnects for ease of installation and maintenance. **LED LIGHT ENGINE:** Solid State LED engine provides even and uniform illumination without the pixilation common to LED applications. Thermal management incorporates both conduction and natural convection to transfer heat rapidly away from the LED source and retain optimal efficiency and light output. The LED replacement module is backwards compatible with existing Traditionaire luminaire installations enabling retrofit opportunities. Traditionaire is suitable for -30°C to 40°C. Traditionaire LED system maintains a greater than 70% initial lumen output after 50,000 hours. Shipped standard with Cooper Lighting Solutions proprietary circuit module to withstand 10kV of transient line surge. The Traditionaire LED system also includes a standard three position tunnel type compression terminal block.

Mounting

Self-aligning pole-top fitter fits 3" O.D. pole tops or vertical tenons. Square headed 1-1/4" polymer coated mounting bolts with a lock nut.

Finish

Cast components finished in a super-durable black TGIC polyester powder coat paint, 2.5 mil nominal thickness for superior protection against fade and wear. Optional colors include: bronze, grey and white. RAL and custom color matches available.

Warranty

Five-year warranty.

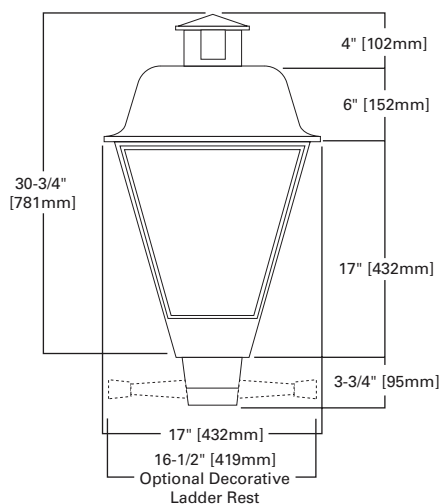


UTR TRADITIONAIRE LED

Solid State LED

DECORATIVE POST TOP
LUMINAIRE

DIMENSIONS



CERTIFICATION DATA

40°C Ambient Temperature Range
UL and cUL
LM79/LM80 Compliant

EPA

Effective Projected Area:
2.3 Sq. Ft.

SHIPPING DATA

Approximate Net Weight:
37 lbs. (17 kgs.)

ORDERING INFORMATION

Sample Number: UTR080LEDEU22

Product Family	Lumen Package	Source Type	Ballast Type	Voltage	Distribution
UTR=Traditionaire	080=080 Series	LED=Solid State Light-Emitting Diodes	E=Electronic	U=Universal (120-277V)	22=Type II 55=Type V
Options (Add as Suffix)		Accessories (Order Separately)			
4=Internal NEMA Photocontrol Receptacle W=20" #10 Leads P=Polycarbonate Lens Panels S=Snap Latches for Tool-less Light Replacement U=UL/CSA Listed E=Factory Installed Cupola Cover with Cast Aluminum Eagle J=Factory Installed Ladder Rest 8030=80 CRI/3000K CCT 2L=Two Circuit ¹ SH=Street Side / House Side Switching Capable ¹ AP=Grey BZ=Bronze WH=White		TA1BK=Decorative Ladder Rest for Field Installation OA1222=10kV Surge Module Replacement UTR 50EU=5000 Lumen LED Replacement Module with 120-277V Universal Driver UTR 50EU2L=5000 Lumen LED Replacement Module with 120-277V Universal Driver and Bi-level Switching Capable ¹ UTR 50EUSH=5000 Lumen LED Replacement Module with 120-277V Universal Driver and Street-Side/House-side Switching Capable ¹			

NOTE: 1 Not available with terminal block.