

DESCRIPTION

The Traditionaire™ luminaire displays the old-fashioned charm of traditional area lighting, enhancing any setting with a distinctive styling. UL listed and CSA certified for wet locations.

As a decorative luminaire, the Traditionaire luminaire tastefully complements the architectural and environmental design of parks and roadways.

Catalog #		Type
Project		
Comments		Date
Prepared by		

SPECIFICATION FEATURES

Construction

HOUSING + COVER: Hinged (stainless steel hinge pins) die-cast aluminum housing and cover with cupola. Standard color is black polyester powder coat. Other finish colors available. Consult your Streetworks representative. 1" ANSI wattage/source label.

Optical

REFRACTOR: Injection molded acrylic refractor panels.

Electrical

SOCKET: Mogul-base porcelain socket. (70-150W Pulse Start is medium-base socket standard).
BALLAST: Ballast assembly with encapsulated starter (where used). Tunnel type compression terminal lugs.

Mounting

Self-aligning pole-top fitter fits 3" O.D. pole tops or vertical tenons. Square headed 1-1/4" polymer coated mounting bolts with a lock nut.

Finish

Standard polyester powder coat finish in black. For more color options see optional color or consult your Streetworks representative for more information. Options to meet Buy American and other domestic preference requirements.

Efficiency Standards Notice

Select luminaires are manufactured to USA and California efficiency regulations.



UTR TRADITIONAIRE

70 - 250W

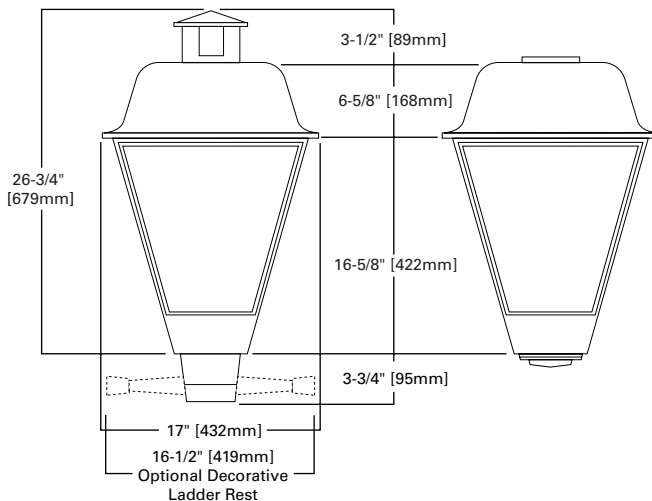
Pulse Start Metal Halide

50 - 250W

High Pressure Sodium

DECORATIVE LUMINAIRE

DIMENSIONS



EPA

Effective Projected Area:
2.3 Square Feet

SHIPPING DATA

Approximate Net Weight:
37 lbs. (17 kgs.)



ORDERING INFORMATION

Sample Number: UTR50SR2554

Product Family	Lamp Wattage	Lamp Type ³	Ballast Type ^{3,4}	Voltage ³	Distribution
UTR =Traditionaire BAA-UTR =Traditionaire Buy American Act Compliant ⁹ TAA-UTR =Traditionaire Trade Agreements Act Compliant ⁹	Pulse Start Metal Halide ¹ 70=70W 10=100W 15=150W 17=175W 25=250W High Pressure Sodium 50=50W 70=70W 10=100W 15=150W ² 17=175W 20=200W 25=250W	P =Pulse Start Metal Halide S =High Pressure Sodium	C =CWI H =Reac./HPF N =Hi. Reac./NPF P =Hi. Reac./HPF ⁵ R =Reac./NPF W =CWA ⁶	2=120V 0=208V 4=240V 7=277V 8=480V ⁷ 9=347V W =Multi-Tap wired 120V V =Multi-Tap wired 240V N =Multi-Tap wired 277V	22=Type II 33=Type III ⁸ 55=Type V
Options (Add as Suffix)				Accessories (Order Separately) ¹⁰	
4=NEMA Photocontrol Receptacle H=Plug-In Starter Receptacles W=20" #10 Leads P=Polycarbonate Lens Panels S=Snap Latches for Tool-less Lamp Replacement E=Factory Installed Cupola Cover with Cast Aluminum Eagle J=Factory Installed Ladder Rest U=UL/CSA Listed B=House Side Shield AP=Grey BK=Black BZ=Bronze WH=White				OA1219=TufGuard Vandal Shield TA1BK=Decorative Ladder Rest for Field Installation	

NOTES:

1. Medium-base pulse start metal halide is standard in 150W and below.
2. 150W Units are for S55 Lamps.
3. Consult an Cooper Lighting Solutions representative for lamp/ballast type/voltage compatibility.
4. Consult an Cooper Lighting Solutions representative for availability of EISA compliant linear reactor pulse start metal halide ballasts.
5. Pulse start metal halide EISA compliant high reactance ballasts are available in 70, 100 and 150 watts.
6. Pulse start metal halide EISA compliant constant wattage autotransformer (CWA) ballasts are available in 150, 175, 200 and 250 watts.
7. Pulse start metal halide 150W 480V requires high reactance to meet EISA requirements.
8. Requires use of coated lamp to achieve Type III distribution.
9. Only product configurations with these designated prefixes are built to be compliant with the Buy American Act of 1933 (BAA) or Trade Agreements Act of 1979 (TAA), respectively. Please refer to [DOMESTIC PREFERENCES](#) website for more information. Components shipped separately may be separately analyzed under domestic preference requirements.
10. Accessories sold separately will be separately analyzed under domestic preference requirements. Consult factory for further information.