

Project		Catalog #		Type	
Prepared by		Notes		Date	



# Streetworks

## UTLD Traditional

### Decorative Post Top Luminaire

#### Typical Applications

Outdoor • Parking Lots • Walkways • Roadways • Building Areas

### Interactive Menu

- Ordering Information [page 2](#)
- Product Specifications [page 2](#)
- Energy and Performance Data [page 3](#)

### Product Certifications



### Product Features

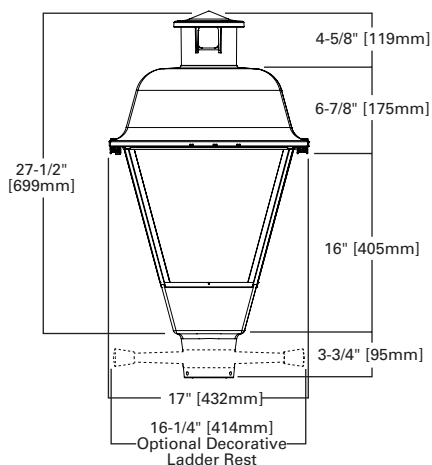


### Quick Facts

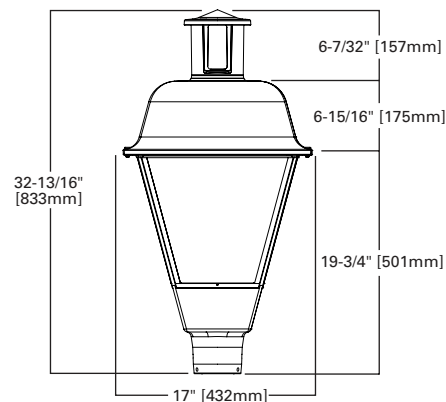
- Replaces up to 250W equivalent HID
- Asymmetric & Symmetric distributions
- 0-10V dimming driver standard
- UL 1449/MOV surge protection available
- 3G vibration rated

### Dimensional Details

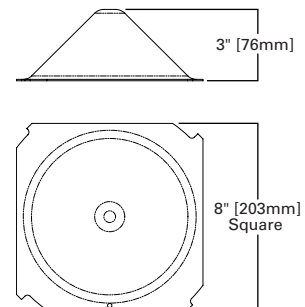
#### UTLD



#### UTLD - Tall Cupola



#### Optional Bird Cone



## Ordering Information

SAMPLE NUMBER: **UTLD-PA1-100-740-U-T2U-CL-BK**

Product Family <sup>1</sup>	Configuration	Wattage Bucket	Color Temperature	Voltage	Distribution	Lens	Finish
UTLD=Traditionaire™ LED Downlight	PA1=Direct Mount Rectangle (24 LED)	20=20W <sup>2</sup> 30=30W 40=40W 50=50W 60=60W 70=70W 80=80W 90=90W 100=100W	740=70CRI, 4000K 727=70CRI, 2700K <sup>6</sup> 827=80CRI, 2700K <sup>6</sup> 730=70CRI, 3000K <sup>6</sup> 750=70CRI, 5000K <sup>6</sup> AMB=Amber 590nm	U=Universal (120-277V) 2=120V <sup>2</sup> 8=480V <sup>4,5</sup> 9=347V <sup>5</sup>	T2U=Type II Urban T3=Type III T4W=Type IV Wide 5WQ=Type V Square Wide SL3=Type III w/ Spill Control	[Blank]=Open (No Lens) A=Refractive Lens Panels <sup>9</sup> CL=Clear Lens Panel <sup>9</sup> FP=Frosted Lens Panel <sup>9</sup> TL=Textured Lens Panel <sup>9</sup>	BK=Black AP=Grey BZ=Bronze WH=White
Options (Add as Suffix)		Controls		Accessories (Order Separately)			
10K=Series 10kV UL 1449 Surge Protective Device 20K=Series 20kV UL 1449 Surge Protective Device 20KI=Series 20kV UL 1449 Surge Protective Device with light indicator 20MSP=Parallel 20kV MOV Surge Protective Device 10MSP=10kV MOV Surge Protection Device HA=50°C High Ambient Temperature <sup>8</sup> W=20" #10 Input Leads S=Snap Latches for Tool-less Light Replacement J=Factory Installed Ladder Rest BC=Bird Cone <sup>9</sup> HSS=Factory Install UTLD House Side Shield <sup>10</sup> TC=Tall Cupola <sup>11</sup> PSC=Photocontrol Shorting Cap NPC=NEMA Photocontrol - Multi-Tap LLPC=Longlife Photocontrol Included CC=Coastal construction finish <sup>12</sup> FADC=Field Adjustable Dimming Controller		5LTD=DALI <sup>3</sup> PR=NEMA Photocontrol Receptacle <sup>7</sup> PR7=NEMA 7-PIN Twistlock Photocontrol Receptacle		TA1BK=Decorative Ladder Rest for Field Installation (Black) OA/RA1013=Photocontrol Shorting Cap OA/RA1014=NEMA Photocontrol - 120V OA/RA1016=NEMA Photocontrol - Multi-Tap OA/RA1027=NEMA Photocontrol - 480V OA/RA1201=NEMA Photocontrol - 347V OA1223=10kV Surge Module Replacement HS-UTLD-24=Field Installed UTLD House Side Shield for PA1 <sup>10</sup> VGS-ARCH=Short Vertical Drop Shield VGL-ARCH=Long Vertical Drop Shield			
<b>NOTES:</b> 1. Customer is responsible for engineering analysis to confirm pole and fixture compatibility for all applications. Refer to our white paper WP513001EN for additional support information. 2. PA1-20 only available in 120V. 3. Only available in universal voltage. Consult your lighting representative at Cooper Lighting Solutions if custom programming is required. Not available with PA1-90, PA1-100. Consult your lighting representative at Cooper Lighting Solutions if greater than PA1-80 (83W) is needed. 4. Only for use with 480V Wye systems. Per NEC, not for use with ungrounded systems, impedance grounded systems or corner grounded systems (commonly known as Three Phase Three Wire Delta, Three Phase High Leg Delta and Three Phase Corner Grounded Delta systems). 5. Not available with 5LTD driver. 6. Use dedicated IES files for when performing layouts. These files are published on the UTLD Traditionaire product page on the website. 7. If "PR" selected, dimming functionality not available, dimming leads will be capped. 8. Not available with HSS or 5LTD driver. 9. Lens panel and birdcone cannot be ordered together. 10. HSS not available with 5WQ distribution. 11. Use tall cupola to accommodate network control solutions requiring the 7-pin receptacle. 12. Coastal construction finish salt spray tested to over 5,000-hours per ASTM B117, with a scribe rating of 9 per ASTM D1654.							

## Product Specifications

### Construction

- Hinged (stainless steel hinge pins) die-cast aluminum housing and cover with cupola.
- 3G vibration tested to ensure strength of construction and longevity in application.

### Optics

- Choice of five patented, high-efficiency AccuLED Optic™ technology manufactured from injection-molded acrylic.
- Optics are precisely designed to shape the light output, maximizing efficiency and application spacing.
- AccuLED Optic technology creates consistent distributions with the scalability to meet customized application requirements.
- Optional 2700K, 3000K, 4000K and 5000K CCT. For the ultimate level of spill light control, an optional house-side shield accessory can be field, or factory installed.
- Optics are IP66 enclosure rated.
- Offered open sided as a standard with four lens options.

### Electrical

- LED drivers mount to die-cast aluminum back housing for optimal heat sinking, operation efficacy, and prolonged life.
- Standard drivers feature electronic universal voltage (120-277V 50/60Hz), 347V 60Hz or 480V 60Hz operation, greater than 0.9 power factor, less than 20% harmonic distortion, and is suitable for operation in -40°C to 40°C ambient environments.
- Surge protection options: 10kV/10kA common - and differential - mode surge protection. Optional 20kV (light indicator optional), 10kV MOV, and 20kV MOV surge protection devices.

### Mounting

- Self-aligning pole-top fitter for 3" O.D. pole tops or vertical tenons.
- Square headed 1-1/4" polymer coated mounting bolts with a lock nut.

### Finish

- Cast components finished in a super TGIC polyester powder coat paint, 2.5 mil nominal thickness for superior protection against fade and wear.
- Optional colors include bronze, grey and white. RAL and custom color matches available.

### Shipping Data

- Approximate Net Weight: 37 lbs. (17 kgs.)
- Effective Projected Area: 2.3 (Sq. Ft.)

### Warranty

- Standard five-year warranty.
- Optional ten-year warranty, please see your Cooper Lighting Solutions Streetworks sales representative for more information.

## Energy and Performance Data

### Power and Lumens (Standard Configuration - No Bird Cone)

Light Engine *	PA1-20	PA1-30	PA1-40	PA1-50	PA1-60	PA1-70	PA1-80	PA1-90	PA1-100	
<b>Nominal Power (Watts)</b>	21	31	40	54	64	74	83	94	96	
<b>Wattage Label</b>	20	30	40	50	60	70	80	90	100	
<b>Current @ 120V (A)</b>	0.18	0.26	0.34	0.45	0.53	0.62	0.70	0.78	0.80	
<b>Current @ 277V (A)</b>	--	0.12	0.15	0.21	0.24	0.28	0.31	0.35	0.35	
<b>Current @ 347V (A)</b>	--	0.10	0.13	0.16	0.19	0.22	0.24	0.28	0.28	
<b>Current @ 480V (A)</b>	--	0.07	0.09	0.13	0.14	0.17	0.18	0.21	0.21	
<b>Optics</b>										
<b>T2U</b>	4000K	2,875	4,024	5,231	6,705	7,794	8,723	9,544	10,321	10,343
	Lumens per Watt	137	130	131	124	122	118	115	110	108
	BUG Rating	B1-U0-G1	B1-U0-G1	B2-U0-G2	B2-U0-G2	B2-U0-G2	B2-U0-G2	B3-U0-G3	B3-U0-G3	B3-U0-G3
	3000K	2,618	3,665	4,764	6,107	7,098	7,944	8,692	9,400	9,419
	Lumens per Watt	125	118	119	113	111	107	105	100	98
<b>T2U-A</b>	4000K	2,461	3,444	4,476	5,740	6,672	7,466	8,168	8,834	8,853
	Lumens per Watt	117	111	112	106	104	101	98	94	92
	BUG Rating	B1-U3-G1	B1-U3-G1	B1-U3-G2	B2-U3-G2	B2-U4-G2	B2-U4-G2	B2-U4-G2	B2-U4-G2	B2-U4-G2
	3000K	2,241	3,136	4,077	5,227	6,076	6,798	7,438	8,045	8,063
	Lumens per Watt	107	101	102	97	95	92	90	86	84
<b>T2U-CL</b>	4000K	2,682	3,754	4,880	6,258	7,273	8,138	8,905	9,631	9,651
	Lumens per Watt	128	121	122	116	114	110	107	102	101
	BUG Rating	B1-U2-G1	B1-U3-G1	B2-U3-G2	B2-U3-G2	B2-U3-G2	B3-U3-G3	B3-U3-G3	B3-U3-G3	B3-U3-G3
	3000K	2,443	3,419	4,445	5,698	6,624	7,412	8,110	8,770	8,790
	Lumens per Watt	116	110	111	106	104	100	98	93	92
<b>T2U-TL</b>	4000K	2,637	3,690	4,799	6,152	7,151	8,002	8,755	9,468	9,488
	Lumens per Watt	126	119	120	114	112	108	105	101	99
	BUG Rating	B1-U3-G1	B1-U3-G1	B2-U3-G2	B2-U3-G2	B2-U3-G2	B3-U3-G3	B3-U3-G3	B3-U3-G3	B3-U3-G3
	3000K	2,402	3,362	4,369	5,602	6,512	7,287	7,973	8,622	8,640
	Lumens per Watt	114	108	109	104	102	98	96	92	90
<b>T2U-FP</b>	4000K	2,458	3,441	4,473	5,736	6,668	7,460	8,164	8,828	8,847
	Lumens per Watt	117	111	112	106	104	101	98	94	92
	BUG Rating	B1-U3-G2	B1-U3-G2	B1-U3-G3	B2-U4-G3	B2-U4-G3	B2-U4-G3	B2-U4-G4	B2-U4-G4	B2-U4-G4
	3000K	2,240	3,134	4,075	5,224	6,072	6,795	7,434	8,039	8,056
	Lumens per Watt	107	101	102	97	95	92	90	86	84
<b>T2U-HSS</b>	4000K	1,949	2,728	3,547	4,546	5,285	5,914	6,471	6,998	7,013
	Lumens per Watt	93	88	89	84	83	80	78	74	73
	BUG Rating	B0-U0-G1	B0-U0-G1	B0-U0-G1	B0-U0-G1	B0-U0-G1	B0-U0-G1	B0-U0-G1	B0-U0-G1	B1-U0-G2
	3000K	1,775	2,485	3,230	4,141	4,813	5,386	5,893	6,374	6,387
	Lumens per Watt	85	80	81	77	75	73	71	68	67
	BUG Rating	B0-U0-G0	B1-U0-G1	B1-U0-G1	B1-U0-G1	B1-U0-G1	B1-U0-G1	B1-U0-G1	B1-U0-G1	B1-U0-G1

NOTE: \* Photometric data is reported for lower hemisphere only.

## Power and Lumens (Standard Configuration - No Lenses or Bird Cone)

Light Engine *	PA1-20	PA1-30	PA1-40	PA1-50	PA1-60	PA1-70	PA1-80	PA1-90	PA1-100	
<b>Nominal Power (Watts)</b>	21	31	40	54	64	74	83	94	96	
<b>Wattage Label</b>	20	30	40	50	60	70	80	90	100	
<b>Current @ 120V (A)</b>	0.18	0.26	0.34	0.45	0.53	0.62	0.70	0.78	0.80	
<b>Current @ 277V (A)</b>	--	0.12	0.15	0.21	0.24	0.28	0.31	0.35	0.35	
<b>Current @ 347V (A)</b>	--	0.10	0.13	0.16	0.19	0.22	0.24	0.28	0.28	
<b>Current @ 480V (A)</b>	--	0.07	0.09	0.13	0.14	0.17	0.18	0.21	0.21	
<b>Optics</b>										
<b>SL3</b>	4000K	2,784	3,896	5,065	6,493	7,547	8,446	9,241	9,994	10,015
	Lumens per Watt	133	126	127	120	118	114	111	106	104
	BUG Rating	B1-U0-G1	B1-U0-G2	B1-U0-G2	B1-U0-G3	B1-U0-G3	B1-U0-G3	B2-U0-G3	B2-U0-G3	B2-U0-G3
	3000K	2,535	3,548	4,612	5,913	6,873	7,692	8,416	9,102	9,120
	Lumens per Watt	121	114	115	110	107	104	101	97	95
<b>SL3-A</b>	4000K	2,320	3,247	4,219	5,410	6,288	7,037	7,699	8,326	8,344
	Lumens per Watt	110	105	105	100	98	95	93	89	87
	BUG Rating	B1-U3-G1	B1-U3-G2	B1-U3-G2	B1-U3-G2	B1-U3-G3	B1-U4-G3	B1-U4-G3	B1-U4-G3	B1-U4-G3
	3000K	2,112	2,956	3,842	4,926	5,726	6,408	7,011	7,583	7,599
	Lumens per Watt	101	95	96	91	89	87	84	81	79
<b>SL3-CL</b>	4000K	2,608	3,651	4,746	6,085	7,073	7,915	8,660	9,365	9,385
	Lumens per Watt	124	118	119	113	111	107	104	100	98
	BUG Rating	B1-U2-G2	B1-U3-G2	B1-U3-G2	B1-U3-G3	B1-U3-G3	B2-U3-G3	B2-U3-G3	B2-U3-G3	B2-U3-G3
	3000K	2,375	3,325	4,322	5,542	6,441	7,208	7,886	8,529	8,546
	Lumens per Watt	113	107	108	103	101	97	95	91	89
<b>SL3-TL</b>	4000K	2,527	3,535	4,597	5,893	6,849	7,665	8,387	9,070	9,090
	Lumens per Watt	120	114	115	109	107	104	101	96	95
	BUG Rating	B1-U3-G2	B1-U3-G2	B1-U3-G2	B1-U3-G3	B2-U3-G3	B2-U3-G3	B2-U3-G3	B2-U3-G3	B2-U3-G3
	3000K	2,300	3,220	4,186	5,366	6,239	6,981	7,639	8,261	8,278
	Lumens per Watt	110	104	105	99	97	94	92	88	86
<b>SL3-FP</b>	4000K	2,344	3,282	4,265	5,470	6,359	7,114	7,784	8,419	8,437
	Lumens per Watt	112	106	107	101	99	96	94	90	88
	BUG Rating	B1-U3-G2	B1-U3-G3	B1-U3-G3	B1-U4-G3	B1-U4-G4	B2-U4-G4	B2-U4-G4	B2-U4-G4	B2-U4-G4
	3000K	2,136	2,989	3,885	4,980	5,790	6,479	7,089	7,667	7,683
	Lumens per Watt	102	96	97	92	90	88	85	82	80
<b>SL3-HSS</b>	4000K	2,305	3,226	4,194	5,376	6,250	6,994	7,652	8,276	8,293
	Lumens per Watt	110	104	105	100	98	95	92	88	86
	BUG Rating	B0-U0-G1	B0-U0-G1	B1-U0-G2	B1-U0-G2	B1-U0-G2	B1-U0-G2	B1-U0-G2	B1-U0-G2	B1-U0-G2
	3000K	2,099	2,938	3,820	4,896	5,692	6,369	6,969	7,537	7,552
	Lumens per Watt	100	95	96	91	89	86	84	80	79
	BUG Rating	B0-U0-G1	B0-U0-G1	B0-U0-G1	B1-U0-G2	B1-U0-G2	B1-U0-G2	B1-U0-G2	B1-U0-G2	B1-U0-G2

NOTE: \* Photometric data is reported for lower hemisphere only.

## Power and Lumens (Standard Configuration - No Lenses or Bird Cone)

Light Engine *	PA1-20	PA1-30	PA1-40	PA1-50	PA1-60	PA1-70	PA1-80	PA1-90	PA1-100	
<b>Nominal Power (Watts)</b>	21	31	40	54	64	74	83	94	96	
<b>Wattage Label</b>	20	30	40	50	60	70	80	90	100	
<b>Current @ 120V (A)</b>	0.18	0.26	0.34	0.45	0.53	0.62	0.70	0.78	0.80	
<b>Current @ 277V (A)</b>	--	0.12	0.15	0.21	0.24	0.28	0.31	0.35	0.35	
<b>Current @ 347V (A)</b>	--	0.10	0.13	0.16	0.19	0.22	0.24	0.28	0.28	
<b>Current @ 480V (A)</b>	--	0.07	0.09	0.13	0.14	0.17	0.18	0.21	0.21	
<b>Optics</b>										
<b>T3</b>	4000K	2,853	3,992	5,190	6,653	7,733	8,654	9,469	10,241	10,262
	Lumens per Watt	136	129	130	123	121	117	114	109	107
	BUG Rating	B1-U0-G1	B1-U0-G2	B1-U0-G2	B1-U0-G2	B2-U0-G2	B2-U0-G3	B2-U0-G3	B2-U0-G3	B2-U0-G3
	3000K	2,598	3,636	4,726	6,059	7,043	7,882	8,624	9,326	9,345
	Lumens per Watt	124	117	118	112	110	107	104	99	97
<b>T3-A</b>	4000K	2,425	3,395	4,413	5,657	6,577	7,359	8,052	8,709	8,727
	Lumens per Watt	115	110	110	105	103	99	97	93	91
	BUG Rating	B1-U3-G1	B1-U3-G2	B1-U3-G2	B1-U3-G2	B1-U4-G3	B2-U4-G3	B2-U4-G3	B2-U4-G3	B2-U4-G3
	3000K	2,209	3,091	4,019	5,152	5,989	6,702	7,332	7,931	7,947
	Lumens per Watt	105	100	100	95	94	91	88	84	83
<b>T3-CL</b>	4000K	2,695	3,773	4,905	6,288	7,309	8,179	8,949	9,679	9,698
	Lumens per Watt	128	122	123	116	114	111	108	103	101
	BUG Rating	B1-U2-G2	B1-U3-G2	B1-U3-G2	B2-U3-G3	B2-U3-G3	B2-U3-G3	B2-U3-G3	B2-U3-G3	B2-U3-G3
	3000K	2,455	3,435	4,467	5,726	6,656	7,448	8,150	8,815	8,832
	Lumens per Watt	117	111	112	106	104	101	98	94	92
<b>T3-TL</b>	4000K	2,616	3,661	4,760	6,102	7,093	7,937	8,685	9,392	9,413
	Lumens per Watt	125	118	119	113	111	107	105	100	98
	BUG Rating	B1-U3-G2	B1-U3-G2	B1-U3-G2	B2-U3-G3	B2-U3-G3	B2-U3-G3	B2-U3-G3	B2-U3-G3	B2-U3-G3
	3000K	2,382	3,334	4,335	5,558	6,459	7,229	7,909	8,554	8,572
	Lumens per Watt	113	108	108	103	101	98	95	91	89
<b>T3-FP</b>	4000K	2,430	3,401	4,420	5,668	6,588	7,372	8,066	8,723	8,742
	Lumens per Watt	116	110	111	105	103	100	97	93	91
	BUG Rating	B1-U3-G2	B1-U3-G3	B1-U3-G3	B1-U4-G3	B2-U4-G3	B2-U4-G4	B2-U4-G4	B2-U4-G4	B2-U4-G4
	3000K	2,213	3,097	4,026	5,161	5,999	6,714	7,345	7,945	7,961
	Lumens per Watt	105	100	101	96	94	91	88	85	83
<b>T3-HSS</b>	4000K	2,126	2,976	3,869	4,959	5,765	6,451	7,059	7,634	7,650
	Lumens per Watt	101	96	97	92	90	87	85	81	80
	BUG Rating	B0-U0-G1	B0-U0-G1	B0-U0-G1	B1-U0-G2	B1-U0-G2	B1-U0-G2	B1-U0-G2	B1-U0-G2	B1-U0-G2
	3000K	1,973	2,710	3,523	4,517	5,250	5,875	6,428	6,952	6,967
	Lumens per Watt	94	87	88	84	82	79	77	74	73
	BUG Rating	B0-U0-G1	B0-U0-G1	B0-U0-G1	B1-U0-G2	B1-U0-G2	B1-U0-G2	B1-U0-G2	B1-U0-G2	B1-U0-G2

NOTE: \* Photometric data is reported for lower hemisphere only.

## Power and Lumens (Standard Configuration - No Lenses or Bird Cone)

Light Engine *	PA1-20	PA1-30	PA1-40	PA1-50	PA1-60	PA1-70	PA1-80	PA1-90	PA1-100	
<b>Nominal Power (Watts)</b>	21	31	40	54	64	74	83	94	96	
<b>Wattage Label</b>	20	30	40	50	60	70	80	90	100	
<b>Current @ 120V (A)</b>	0.18	0.26	0.34	0.45	0.53	0.62	0.70	0.78	0.80	
<b>Current @ 277V (A)</b>	--	0.12	0.15	0.21	0.24	0.28	0.31	0.35	0.35	
<b>Current @ 347V (A)</b>	--	0.10	0.13	0.16	0.19	0.22	0.24	0.28	0.28	
<b>Current @ 480V (A)</b>	--	0.07	0.09	0.13	0.14	0.17	0.18	0.21	0.21	
<b>Optics</b>										
<b>T4W</b>	4000K	2,856	3,997	5,196	6,660	7,742	8,664	9,480	10,253	10,274
	Lumens per Watt	136	129	130	123	121	117	114	109	107
	BUG Rating	B1-U0-G1	B1-U0-G2	B1-U0-G2	B1-U0-G2	B2-U0-G3	B2-U0-G3	B2-U0-G3	B2-U0-G3	B2-U0-G3
	3000K	2,601	3,640	4,732	6,066	7,051	7,891	8,634	9,337	9,356
	Lumens per Watt	124	117	118	112	110	107	104	99	97
	BUG Rating	B1-U0-G1	B1-U0-G2	B1-U0-G2	B1-U0-G2	B2-U0-G2	B2-U0-G3	B2-U0-G3	B2-U0-G3	B2-U0-G3
<b>T4W-A</b>	4000K	2,388	3,343	4,346	5,572	6,476	7,247	7,929	8,576	8,594
	Lumens per Watt	114	108	109	103	101	98	96	91	90
	BUG Rating	B1-U3-G2	B1-U3-G2	B1-U3-G2	B1-U3-G3	B1-U4-G3	B2-U4-G3	B2-U4-G3	B2-U4-G3	B2-U4-G3
	3000K	2,175	3,044	3,958	5,073	5,899	6,600	7,221	7,809	7,827
	Lumens per Watt	104	98	99	94	92	89	87	83	82
	BUG Rating	B1-U3-G1	B1-U3-G2	B1-U3-G2	B1-U3-G2	B1-U3-G3	B1-U4-G3	B1-U4-G3	B1-U4-G3	B1-U4-G3
<b>T4W-CL</b>	4000K	2,684	3,758	4,885	6,262	7,280	8,145	7,913	9,639	9,660
	Lumens per Watt	128	121	122	116	114	110	95	103	101
	BUG Rating	B1-U3-G2	B1-U3-G2	B1-U3-G2	B2-U3-G3	B2-U3-G3	B2-U3-G3	B2-U3-G3	B2-U3-G3	B2-U3-G3
	3000K	2,445	3,422	4,449	5,703	6,629	7,418	8,118	8,779	8,797
	Lumens per Watt	116	110	111	106	104	100	98	93	92
	BUG Rating	B1-U2-G2	B1-U3-G2	B1-U3-G2	B1-U3-G3	B2-U3-G3	B2-U3-G3	B2-U3-G3	B2-U3-G3	B2-U3-G3
<b>T4W-TL</b>	4000K	2,595	3,631	4,721	6,053	7,036	7,873	8,615	9,316	9,336
	Lumens per Watt	124	117	118	112	110	106	104	99	97
	BUG Rating	B1-U3-G2	B1-U3-G2	B1-U3-G2	B2-U3-G3	B2-U3-G3	B2-U3-G3	B2-U3-G3	B2-U3-G3	B2-U3-G3
	3000K	2,363	3,306	4,300	5,513	6,407	7,170	7,845	8,485	8,502
	Lumens per Watt	113	107	108	102	100	97	95	90	89
	BUG Rating	B1-U3-G2	B1-U3-G2	B1-U3-G2	B1-U3-G3	B2-U3-G3	B2-U3-G3	B2-U3-G3	B2-U3-G3	B2-U3-G3
<b>T4W-FP</b>	4000K	2,414	3,377	4,391	5,629	6,542	7,322	8,012	8,663	8,683
	Lumens per Watt	115	109	110	104	102	99	97	92	90
	BUG Rating	B1-U3-G2	B1-U3-G3	B1-U3-G3	B1-U4-G3	B2-U4-G4	B2-U4-G4	B2-U4-G4	B2-U4-G4	B2-U4-G4
	3000K	2,197	3,076	3,999	5,126	5,958	6,667	7,296	7,890	7,907
	Lumens per Watt	105	99	100	95	93	90	88	84	82
	BUG Rating	B1-U3-G2	B1-U3-G3	B1-U3-G3	B1-U4-G3	B2-U4-G3	B2-U4-G4	B2-U4-G4	B2-U4-G4	B2-U4-G4
<b>T4W-HSS</b>	4000K	2,092	2,928	3,806	4,879	5,671	6,347	6,944	7,510	7,525
	Lumens per Watt	100	94	95	90	89	86	84	80	78
	BUG Rating	B0-U0-G1	B0-U0-G1	B0-U0-G2	B1-U0-G2	B1-U0-G2	B1-U0-G2	B1-U0-G2	B1-U0-G2	B1-U0-G2
	3000K	1,905	2,666	3,466	4,443	5,165	5,780	6,324	6,840	6,854
	Lumens per Watt	91	86	87	82	81	78	76	73	71
	BUG Rating	B0-U0-G1	B0-U0-G1	B0-U0-G1	B1-U0-G2	B1-U0-G2	B1-U0-G2	B1-U0-G2	B1-U0-G2	B1-U0-G2

NOTE: \* Photometric data is reported for lower hemisphere only.

## Power and Lumens (Standard Configuration - No Lenses or Bird Cone)

Light Engine *		PA1-20	PA1-30	PA1-40	PA1-50	PA1-60	PA1-70	PA1-80	PA1-90	PA1-100
<b>Nominal Power (Watts)</b>		21	31	40	54	64	74	83	94	96
<b>Wattage Label</b>		20	30	40	50	60	70	80	90	100
<b>Current @ 120V (A)</b>		0.18	0.26	0.34	0.45	0.53	0.62	0.70	0.78	0.80
<b>Current @ 277V (A)</b>		--	0.12	0.15	0.21	0.24	0.28	0.31	0.35	0.35
<b>Current @ 347V (A)</b>		--	0.10	0.13	0.16	0.19	0.22	0.24	0.28	0.28
<b>Current @ 480V (A)</b>		--	0.07	0.09	0.13	0.14	0.17	0.18	0.21	0.21
Optics										
5WQ	4000K	2,971	4,158	5,405	6,929	8,055	9,014	9,862	10,666	10,688
	Lumens per Watt	141	134	135	128	126	122	119	113	111
	BUG Rating	B2-U0-G1	B3-U0-G1	B3-U0-G2	B3-U0-G2	B3-U0-G2	B4-U0-G2	B4-U0-G2	B4-U0-G3	B4-U0-G3
	3000K	2,706	3,787	4,923	6,310	7,335	8,209	8,982	9,714	9,734
	Lumens per Watt	129	122	123	117	115	111	108	103	101
	BUG Rating	B2-U0-G1	B3-U0-G1	B3-U0-G2	B3-U0-G2	B3-U0-G2	B3-U0-G2	B4-U0-G2	B4-U0-G2	B4-U0-G2
5WQ-A	4000K	2,480	3,471	4,513	5,786	6,726	7,525	8,235	8,905	8,924
	Lumens per Watt	118	112	113	107	105	102	99	95	93
	BUG Rating	B1-U3-G1	B1-U3-G2	B2-U3-G2	B2-U3-G2	B2-U4-G2	B2-U4-G3	B2-U4-G3	B2-U4-G3	B2-U4-G3
	3000K	2,259	3,161	4,110	5,269	6,125	6,853	7,499	8,110	8,128
	Lumens per Watt	108	102	103	98	96	93	90	86	85
	BUG Rating	B1-U3-G1	B1-U3-G2	B2-U3-G2	B2-U3-G2	B2-U3-G2	B2-U4-G2	B2-U4-G3	B2-U4-G3	B2-U4-G3
5WQ-CL	4000K	2,854	3,995	5,192	6,658	7,739	8,660	9,475	10,248	10,269
	Lumens per Watt	136	129	130	123	121	117	114	109	107
	BUG Rating	B2-U3-G2	B3-U3-G2	B3-U3-G2	B3-U3-G3	B3-U3-G3	B3-U3-G3	B4-U3-G3	B4-U3-G3	B4-U3-G3
	3000K	2,599	3,639	4,730	6,063	7,048	7,886	8,630	9,333	9,352
	Lumens per Watt	124	117	118	112	110	107	104	99	97
	BUG Rating	B2-U3-G1	B3-U3-G2	B3-U3-G2	B3-U3-G2	B3-U3-G3	B3-U3-G3	B3-U3-G3	B3-U3-G3	B3-U3-G3
5WQ-TL	4000K	2,730	3,821	4,967	6,368	7,402	8,283	9,063	9,802	9,823
	Lumens per Watt	130	123	124	118	116	112	109	104	102
	BUG Rating	B2-U3-G2	B3-U3-G2	B3-U3-G2	B3-U3-G3	B3-U3-G3	B3-U3-G3	B3-U3-G3	B4-U3-G3	B4-U3-G3
	3000K	2,486	3,480	4,524	5,799	6,741	7,544	8,254	8,926	8,945
	Lumens per Watt	118	112	113	107	105	102	99	95	93
	BUG Rating	B2-U3-G2	B2-U3-G2	B3-U3-G2	B3-U3-G3	B3-U3-G3	B3-U3-G3	B3-U3-G3	B3-U3-G3	B3-U3-G3
5WQ-FP	4000K	2,545	3,563	4,630	5,938	6,901	7,722	8,450	9,140	9,158
	Lumens per Watt	121	115	116	110	108	104	102	97	95
	BUG Rating	B1-U3-G2	B2-U3-G2	B2-U3-G3	B2-U4-G3	B3-U4-G3	B3-U4-G3	B3-U4-G4	B3-U4-G4	B3-U4-G4
	3000K	2,318	3,245	4,217	5,408	6,285	7,033	7,696	8,322	8,340
	Lumens per Watt	110	105	105	100	98	95	93	89	87
	BUG Rating	B1-U3-G2	B2-U3-G2	B2-U3-G3	B2-U4-G3	B3-U4-G3	B3-U4-G3	B3-U4-G3	B3-U4-G4	B3-U4-G4

NOTE: \* Photometric data is reported for lower hemisphere only.

## Lumen Maintenance

Light Engine	Ambient Temperature	TM-21 Lumen Maintenance (60,000 Hours)	Theoretical L70 (Hours)
PA1	Up to 40°C	> 98%	> 800,000

## Lumen Multiplier

Ambient Temperature	Lumen Multiplier
0°C	1.02
10°C	1.01
25°C	1.00
40°C	0.99
50°C	0.97

## FADC Settings

FADC Position	Percent of Typical Lumen Output
1	25%
2	46%
3	55%
4	62%
5	72%
6	77%
7	82%
8	85%
9	90%
10	100%

**Note:** +/-5% typical value