

DESCRIPTION

Compliments roadways, parks, pedestrian walkways, and residential streets. The Utility LED Acorn illuminates and delights communities with superior LED lumen performance in a traditional, easy-to-service design that replaces 100W HPS fixtures.

Catalog #		Type
Project		
Comments		Date
Prepared by		

SPECIFICATION FEATURES

Construction

Heavy-duty cast aluminum housing and removable door. ANSI C136.31 testing compliance prevents damage from installation generated vibration. A single quarter turn fastener on the removable door provides tool-less access to wiring compartment.

Optics

GLOBE: 9" Visual Comfort textured acrylic globe is standard. Available in asymmetric or symmetric distributions. Offered standard in 4000K CCT and minimum 70 CRI.

Electrical

120-277V 50/60Hz operation. 10kV/10kA common - and differential mode surge protection available. Thermal management transfers heat rapidly away from the LED source for optimal efficiency and light output. Ambient operating temperature from -40°C to 40°C. Standard three-position tunnel type compression terminal block.

Controls

0-10V dimming driver standard. Photocontrol and After Hours Dim accessories available. Refer to control options section.

Mounting

Post top mount fits 3" O.D. tenon. Secured by square head 3/8" stainless steel mounting bolts.

Warranty

Standard five-year warranty. Optional ten-year warranty, please see your Cooper Lighting Solutions Streetworks sales representative for more information.

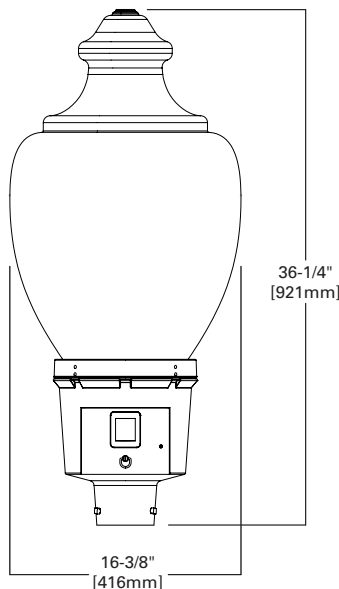
Options to meet Buy American and other domestic preference requirements.



ULA UTILITY LED ACORN

DECORATIVE POST TOP
LUMINAIRE

DIMENSIONS



CERTIFICATION DATA

UL/cUL Listed for Fixture Mounting
Heights 12 ft and greater
ANSI C136.31/C136.15
3G Vibration Rated
ISO 9001
RoHS Compliant
IP66 Rated Optics

ENERGY DATA

Electronic LED Driver
>0.9 Power Factor
<20% Total Harmonic Distortion
120-277V 50/60Hz
-30°C Minimum Temperature
40°C Ambient Temperature Rating

EPA

Effective Projected Area: (Sq. Ft.) 1.72

SHIPPING DATA

Approximate Net Wt:
16 lbs. (7.3 kgs.)

POWER AND LUMENS

Light Engine	A3	A4	A5	A6	A7	A8	A9	
Nominal Power (Watts)	21	29	36	44	55	56	71	
Wattage Label	20	30	40	40	60	60	70	
Current (a) @120V	178 mA	244 mA	309 mA	379 mA	462 mA	471 mA	618 mA	
Current (a) @277V	90 mA	128 mA	158 mA	192 mA	235 mA	240 mA	271 mA	
Optics								
SYM	4000K	3,295	4,070	4,998	5,951	7,032	8,423	9,549
	BUG Rating	B1-U5-G2	B1-U5-G3	B1-U5-G3	B2-U5-G3	B2-U5-G3	B2-U5-G3	B2-U5-G3
	3000K	3,183	3,931	4,828	5,748	6,793	8,136	9,224
	BUG Rating	B1-U5-G2	B1-U5-G2	B1-U5-G3	B2-U5-G3	B2-U5-G3	B2-U5-G3	B2-U5-G3
	2700K	3,024	3,735	4,586	5,461	6,453	7,729	8,762
	BUG Rating	B1-U5-G2	B1-U5-G2	B1-U5-G3	B2-U5-G3	B2-U5-G3	B2-U5-G3	B2-U5-G3

Light Engine	A3	A4	A5	A6	A7	A8	A9	
Nominal Power (Watts)	21	30	37	46	56	57	71	
Wattage Label	20	30	40	50	60	60	70	
Current (a) @120V	182 mA	250 mA	314 mA	390 mA	475 mA	480 mA	618 mA	
Current (a) @277V	81 mA	118 mA	144 mA	173 mA	212 mA	214 mA	271 mA	
Optics								
ASYM	4000K	3,122	3,866	4,687	5,488	6,357	7,989	9,057
	BUG Rating	B1-U5-G3	B1-U5-G3	B1-U5-G3	B1-U5-G3	B1-U5-G3	B1-U5-G4	B1-U5-G4
	3000K	3,016	3,734	4,527	5,301	6,140	7,717	8,749
	BUG Rating	B1-U5-G3	B1-U5-G3	B1-U5-G3	B1-U5-G3	B1-U5-G3	B1-U5-G4	B1-U5-G4
	2700K	2,865	3,548	4,301	5,036	5,833	7,331	8,311
	BUG Rating	B1-U5-G2	B1-U5-G3	B1-U5-G3	B1-U5-G3	B1-U5-G3	B1-U5-G3	B2-U5-G3

LUMEN MAINTENANCE

Light Engine	Ambient Temperature	TM-21 Lumen Maintenance (60,000 hours)	Theoretical L70 (Hours)
ULA-A8-D-U-ASYM	40°C	>73%	71,000
ULA-A5-D-U-ASYM	40°C	>85%	139,000

LUMEN MULTIPLIER

Ambient Temperature	Lumen Multiplier
10°C	1.02
15°C	1.01
25°C	1.00
40°C	0.99
50°C	0.96

ORDERING INFORMATION

Sample Number: ULA-A5-D-U-ASYM-VM-9-7030-4N7-10MSP-W-BK

Product Family ¹	Light Engine	Driver	Voltage	Distribution	Globe
ULA =Utility LED Acorn BAA-ULA =Utility LED Acorn Buy American Act Compliant ⁷ TAA-ULA =Utility LED Acorn Trade Agreements Act Compliant ⁷	A3 A4 A5 A6 A7 A8 A9	D =Dimming 5LTD =DALI	U =Universal (120-277V)	SYM =Symmetric ASYM =Asymmetric	VM-9 =Visual Comfort / Milky Globe, 9" Neck VM-8 =Visual Comfort / Milky Globe, 8" Neck
Options (Add as Suffix)	Color		Accessories (Order Separately) ⁸		
7030 =70 CRI / 3000K ² 7027 =70 CRI / 2700K ² 4 =NEMA Photocontrol Receptacle (Internal Mount) ³ 4N7 =NEMA 7-PIN Photocontrol Receptacle (Internal Mount) ³ 10K =10kV UL 1449 Surge Protective Device 10MSP =10kV MOV Surge Protective Device NPC =NEMA Photocontrol - Multi-Tap PSC =Photocontrol Shorting Cap HSS =House Side Shield 180 Degree Cutoff ⁴ W =20' #10 Leads HA =High Ambient ⁵ AN8 =M2M Antennae (915MHz) ⁶	AP =Grey BK =Black BZ =Bronze WH =White GN =Green		OA/RA1016 =NEMA Photocontrol - Multi-Tap OA/RA1013 =Photocontrol Shorting Cap OA1223 =10kV/10kA UL 1449 Surge Module Replacement ULA-HSS =Field Install House Side Shield 180 Degree Cutoff ⁴		

NOTES:

- Customer is responsible for engineering analysis to confirm pole and fixture compatibility for all applications. Refer to our white paper WP513001EN for additional support information.
- Use dedicated IES files for various CCTs and CRIs when performing layouts. These files are published on the Utility LED Acorn luminaire product page on the website.
- Total height of photocontrol/node cannot exceed 4.3".
- Applicable for asymmetric distribution.
- Not available with A8 light engine.
- For use with third party control systems where M2M is required.
- Only product configurations with these designated prefixes are built to be compliant with the Buy American Act of 1933 (BAA) or Trade Agreements Act of 1979 (TAA), respectively. Please refer to [DOMESTIC PREFERENCES](#) website for more information. Components shipped separately may be separately analyzed under domestic preference requirements.
- Accessories sold separately will be separately analyzed under domestic preference requirements. Consult factory for further information.



Cooper Lighting Solutions
 1121 Highway 74 South
 Peachtree City, GA 30269
 P: 770-486-4800
www.cooperlighting.com

Specifications and dimensions subject to change without notice.