

Project		Catalog #		Type	
Prepared by		Notes		Date	



Streetworks

UFLD Utility Flood

Floodlight & Sign Lighting Luminaire

Product Features



Product Certifications



Interactive Menu

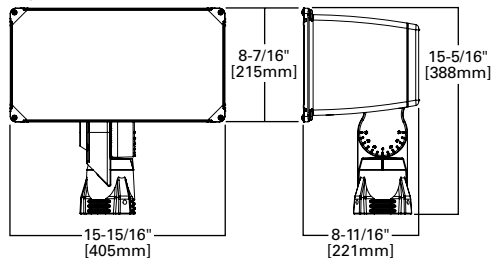
- Ordering Information [page 2](#)
- Product Specifications [page 3](#)
- Mounting Details [page 3](#)
- Energy and Performance Data [page 4](#)

Quick Facts

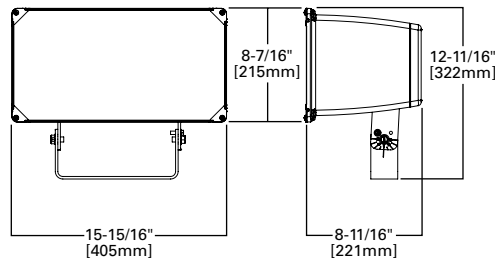
- Up to 156 lumens per watt
- Two optical distributions (Spot, Wide)
- 7 lumen packages ranging from 9,551 - 26,307 delivered lumens
- Offered in 2200K, 2700K, 3000K, 4000K, 5000K, 5700K CCTs

Dimensional Details

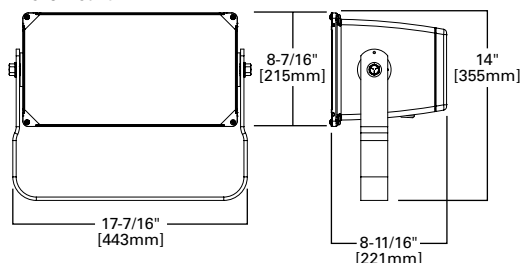
Slipfitter Mount



Trunnion Mount



Yoke Mount



Ordering Information

SAMPLE ORDER NUMBER: **UFLD-CA2-180-740-U-66-C-BK-10K-PR7**

Product Family	Configuration	Wattage Bucket	Color Temperature	Voltage	Distribution	Mounting	Color
UFLD =Utility LED Floodlight BAA-UFLD =Utility LED Floodlight Buy American Act Compliant ¹⁵ TAA-UFLD =Utility LED Floodlight Trade Agreements Act Compliant ¹⁵	CA2 =2 LED	80 =80W 90 =90W 120 =120W 130 =130W 140 =140W 150 =150W 180 =180W	740 =70CRI, 4000K 727 =70CRI, 2700K ² 722 =70CRI, 2200K ² 730 =70CRI, 3000K ² 750 =70CRI, 5000K ² 760 =70CRI, 5700K ²	U =Universal (120-277V) 8 =480V ¹ 9 =347V	66 =NEMA 6H x 6V Wide ¹⁴ 33 =NEMA 3H x 3V Spot ¹³	C =Slipfitter, 2-3/8"-3" O.D. (SO cord through housing) S =Slipfitter, 2-3/8"-3" O.D. (Leads through slipfitter) T =Trunnion Y =Yoke	BK =Black BZ =Bronze AP =Grey WH =White
Options (Add as Suffix)		Controls		Accessories (Order Separately) ¹⁶			
10K =Series 10kV UL 1449 Surge Protective Device 20K =Series 20kV UL 1449 Surge Protective Device 20KI =Series 20kV UL 1449 Surge Protective Device with light indicator 10MSP =Parallel 10kV MOV Surge Protection Device 20MSP =Parallel 20kV MOV Surge Protective Device HA =50°C High Ambient Temperature ³ D10 <10% Dimming CXXXX =Cord Type ¹¹ FADC =Field Adjustable Dimming Controller ¹²		PR =NEMA 3-PIN Photocontrol Receptacle PR7 =NEMA 7-PIN Twistlock Photocontrol Receptacle MSP/DIM-L12 =Integrated Occupancy Sensor for Dimming Operation, 8' - 12' Mounting Height ^{4,5} MSP/DIM-L30 =Integrated Occupancy Sensor for Dimming Operation, 12' - 30' Mounting Height ^{4,5} MSP-L12 =Integrated Occupancy Sensor for ON/OFF Operation, 8' - 12' Mounting Height ^{4,5} MSP-L30 =Integrated Occupancy Sensor for ON/OFF Operation, 12' - 30' Mounting Height ^{4,5}		FA63 =3" O.D. Surface Mount Bracket ⁷ OA1223 =10kV/10kA UL 1449 Surge Protective Device Replacement OA/RA1013 =Photocontrol Shorting Cap OA/RA1014 =NEMA Photocontrol - 120V OA/RA1016 =NEMA Photocontrol - Multi-Tap OA/RA1027 =NEMA Photocontrol - 480V OA/RA1201 =NEMA Photocontrol - 347V RAB-XX =Right Angle Pipe Bracket for Slipfitter SAB-XX =Steel Angle Bracket for Trunnion TYS-XX =Slipfitter Adapter for 2-3/8", 3" or 3-1/2" O.D. Tenon ⁸ TS2/UFLD-XX =Top and Side Visors ⁹ VS/UFLD =Vandal Shield ⁹ WG/UFLD =Wire Guard ⁹ ISHH-01 =Integrated Sensor Programming Remote LLPC =Long-life Photocontrol ¹⁰ LLPC-FO =Long-life Photocontrol (Fail-Off)			

NOTES:

1. Only for use with 480V Wye systems. Per NEC, not for use with ungrounded systems, impedance grounded systems or corner grounded systems (commonly known as Three Phase Three Wire Delta, Three Phase High Leg Delta and Three Phase Corne Grounded Delta systems)
2. Extended lead times apply. Use dedicated IES files for 3000K, 5000K, and 5700K when performing layouts. These files are published on the UFLD luminaire product page on the website.
3. Not available with 3H x 3V spot distribution.
4. Integrated sensor option only available in slipfitter mounting.
5. Not available with Photocontrol.
6. Replace XX with color designation. Additional brackets and adaptors available on the poles product page on the website.
7. Not available with tenon mount.
8. Not available with slipfitter mount.
9. Cannot combine TS2 (Top and Side Visor), VS (Vandal Shield), or WG (Wire Guard), limited to one external guard per fixture.
10. Sold as accessory. Not covered under luminaire warranty.
11. 3-conductor cord available in 12, 14, and 16 gauge with lengths of 5, 8, 10, 15, 20, and 25 feet. Specify cord gauge with the first 2 digits and cord length with the last 2 digits (ex: C1605 = 16-gauge, 5 feet length cord). Standard cord is 16-gauge with length of 3.5 ft if not specified.
12. Cannot be used with PR7 or other motion response control options.
13. Only available in 90W and 140W.
14. Available in 80W, 120W, 130W, 150W, and 180W wattage buckets.
15. Only product configurations with these designated prefixes are built to be compliant with the Buy American Act of 1933 (BAA) or Trade Agreements Act of 1979 (TAA), respectively. Please refer to [DOMESTIC PREFERENCES](#) website for more information. Components shipped separately may be separately analyzed under domestic preference requirements.
16. Accessories sold separately will be separately analyzed under domestic preference requirements. Consult factory for further information.

Product Specifications

Construction

- Heavy-duty, die cast aluminum housing, driver compartment and driver door.
- A separate driver compartment and external fins provide optimal thermal management that result in longer LED and driver life.
- The housing, optical chamber and driver compartment are IP66 rated.
- Access to the driver for maintenance is achieved with a removable driver door using pan head screws.
- A one-piece silicone gasket seals the door to the fixture housing.
- The fixture is 3G vibration rated (ANSI C136.31) to ensure durability in area and site lighting applications. Suitable for mounting within 4' (1.2m) of the ground.

Optics

- The LED chamber incorporates a vacuum metalized reflector that provides high-efficiency illumination.
- Optics are precisely designed to shape the NEMA type 6H x 6V wide distribution and 3H x 3V spot distribution, maximizing efficiency and application spacing.
- Clear glass tempered lens with full circumference form-in-place silicone gasket protects the optics from damage.
- Various CCTs available, offered in 2200K, 2700K, 3000K, 4000K, 5000K, or 5700K and minimum 70 CRI.

Electrical

- LED driver is mounted to the removable die-cast aluminum door for optimal heat sinking and ease of maintenance.
- 120-277V 50/60Hz, 347V 60Hz or 480V 60Hz operation.
- Integral 6kV surge is standard. 10kV/10kA common- and differential- mode surge protection available as an option.
- 0-10V dimming driver is standard to accommodate controls capability such as dimming and occupancy.
- Available with 3-PIN or 7-PIN NEMA photocontrol receptacles.
- Suitable for ambient temperatures from -40°C to 40°C. Optional 50°C HA (high ambient) available.
- 89% lumen maintenance greater than 60,000 hours per IESNA TM-21.
- Luminaire available with the field adjustable dimming controller (FADC) to manually adjust wattage and reduce the total lumen output and light levels. Comes pre-set to the highest position at the lumen output selected.

Accessories

- Heavy-duty steel top and side visors control glare and spill light. 1/8" thick UV stabilized vandal guard shields glass lens from impact when mounted at low levels.
- Easy to install wire guard features a heavy-gauge welded construction with corrosion resistant polyester powder coat finish to protect glass from projected objects.

Mounting

- Mounting options include an integral die-cast aluminum slipfitter that is preset to a tilt of 45°.
- The knuckle base is supplied with a tooth lock adjustment that can be adjusted in 5° increments. Visual 15° adjustment indicators on the knuckle allow for 180° field rotation of the floodlight assembly.
- The slipfitter fits standard 2-3/8"-3" O.D. tenon.
- The trunnion mounting includes a 3/16" polyester powder coated galvanized steel trunnion with a 16/3 STW-A cord.
- The trunnion mount uses an interlocking slide adjustment that is locked in place with a set screw.

Finish

- Housing and cast parts finished in five-stage super TGIC polyester powder coat paint, 2.5 mil nominal thickness for superior protection against fade and wear.

Shipping Data

- Approximate net weight: 20 lbs. (9.09 kgs.)
- EPA: 1.25 sq. ft.

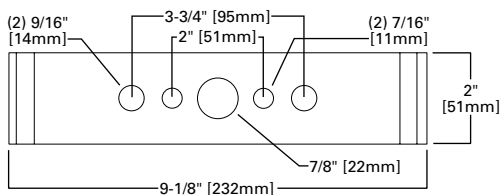
Warranty

- Standard five-year warranty.
- Optional ten-year warranty, please see your Cooper Lighting Solutions Streetworks sales representative for more information

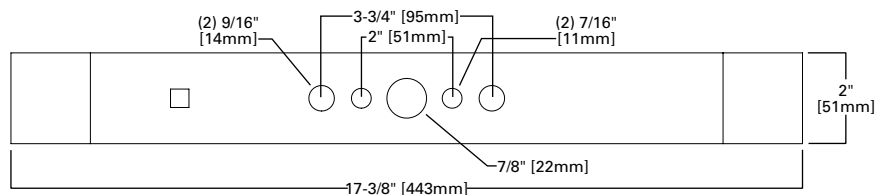
Mounting Details

Drilling Patterns

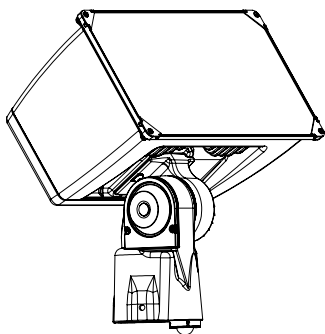
Trunnion Mount



Yoke Mount

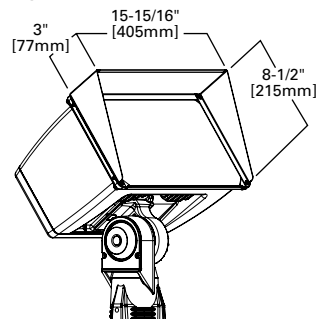


Optional Integrated Sensor

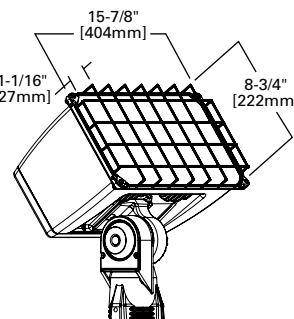


Accessories

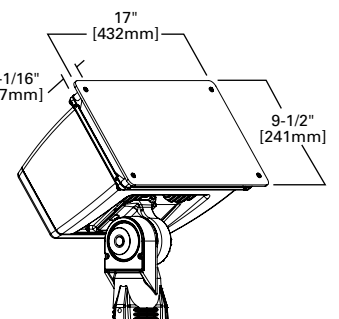
Top and Side Visors



Wire Guard



Vandal Shield



Energy and Performance Data

Distribution	6x6				
ANSI Wattage	80	120	130	150	180
Wattage	82	124	133	151	183
2200K	9,619	15,672	16,575	18,369	21,054
Lumens Per Watt	117	127	125	121	115
2700K	9,994	16,284	17,222	19,086	21,875
Lumens Per Watt	122	131	130	126	120
3000K	11,588	18,882	19,970	22,131	25,365
Lumens Per Watt	141	161	151	146	139
4000K	11,802	19,230	20,338	22,539	25,833
Lumens Per Watt	144	155	153	149	141
5000K	12,018	19,583	20,711	22,952	26,307
Lumens Per Watt	146	158	156	152	144
5700K	11,764	19,168	20,272	22,466	25,749
Lumens Per Watt	143	155	153	149	141

Distribution	3x3	
ANSI Wattage	90	140
Wattage	90	137
2200K	9,551	13,830
Lumens Per Watt	107	101
2700K	9,924	14,370
Lumens Per Watt	111	105
3000K	11,505	16,660
Lumens Per Watt	129	122
4000K	11,719	16,970
Lumens Per Watt	131	124
5000K	11,928	17,272
Lumens Per Watt	133	126
5700K	11,681	16,915
Lumens Per Watt	131	124

Current Draw

Voltage	Model Series						
	6 x 6	6 x 6	6 x 6	6 x 6	6 x 6	3x3	3x3
	80W	120W	130W	150W	180W	90W	140W
	Current (A)	Current (A)	Current (A)	Current (A)	Current (A)	Current (A)	Current (A)
120V	0.688	1.07	1.11	1.26	1.53	0.748	1.14
277V	0.31	0.47	0.5	0.54	0.67	0.33	0.51
347V	0.26	0.38	0.4	0.44	0.56	0.28	0.42
480V	0.19	0.29	0.31	0.33	0.4	0.21	0.31

Lumen Maintenance

Ambient Temperature	TM-21 Lumen Maintenance (60,000 Hours)	Theoretical L70 (Hours)
All Distributions		
40°C	88.90%	151,000

Lumen Multiplier

Ambient Temperature	Lumen Multiplier
10°C	1.03
15°C	1.02
25°C	1.00
40°C	0.97
50°C	0.96

FADC Settings

FADC Position	Percent of Typical Lumen Output
1	25%
2	48%
3	56%
4	65%
5	75%
6	80%
7	85%
8	90%
9	95%
10	100%

NOTES: +/-5% typical value