

UFLD
LED utility floodlight

Streetworks



 **COOPER**
Lighting Solutions

www.cooperlighting.com

Total performance. Specification and budget.

Cooper Lighting Solutions' UFLD family of LED Floodlights are designed to meet your most challenging specifications while keeping your project budget intact. With outputs from 2,600 to 57,883 lumens, you can choose the fixture to meet your exact lighting requirements, and three housing sizes scaled to the lumen packages ensure you never buy more fixture than you need. Every configuration is designed for easy installation and aiming, and long-life LEDs make shrink maintenance costs to near zero.



UFLD-S
[70-150W replacement]



UFLD
[250-400W replacement]



UFLD-L
[750-1000W replacement]



LED floodlighting. We've got this covered.

Cooper Lighting Solutions' UFLD family of LED floodlight luminaires lights the way to sustainable and economic solutions to a wide range of outdoor lighting applications.

Superior performance, compelling economics

Cooper Lighting Solutions' UFLD luminaires deliver the energy and maintenance savings of LED technology with the front-end economics of a basic floodlight. When you need an affordable LED solution for a large site, a building facade, or entry signage, the UFLD family of luminaires is your answer.

Versatility and value

With lumen packages from 2,600 to over 57,883 lumens, the UFLD family of LED floodlights delivers superior operating savings compared to HID systems. An optional integrated sensor allows dimming to 50 percent when no occupancy is detected, providing even greater energy savings and compliance with California Title 24.

Mount. Aim. Done.

The UFLD is built with the installer in mind. Available in several mounting configurations and sized to be handled by a single person, it delivers simplicity and versatility across all floodlight applications. Its die-cast slipfitter fits standard pipe sizes from 2-3/8" – 3" O.D. for bullhorn or tenon mounting. The trunnion mount is ideal for facade or signage lighting. Adjustable mounting options include cast-in angle measurements to facilitate aiming accuracy.





UFLD-S

Utility poles, entry signage, landscape

UFLD-S

Performance summary

Distributions: 3H x 3V Spot / 6H x 6V Wide
Lumens: 3,000 - 7,000 (Delivered)
Wattage: 20, 30, and 50 Watts (70-150W replacement)
Efficacy: Up to 161 lm/W
CRI/CCT: 70 CRI / 2200K, 2700K, 3000K, 4000K, 5000K, 5700K

Electrical data (Electronic LED driver)

Power Factor: >0.9
Total Harmonic Distortion: <20%
Minimum Temperature: -40°C
Ambient Temperature Rating: 40°C
Operation: 120-277V 50/60Hz, 347V 60Hz, 480V 60Hz
Controls: 0-10V, NEMA 3-PIN / 7-PIN photocontrol receptacle, 120V or 208/277V button photocontrol

Additional information

Warranty: 5 year
Vibration Tested: 1.5G (Knuckle / Slipfitter), 3G (Trunnion)
UL/cUL Listed: Wet location
IP66 Rated: Yes (Fixture and optical chamber)
LM79/LM80: Compliant
RoHS: Compliant
EPA: 0.55
Approximate Net Weight: 13 lbs. (6 kgs.)

Options and accessories



Button photocontrol



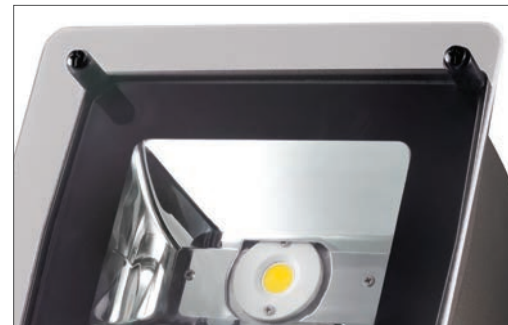
NEMA 7-PIN photocontrol receptacle



Top and side visor



Wire guard



Vandal shield



Spot optic



Knuckle mount
(1/2" NPT)



Trunnion mount



Slipfitter mount
(2" pipe or 2-3/8" O.D. tenon)

NOTE: Product specifications subject to change without notice.
 Visit www.cooperlighting.com to find the most up to date information.



UFLD

Utility poles, parking lots, building facades

UFLD

Performance summary

Distributions: 3H x 3V Spot, 6H x 6V Wide
Lumens: 9,600 - 26,500 (Delivered)
Wattage: 80, 90, 130, 140, 150 and 180 Watts (250-400W replacement)
Efficacy: Up to 156 lm/W
CRI/CCT: 70 / 2200K, 2700K, 3000K, 4000K, 5000K, 5700K

Electrical data (Electronic LED driver)

Power Factor: >0.9
Total Harmonic Distortion: <20%
Minimum Temperature: -40°C
Ambient Temperature Rating: 40°C
Operation: 120-277V 50/60Hz, 347V 60Hz, 480V 60Hz
Controls: 0-10V, NEMA 3-PIN / 7-PIN photocontrol receptacle, Integrated sensor (Dimming and occupancy)

Additional information

Warranty: 5 year
Vibration Tested: 3G
UL/cUL Listed: Wet location
IP66 Rated: Yes (Fixture and optical chamber)
LM79/LM80: Compliant
RoHS: Compliant
EPA: 1.25
Approximate Net Weight: 20 lbs. (9.09 kgs.)

Options and accessories



NEMA 3-PIN photocontrol receptacle



NEMA 7-PIN photocontrol receptacle



Integrated sensor



Top and side visor



Wire guard



Vandal shield



Slipfitter mount
(2" pipe or 2-3/8" O.D. tenon)

Trunnion mount

NOTE: Product specifications subject to change without notice. Visit www.cooperlighting.com to find the most up to date information.



UFLD-L

Utility poles, area, site, off-roadway

UFLD-L

Performance summary

Distributions: 3H x 3V Spot, 6H x 6V Wide

Lumens: 23,300 - 57,900 (Delivered)

Wattage: 180, 240, 250, 270, 280, 320, 370, and 390
(750-1000W replacement)

Efficacy: Up to 163 lm/W

CRI/CCT: 70 / 2200K, 2700K, 3000K, 4000K, 5000K, 5700K

Electrical data (Electronic LED driver)

Power Factor: >0.9

Total Harmonic Distortion: <20%

Minimum Temperature: -40°C

Ambient Temperature Rating: 40°C

Operation: 120-277V 50/60Hz, 347V 60Hz, 480V 60Hz

Controls: 0-10V, NEMA 3-PIN / 7-PIN photocontrol receptacle

Additional information

Warranty: 5 year

Vibration Tested: 3G

UL/cUL Listed: Wet location

IP66 Rated: Yes (Fixture and optical chamber)

LM79/LM80: Compliant

RoHS: Compliant

EPA: 2.5

Options and accessories



NEMA 3-PIN photocontrol receptacle



NEMA 7-PIN photocontrol receptacle



Top and side visor



Wire guard



Vandal shield



Slipfitter mount
(2" pipe or 2-3/8" O.D. tenon)



Yoke mount



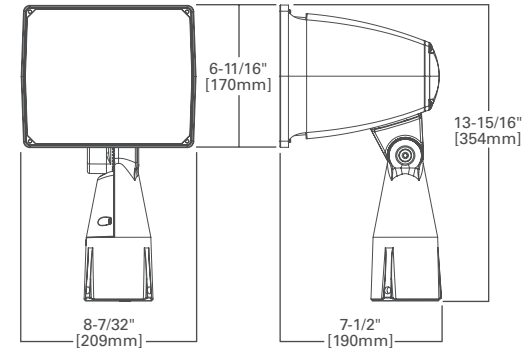
Trunion mount

NOTE: Product specifications subject to change without notice.
Visit www.cooperlighting.com to find the most up to date information.

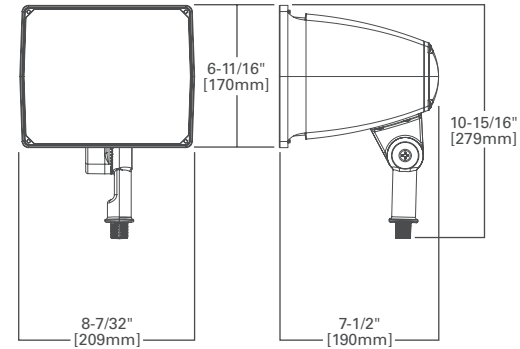
Dimensions

UFLD-S

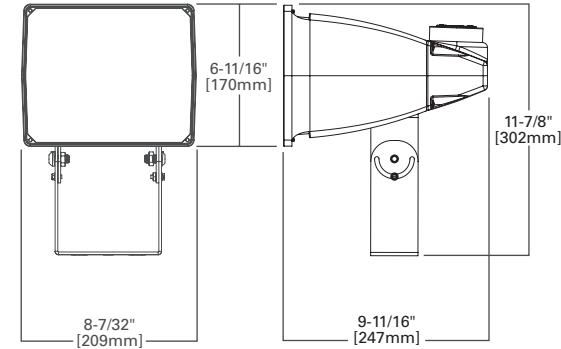
Slipfitter mount



Knuckle mount

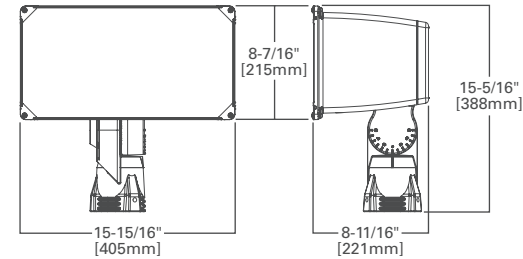


Trunnion mount (Shown with PCR back box)

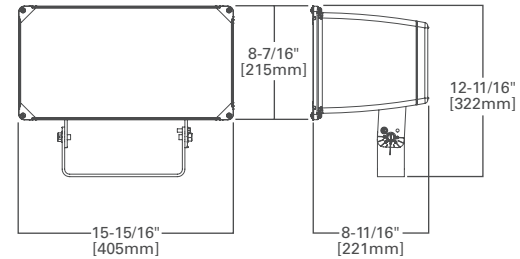


UFLD

Slipfitter mount

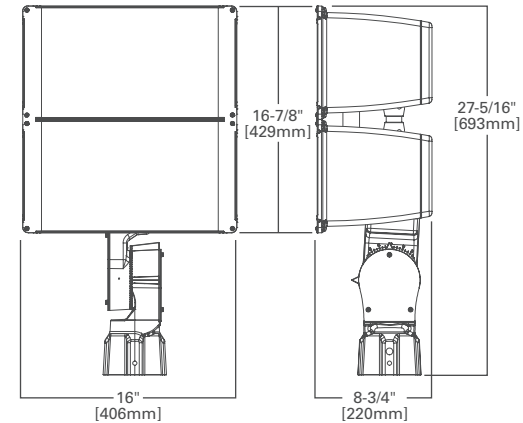


Trunnion mount

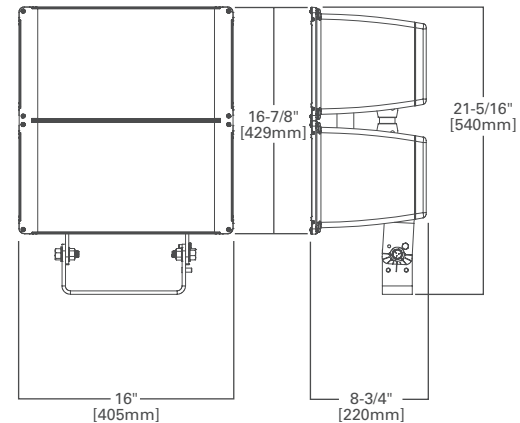


UFLD-L

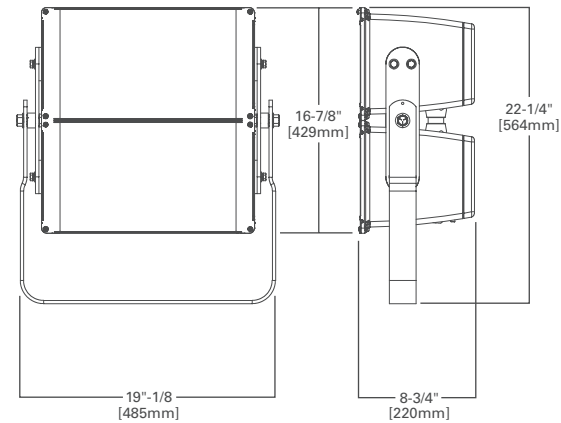
Slipfitter mount



Trunnion mount



Yoke mount

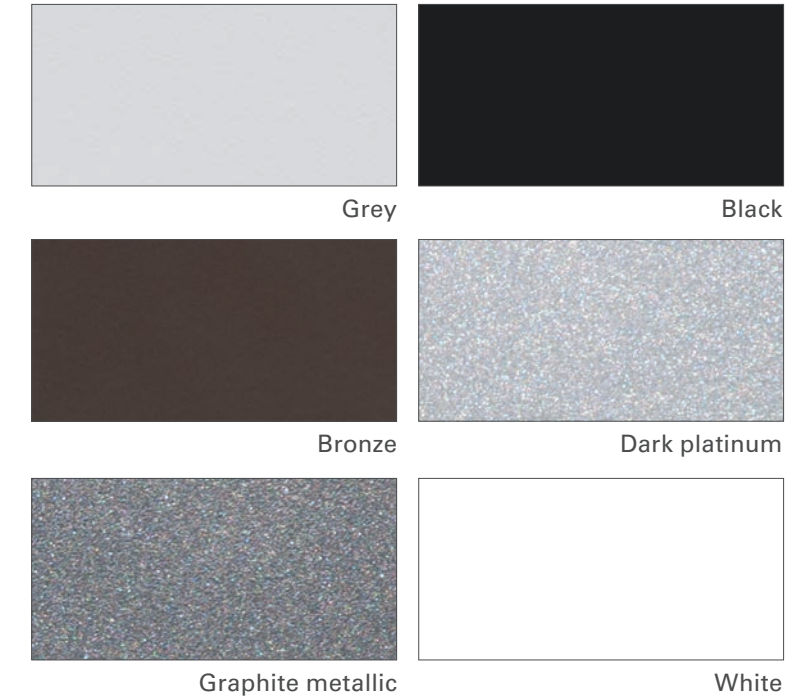


Finish selection

Five-stage super TGIC paint resists extreme weather conditions, while providing optimal color and gloss retention.

Cooper Lighting Solutions utilizes premium ultra-weatherable TGIC based polyester powder coatings that are specifically formulated to withstand extended outdoor exposure. The powders are formulated exclusively for Cooper Lighting Solutions to serve functionally as well as decorative. Good film appearance combined with excellent mechanical and exterior exposure qualities display greater than twice as much gloss retention. Finish is compliant with ASTM B117 3000hr salt spray standard. RAL and custom color matches available.

Product specifications subject to change without notice. Visit www.cooperlighting.com to find the most up to date information.



NOTE: Colors and textures have been matched as close as possible. Paper and ink limitations, as well as the influence of heat and light, account for differences from actual coatings. To aid in final product selection, please contact your local product representative.

Lighting Brands

Ametrix
AtLite
Corelite
Ephesus
Fail-Safe
Halo
Halo Commercial
Invue
io
Iris
Lumark
Lumière
McGraw-Edison
Metalux
MWS
Neo-Ray
Portfolio
RSA
Shaper
Streetworks
Sure-Lites

Controls Brands

Greengate
Fifth Light

Connected Lighting Systems

HALO Home
WaveLinx

IoT Platforms

Trellix

Cooper Lighting Solutions

1121 Highway 74 South
Peachtree City, GA 30269
P: 770-486-4800
www.cooperlighting.com

Canada Sales
5925 McLaughlin Road
Mississauga, Ontario L5R 1B8
P: 905-501-3000
F: 905-501-3172

© 2021 Cooper Lighting Solutions
All Rights Reserved
Printed in USA
Publication No. BR506004EN
May 2021

Cooper Lighting Solutions is a registered trademark.

All other trademarks are property of their respective owners.

Product availability, specifications, and compliances are subject to change without notice.

