

Streetworks

SDL Springdale

Features and Benefits

ENHANCING ARCHITECTURE WITH UNIFORM ILLUMINATION

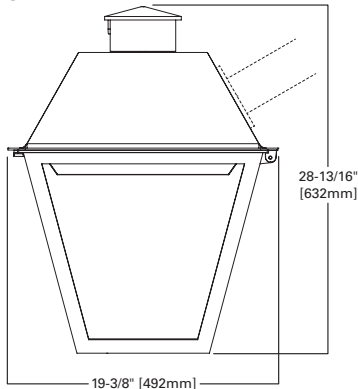
The SDL Springdale LED outdoor luminaire displays the old-fashioned charm of traditional area lighting, enhancing any setting with distinctive styling. As a decorative luminaire, the SDL LED tastefully complements the architectural and environmental design of parks and roadways.

PRODUCT FEATURES

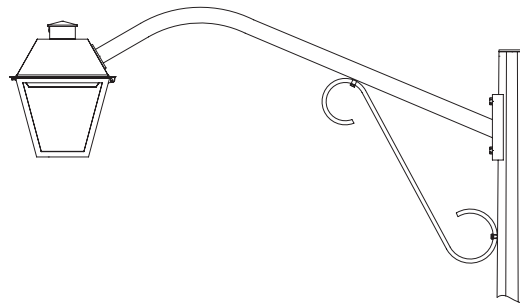
- Lumen packages ranging from 2,000 lumens to 11,000 lumens
- Offered in 2700K, 3000K, 4000K, and 5000K CCTs
- Type II, III, IV, and V distributions available
- Integrated control options via 7-pin receptacle
- Field adjustable dimming controller available

DIMENSIONAL DETAILS

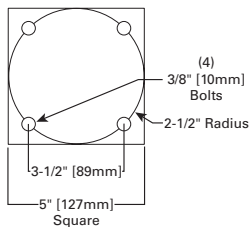
SDL



Mounting Configurations (Arm Sold Separately)



Mounting Detail



SCAN
for more
SDL Springdale
information



QUICK FACTS

- 0-10V dimming driver standard
- Parallel or series surge protection available (10kV, 20kV, 10MSP, 20MSP)
- FADC available for field dimming
- 3G Vibration rated
- Five-year warranty



Cooper Lighting Solutions
1121 Highway 74 South
Peachtree City, GA 30269
P: 770-486-4800
www.cooperlighting.com

© 2021 Cooper Lighting Solutions
All Rights Reserved
Publication No. SA50606821

Cooper Lighting Solutions is a registered trademark.

All other trademarks are property of their respective owners.

Product availability, specifications, and compliances are subject to change without notice.