

Project		Catalog #		Type	
Prepared by		Notes		Date	



Streetworks

SDL Springdale

Decorative Luminaire

Product Features



Product Certifications



Interactive Menu

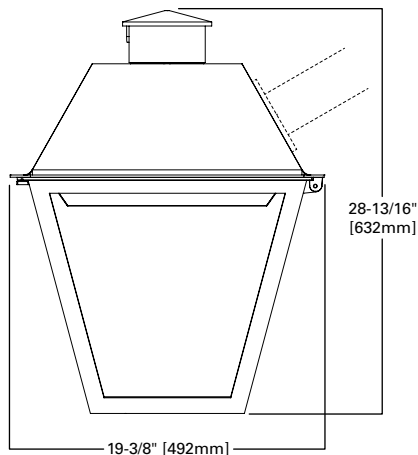
- Ordering Information [page 2](#)
- Product Specifications [page 2](#)
- Energy and Performance Data [page 3](#)

Quick Facts

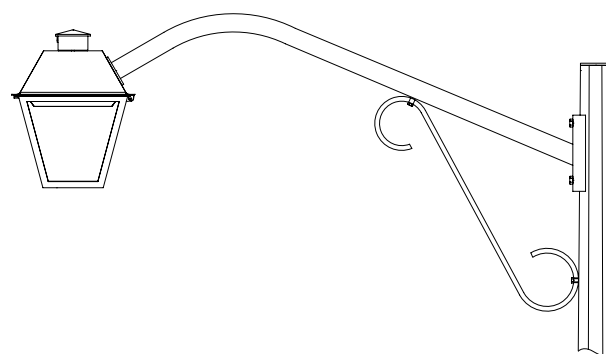
- Lumen packages ranging from 2,000 lumens to 11,000 lumens
- Offered in 2700K, 3000K, 4000K, and 5000K CCTs
- Type II, III, IV, and V distributions available
- Integrated control options via 7-pin receptacle

Dimensional Details

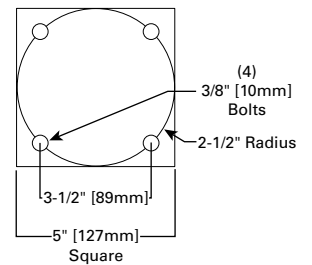
SDL



Mounting Configurations (Arm Sold Separately)



Mounting Detail



NOTE: 1. IDA Certified (3000K CCT and warmer only, fixed mounting options)

Ordering Information

SAMPLE NUMBER: **SDL-PA1-30-740-U-T2U-BK-10K-PR7**

Product Family ¹	Configuration	Wattage Bucket	Color Temperature	Voltage	Distribution	Lens	Finish
SDL=Springdale	PA1=Direct Mount Rectangle (24 LED)	20=20W 30=30W 40=40W 50=50W 60=60W 70=70W 80=80W 90=90W 100=100W	740=70CRI, 4000K 727=70CRI, 2700K ⁶ 827=80CRI, 2700K ⁶ 730=70CRI, 3000K ⁶ 750=70CRI, 5000K ⁶ AMB=Amber 590nm ¹²	U=Universal (120-277V) 8=480V ^{4,5} 9=347V ⁵	T2U=Type II Urban T2R=Type II Roadway T3=Type III T4W=Type IV Wide 5WQ=Type V Square Wide SL3=Type III w/ Spill Control	[Blank]=Open (No Lens) A=Refractive Lens Panels ⁹	AP=Grey BZ=Bronze BK=Black DP=Dark Platinum GM=Graphite Metallic WH=White
Options (Add as Suffix)			Controls		Accessories (Order Separately)		
10K=Series 10kV UL 1449 Surge Protective Device 20K=Series 20kV UL 1449 Surge Protective Device 20KI=Series 20kV UL 1449 Surge Protective Device with light indicator 20MSP=Parallel 20kV MOV Surge Protective Device 10MSP=10kV MOV Surge Protection Device HA=50°C High Ambient Temperature ⁸ W=20" #10 Input Leads BC=Bird Cone ⁹ HSS=Factory Install SDL House Side Shield ¹⁰ PSC=Photocontrol Shorting Cap NPC=NEMA Photocontrol - Multi-Tap LLPC=Longlife Photocontrol Included CC=Coastal construction finish ¹¹			5LTD=DALI ³ PR=NEMA Photocontrol Receptacle ⁷ PR7=NEMA 7-PIN Twistlock Photocontrol Receptacle		OA/RA1013=Photocontrol Shorting Cap OA/RA1014=NEMA Photocontrol - 120V OA/RA1016=NEMA Photocontrol - Multi-Tap OA/RA1027=NEMA Photocontrol - 480V OA/RA1201=NEMA Photocontrol - 347V OA1223=10kV Surge Module Replacement HS-UTLD-24=Field Installed UTLD House Side Shield for PA1 ¹⁰ VGS-ARCH=Short Vertical Drop Shield VGL-ARCH=Long Vertical Drop Shield SCA6000=Decorative Scroll Arm (6 foot) ¹³		
NOTES: 1. Customer is responsible for engineering analysis to confirm pole and fixture compatibility for all applications. Refer to our white paper WP513001EN for additional support information. 2. Reserved. 3. Only available in universal voltage. Consult your lighting representative at Cooper Lighting Solutions if custom programming is required. Not available with PA1-90, PA1-100. Consult your lighting representative at Cooper Lighting Solutions if greater than PA1-80 (83W) is needed. 4. Only for use with 480V Wye systems. Per NEC, not for use with ungrounded systems, impedance grounded systems or corner grounded systems (commonly known as Three Phase Three Wire Delta, Three Phase High Leg Delta and Three Phase Corner Grounded Delta systems). 5. Not available with 5LTD driver. 6. Use dedicated IES files for when performing layouts. These files are published on the SDL Springdale product page on the website. 7. If "PR" selected, dimming functionality not available, dimming leads will be capped. 8. Not available with HSS or 5LTD driver. 9. Lens panel and birdcone cannot be ordered together. 10. HSS not available with 5WQ distribution. 11. Coastal construction finish salt spray tested to over 5,000-hours per ASTM B117, with a scribe rating of 9 per ASTM D1654. 12. Amber 590nm +/- 5nm for wildlife and observatory use. Supplied in PA1-30 wattage bucket only. 13. Standard in black. Additional color finishes available by PDR.							

Product Specifications

Construction

- Heavy-duty die-cast aluminum housing ensures strength of construction and longevity in application.
- Casting is hinged and opens with a simple 1/4 turn thumb screw for ease of maintenance.

Optics

- IDA Certified (3000K CCT and warmer only, fixed mounting options)
- Choice of five patented, high efficiency AccuLED Optic™ technology manufactured from injection-molded acrylic.
- Optics are precisely designed to shape the light output, maximizing efficiency and application spacing.
- AccuLED Optic technology creates consistent distributions with the scalability to meet customized application requirements.
- Offered in 2700K, 3000K, 4000K and 5000K CCTs
- For the ultimate level of spill light control, an optional house side shield accessory can be field or factory installed.
- The house-side shield is designed to integrate seamlessly into the luminaire.

Electrical

- LED drivers mount to die-cast aluminum back housing for optimal heat sinking, operation efficacy, and prolonged life.
- Standard 0-10V dimming drivers feature electronic universal voltage (120-277V 50/60Hz), 347V 60Hz or 480V 60Hz operation, greater than 0.9 power factor, less than 20% harmonic distortion, and is suitable for operation in -40°C to 40°C ambient environments.
- Surge protection options: 10kV/10kA common - and differential - mode surge protection. Optional 20kV (light indicator optional), 10kV MOV, and 20kV MOV surge protection devices.

Mounting

- Decorative scroll arm, ordered separately, secures to casting with four bolts, which are supplied with the luminaire.

Finish

- Cast components finished in a super durable TGIC polyester powder coat paint, 2.5 mil nominal thickness for superior protection against fade and wear.
- Standard colors include black, bronze, grey and white, dark platinum and graphite metallic.
- RAL and custom color matches available.

Typical Applications

- Outdoor, Parking Lots, Walkways, Roadways, Building Areas

Fixture Weight and EPAs

- Effective Projected Area: (Sq. Ft.) 2.22
Weight: 40lbs. (18.14 kgs)

Warranty

- Five-year warranty

Energy and Performance Data

Power and Lumens

[Supplemental Performance Guide](#)

Light Engine *	PA1-20	PA1-30	PA1-40	PA1-50	PA1-60	PA1-70	PA1-80	PA1-90	PA1-100	
Nominal Power (Watts)	21	30	39	52	62	72	82	92	94	
Wattage Label	20	30	40	50	60	70	80	90	100	
Current @ 120V (A)	0.18	0.26	0.34	0.44	0.52	0.61	0.69	0.77	0.78	
Current @ 277V (A)	0.09	0.12	0.15	0.21	0.24	0.28	0.31	0.35	0.35	
Current @ 347V (A)	0.07	0.11	0.14	0.18	0.19	0.22	0.25	0.28	0.28	
Current @ 480V (A)	0.05	0.08	0.10	0.13	0.15	0.17	0.19	0.21	0.21	
Optics										
T2U	4000K	2,779	3,847	5,017	6,509	7,584	8,599	9,440	10,345	10,440
	Lumens per Watt	133	128	127	124	122	119	115	112	111
	BUG Rating	B1-U0-G1	B1-U0-G1	B2-U0-G2	B2-U0-G2	B2-U0-G2	B3-U0-G3	B3-U0-G3	B3-U0-G3	B3-U0-G3
T2U-A	4000K	2,619	3,614	4,713	6,115	7,124	8,078	8,868	9,718	9,807
	Lumens per Watt	125	120	120	117	114	112	108	105	105
	BUG Rating	B1-U2-G1	B1-U3-G1	B2-U3-G2	B2-U3-G2	B2-U3-G2	B3-U3-G3	B3-U3-G3	B3-U3-G3	B3-U3-G3
T2U-HSS	4000K	1,983	2,747	3,583	4,648	5,416	6,141	6,742	7,388	7,456
	Lumens per Watt	95	91	91	89	87	85	82	80	79
	BUG Rating	B0-U0-G1	B1-U0-G1	B1-U0-G1	B1-U0-G1	B1-U0-G1	B1-U0-G2	B1-U0-G2	B1-U0-G2	B1-U0-G2
T2U-HSS-A	4000K	1,874	2,584	3,370	4,373	5,095	5,777	6,342	6,950	7,014
	Lumens per Watt	90	86	86	83	82	80	77	75	75
	BUG Rating	B1-U2-G1	B1-U2-G1	B1-U3-G1	B1-U3-G1	B1-U3-G1	B1-U3-G2	B1-U3-G2	B1-U3-G2	B1-U3-G2
T2R	4000K	2,719	3,767	4,912	6,374	7,426	8,420	9,244	10,130	10,223
	Lumens per Watt	130	125	125	122	119	117	113	110	109
	BUG Rating	B1-U0-G1	B1-U0-G1	B1-U0-G1	B1-U0-G2	B1-U0-G2	B1-U0-G2	B1-U0-G2	B1-U0-G2	B1-U0-G2
T2R-A	4000K	2,559	3,117	4,065	5,274	6,145	6,967	7,649	8,382	8,459
	Lumens per Watt	122	104	103	101	98	97	93	91	90
	BUG Rating	B1-U2-G1	B1-U2-G1	B1-U3-G2	B1-U3-G2	B1-U3-G2	B1-U3-G2	B1-U3-G2	B1-U3-G2	B1-U3-G2
T2R-HSS	4000K	2,235	3,096	4,038	5,239	6,104	6,921	7,598	8,326	8,403
	Lumens per Watt	107	103	102	100	98	96	93	90	90
	BUG Rating	B0-U0-G1	B0-U0-G1	B0-U0-G1	B0-U0-G1	B0-U0-G2	B0-U0-G2	B0-U0-G2	B1-U0-G2	B1-U0-G2
T2R-HSS-A	4000K	2,095	2,891	3,770	4,891	5,698	6,462	7,094	7,774	7,845
	Lumens per Watt	100	96	96	93	91	89	87	84	84
	BUG Rating	B0-U2-G1	B0-U2-G1	B1-U3-G1	B1-U3-G1	B1-U3-G1	B1-U3-G2	B1-U3-G2	B1-U3-G2	B1-U3-G2
T3	4000K	2,736	3,787	4,939	6,409	7,467	8,466	9,295	10,186	10,279
	Lumens per Watt	131	126	125	122	120	117	113	110	110
	BUG Rating	B1-U0-G1	B1-U0-G2	B1-U0-G2	B1-U0-G2	B2-U0-G2	B2-U0-G3	B2-U0-G3	B2-U0-G3	B2-U0-G3
T3-A	4000K	2,580	3,560	4,643	6,024	7,018	7,958	8,736	9,573	9,661
	Lumens per Watt	123	118	118	115	112	110	107	104	103
	BUG Rating	B1-U3-G1	B1-U3-G2	B1-U3-G2	B1-U3-G2	B2-U3-G3	B2-U3-G3	B2-U3-G3	B2-U3-G3	B2-U3-G3
T3-HSS	4000K	2,036	2,819	3,676	4,770	5,557	6,301	6,918	7,581	7,650
	Lumens per Watt	97	94	93	91	89	87	84	82	82
	BUG Rating	B0-U0-G1	B0-U0-G1	B0-U0-G1	B1-U0-G2	B1-U0-G2	B1-U0-G2	B1-U0-G2	B1-U0-G2	B1-U0-G2
T3-HSS-A	4000K	1,921	2,652	3,458	4,487	5,228	5,928	6,508	7,132	7,197
	Lumens per Watt	92	88	88	86	84	82	79	77	77
	BUG Rating	B0-U2-G1	B0-U3-G1	B1-U3-G1	B1-U3-G2	B1-U3-G2	B1-U3-G2	B1-U3-G2	B1-U3-G2	B1-U3-G2
T4W	4000K	2,709	3,782	4,932	6,400	7,456	8,454	9,281	10,171	10,264
	Lumens per Watt	130	126	125	122	119	117	113	110	109
	BUG Rating	B1-U0-G1	B1-U0-G2	B1-U0-G2	B1-U0-G3	B2-U0-G3	B2-U0-G3	B2-U0-G3	B2-U0-G3	B2-U0-G3
T4W-A	4000K	2,542	3,507	4,574	5,935	6,914	7,840	8,607	9,432	9,519
	Lumens per Watt	122	117	116	113	111	109	105	102	101
	BUG Rating	B1-U3-G2	B1-U3-G2	B1-U3-G2	B1-U3-G3	B2-U3-G3	B2-U3-G3	B2-U3-G3	B2-U3-G3	B2-U3-G3

NOTE: * Photometric data is reported for lower hemisphere only.

Power and Lumens

Supplemental Performance Guide

Light Engine *		PA1-20	PA1-30	PA1-40	PA1-50	PA1-60	PA1-70	PA1-80	PA1-90	PA1-100
Nominal Power (Watts)		21	30	39	52	62	72	82	92	94
Wattage Label		20	30	40	50	60	70	80	90	100
Current @ 120V (A)		0.18	0.26	0.34	0.44	0.52	0.61	0.69	0.77	0.78
Current @ 277V (A)		0.09	0.12	0.15	0.21	0.24	0.28	0.31	0.35	0.35
Current @ 347V (A)		0.07	0.11	0.14	0.18	0.19	0.22	0.25	0.28	0.28
Current @ 480V (A)		0.05	0.08	0.10	0.13	0.15	0.17	0.19	0.21	0.21
Optics										
T4W-HSS	4000K	1,990	2,754	3,592	4,660	5,429	6,156	6,759	7,406	7,474
	Lumens per Watt	95	91	91	89	87	85	82	80	80
	BUG Rating	B0-U0-G1	B0-U0-G1	B0-U0-G2	B1-U0-G2	B1-U0-G2	B1-U0-G2	B1-U0-G2	B1-U0-G2	B1-U0-G3
T4W-HSS-A	4000K	1,869	2,579	3,363	4,364	5,084	5,765	6,329	6,935	6,999
	Lumens per Watt	89	86	85	83	81	80	77	75	75
	BUG Rating	B0-U2-G1	B0-U3-G1	B1-U3-G2	B1-U3-G2	B1-U3-G2	B1-U3-G2	B1-U3-G2	B1-U3-G3	B1-U3-G3
5WQ	4000K	2,841	3,927	5,112	6,634	7,744	8,782	9,640	10,544	10,641
	Lumens per Watt	136	130	130	127	124	122	118	114	113
	BUG Rating	B2-U0-G1	B3-U0-G2	B3-U0-G2	B3-U0-G2	B3-U0-G2	B3-U0-G2	B3-U0-G2	B4-U0-G3	B4-U0-G3
5WQ-A	4000K	2,657	3,666	4,781	6,203	7,227	8,195	8,997	9,859	9,949
	Lumens per Watt	127	122	121	118	116	114	110	107	106
	BUG Rating	B2-U3-G1	B3-U3-G2	B3-U3-G2	B3-U3-G2	B3-U3-G3	B3-U3-G3	B4-U3-G3	B4-U3-G3	B4-U3-G3
SL3	4000K	2,731	3,782	4,932	6,400	7,456	8,454	9,281	10,171	10,264
	Lumens per Watt	131	126	125	122	119	117	113	110	109
	BUG Rating	B1-U0-G2	B1-U0-G2	B1-U0-G2	B1-U0-G3	B1-U0-G3	B1-U0-G3	B1-U0-G3	B2-U0-G3	B2-U0-G3
SL3-A	4000K	2,564	3,538	4,614	5,986	6,974	7,908	8,682	9,514	9,601
	Lumens per Watt	123	118	117	114	112	110	106	103	102
	BUG Rating	B1-U2-G2	B1-U3-G2	B1-U3-G2	B1-U3-G3	B1-U3-G3	B2-U3-G3	B2-U3-G3	B2-U3-G3	B2-U3-G3
SL3-HSS	4000K	2,302	3,175	4,141	5,372	6,259	7,097	7,791	8,538	8,616
	Lumens per Watt	110	105	105	103	100	98	95	92	92
	BUG Rating	B0-U0-G1	B0-U0-G1	B0-U0-G2	B1-U0-G2	B1-U0-G2	B1-U0-G2	B1-U0-G2	B1-U0-G3	B1-U0-G3
SL3-HSS-A	4000K	2,164	2,986	3,894	5,052	5,886	6,674	7,327	8,030	8,103
	Lumens per Watt	104	99	99	96	94	92	89	87	86
	BUG Rating	B0-U2-G1	B0-U3-G2	B1-U3-G2	B1-U3-G2	B1-U3-G2	B1-U3-G3	B1-U3-G3	B1-U3-G3	B1-U3-G3

NOTE: * Photometric data is reported for lower hemisphere only.

Lumen Maintenance

Light Engine	Ambient Temperature	TM-21 Lumen Maintenance (60,000 Hours)	Theoretical L70 (Hours)
PA1	Up to 40°C	> 98%	> 800,000

Lumen Multiplier

Ambient Temperature	Lumen Multiplier
0°C	1.02
10°C	1.01
25°C	1.00
40°C	0.99
50°C	0.97