

DESCRIPTION

The RMA/RMC Security Light comes complete and ready for mounting in areas such as barnyards, service drives, storage facilities and roadways with light traffic.

Catalog #		Type
Project		
Comments		Date
Prepared by		

SPECIFICATION FEATURES

Construction

HOUSING: Die-cast aluminum head with slipfitter for 1-5/8" to 2-3/8" O.D. pipe.

Optical

OPTICS: Open bottom acrylic refractor standard on RMA. RMC has full cutoff Type V reflector.

Electrical

LAMP: Choice of High Pressure Sodium and Pulse Start Metal Halide lamp sources. SOCKET: HPS: Mogul-base, MP: Medium-base Standard (Mogul-base Optional). PHOTOCONTROL: Optional NEMA photocontrol available.

Mounting

Can be pole or wall mounted.

Finish

Standard natural aluminum finish.

Efficiency Standards Notice

Select luminaires are manufactured to USA and California efficiency regulations.

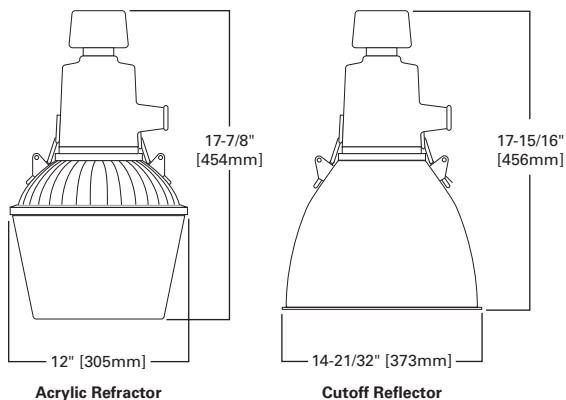


RMA/RMC SECURITY LIGHT

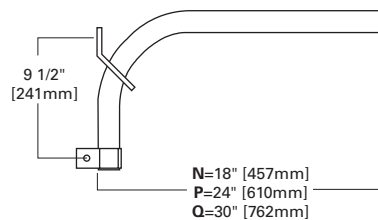
Pulse Start Metal Halide
High Pressure Sodium

ROADWAY LUMINAIRE

DIMENSIONS



BRACKET



EPA

Effective Projected Area:
1.2 Square Feet

SHIPPING DATA

Approximate Net Weight:
31 lbs. (14 kgs.)



ORDERING INFORMATION

Sample Number: RMA50SR255LPV5

Product Family	Lamp Wattage	Lamp Type ³	Ballast Type ³	Voltage ²	Distribution
RMA=Acrylic Refractor RMC=Cutoff Reflector ¹	Pulse Start Metal Halide 10=100W High Pressure Sodium 50=50W 70=70W 10=100W 15=150W ² 20=200W	P=Pulse Start Metal Halide S=High Pressure Sodium ⁴	N=Hi. React./NPF R=React./NPF P=Hi. React./HPF ⁵	2=120V 4=240V P=240V w/PCR wired 120V	22=Type II 33=Type III 55=Type V XX=None
Options (Add as Suffix)			Accessories (Order Separately)		
L=Lamp Included H=Plug-in Starter Receptacle S=Shorting Cap N=18" Bracket P=24" Bracket Q=30" Bracket T=(2) 30" #14 Leads V=(2) 5" #14 Leads W=(2) 7" #14 Leads Y=Mogul-base for Pulse Start Metal Halide ⁶ U=UL/CSA Listed Z=ANSI Wattage/Source Label G=Birdguard Kit ⁷ F=Spring Type Clamping Band 5=120V NEMA Photocontrol			RA1028=House Side Shield RMCR5=Type V Full Cutoff Reflector		

NOTES:

1. Available in Type V only.
2. 150W Units are for S55 Lamps.
3. Consult a Cooper Lighting Solutions representative for lamp/ballast type/voltage compatibility.
4. Terminal block sockets standard on HPS. Not available on Pulse Start Metal Halide units. Requires the use of separate terminal block.
5. Pulse start metal halide EISA compliant high reactance ballasts are available in 100 watts.
6. Available with 100W Pulse Start Metal Halide only.
7. Not available with plug-in starter option.