

## DESCRIPTION

The OVV Low-Profile Drop Prismatic roadway luminaire is ideal for roadways, parking areas, residential neighborhoods and bridge structures. Suitable for 3G vibration conditions. Up to 65% less glare than typical drop lens refractor.

<b>Catalog #</b>		<b>Type</b>
<b>Project</b>		
<b>Comments</b>		<b>Date</b>
<b>Prepared by</b>		

## SPECIFICATION FEATURES

### Construction

**HOUSING:** Die-cast aluminum housing with stainless steel bail latch. 3G vibration rated. **DOOR:** Die-cast aluminum door frame with integral hinges for hands-free installation, relamping and maintenance. ANSI wattage/source label.

### Optical

**LENS:** Removable borosilicate glass refractor for use with High Pressure Sodium lamp source. Low profile glass provides 65% less glare than typical drop lens reflectors. **REFLECTOR:** The optical system is a hydroformed anodized aluminum reflector with a Dacron polyester filter.

### Electrical

**SOCKET:** Adjustable mogul-base porcelain socket. **BALLAST ASSEMBLY:** Hard mounted ballast with encapsulated starter for protection from environmental abuse. Standard two position tunnel type compression terminal block. Optional swing-down ballast bridge also available (Not available for 3G applications). **PHOTOCONTROL:** Optional NEMA twistlock photocontrol receptacle also available.

### Mounting

Two-bolt/one bracket slipfitter with cast-in pipe stop and leveling steps. Fixed-in-place birdguard seals around 1-1/4" or 2" mounting arms (Birdguard not needed for 2" arm).

### Finish

Standard grey polyester powder coat finish. Optional bronze, black and white finishes available.



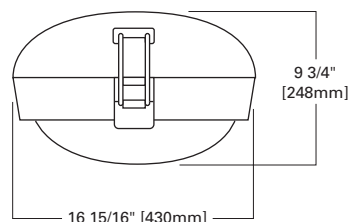
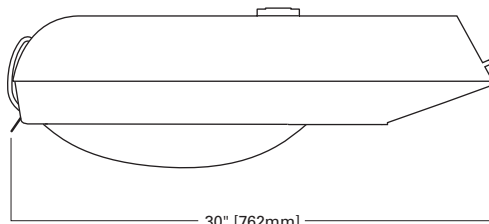
## OVV LOW-PROFILE DROP PRISMATIC

150 - 400W

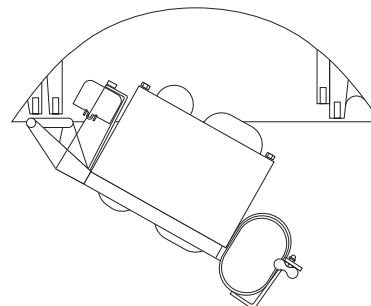
High Pressure Sodium

ROADWAY LUMINAIRE

## DIMENSIONS

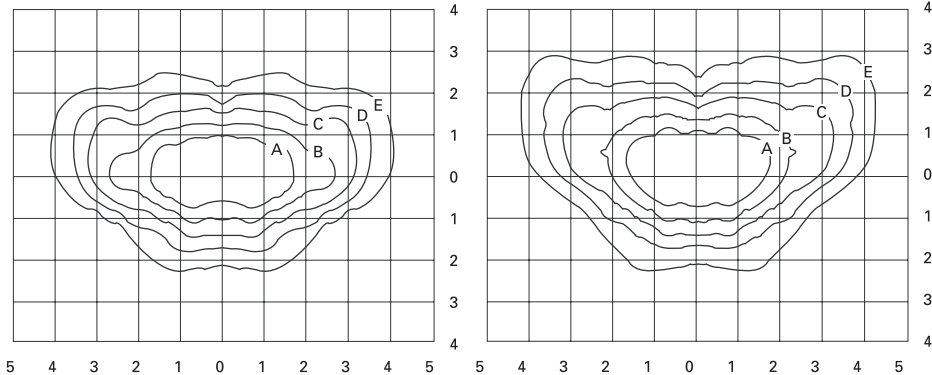


## SWING-DOWN BALLAST MODULE



**EPA**  
Effective Projected Area:  
.51 Square Feet

**SHIPPING DATA**  
Approximate Net Weight:  
33 lbs. (15 kgs.)



**OVY40Sww2D**  
400—Watt HPS  
50,000—Lumen Clear Lamp  
Type II-Medium Cutoff

**OVY40Sww3E**  
400—Watt HPS  
50,000—Lumen Clear Lamp  
Type III-Medium Semi-Cutoff

**Footcandle Table**

Select mounting height and read across for footcandle values of each isofootcandle line. Distance in units of mounting height.

Mounting Height	Footcandle Values for Isofootcandle Lines				
	A	B	C	D	E
<b>OVY40Sww2D / Ovy40Sww3E</b>					
25'	3.80	1.90	0.95	0.38	0.19
30'	2.80	1.40	0.70	0.28	0.14
<b>35'</b>	<b>2.00</b>	<b>1.00</b>	<b>0.50</b>	<b>0.20</b>	<b>0.10</b>
40'	1.54	0.77	0.39	0.15	0.08

**PHOTOMETRIC DISTRIBUTION (CURVE NUMBER)**

Wattage	Light Source <sup>1</sup>	Lens Type	III MSCO	IV MSCO	II MCO	III MCO
150	HPS	Low Profile Glass	N/A	N/A	OVY15S2D (150W)	OVY15S3D (150W)
200-400	HPS	Low Profile Glass	OVY40S3E (400W)	OVY40S4E (400W)	OVY40S2D (400W)	N/A

NOTE: 1 All light sources are clear unless noted otherwise.

**ORDERING INFORMATION**

Sample Number: Ovy15Sww2D4

Product Family <sup>1</sup>	Lamp Wattage	Lamp Type	Ballast Type	Voltage	Distribution <sup>3</sup>	Optical Package
OVY=Low-Profile Drop Prismatic	High Pressure Sodium 15=150W <sup>2</sup> 20=200W 25=250W 40=400W 24=250/400W wired 250W 42=400/250W wired 400W	S=High Pressure Sodium	C=CWI H=Reac./HPF K=10KV CWA N=Hi.Reac./NPF P=Hi. Reac./HPF R=Reac./NPF W=CWA M=Mag. Reg.	2=120V 0=208V 4=240V 7=277V 8=480V 9=347V F=120/240V, wired 120V W=Multi-Tap, wired 120V P=240V with PCR, wired 120V V=Multi-Tap, wired 240V N=Multi-Tap, wired 277V	2=Type II 3=Type III 4=Type IV	D=MCO E=MSCO J=LNCO
<b>Options (Add as Suffix)</b>				<b>Accessories (Order Separately)</b>		
1=Single Fuse (120, 277 or 347V) 2=Double Fuse (208, 240 or 480V) 4=NEMA Photocontrol Receptacle WH=White BK=Black BZ=Bronze A=Raw Aluminum Unfinished				E=150/100V HPS Ballast L=Lamp Included H=Plug-in Starter Receptacle K=Level Indicator M=MOV Lightning Surge Protectors <sup>4</sup> T=Swing-down Ballast Bridge U=U.L./CSA Listed 3=Three Position Terminal Block		
				OA/RA1016=NEMA Photocontrol - Multi-Tap OA/RA1027=NEMA Photocontrol - 480V OA/RA1014=NEMA Photocontrol - 120V RA1003=Cutoff Visor OA1215=TufGuard Vandal Shield OA/RA1013=Photocontrol Shorting Cap		

**NOTES:**

- Customer is responsible for engineering analysis to confirm pole and fixture compatibility for all applications. Refer to our white paper WP513001EN for additional support information.
- 150W Units are for S55 Lamps.
- Other distributions and cutoffs available. Consult your lighting representative at Cooper Lighting Solutions for more information.
- MOV option not available for any system requiring a three position terminal block (example - 240V with PCR wired 120V). In order for MOV option to function center terminal of three position terminal block must be connected to "Earth" ground.