

Project		Catalog #		Type	
Prepared by		Notes		Date	



# Streetworks

## MPW Woodbridge

### Decorative Post Top Luminaire

#### Typical Applications

Outdoor • Parking Lots • Walkways • Roadways • Building Areas

#### Interactive Menu

- Ordering Information page 2
- Product Specifications page 2
- Energy and Performance Data page 3

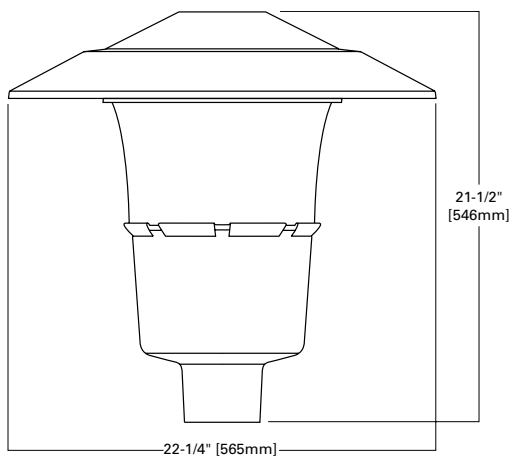
#### Product Certifications



#### Quick Facts

- Heavy duty cast aluminum housing with tool-less entry
- 0-10V dimming standard; Control options available
- 7 lumen packages up to 6,200 lumens
- Efficacies up to 103LPW

#### Dimensional Details



#### NOTES:

1. Visit <https://www.designlights.org/search/> to confirm qualification. Not all product variations are DLC qualified.

## Ordering Information

SAMPLE ORDER NUMBER: **MPW-A2-D-U-SYM-4-AP**

Product Family <sup>1</sup>	Light Engine	Driver	Voltage	Distribution	Color
<b>MPW</b> =Woodbridge <b>BAA-MPW</b> =Woodbridge Buy American Act Compliant <sup>9</sup> <b>TAA-MPW</b> =Woodbridge Trade Agreements Act Compliant <sup>9</sup>	<b>A2</b> <b>A3</b> <b>A4</b> <b>A5</b> <b>A6</b> <b>A7</b>	<b>D</b> =Dimming <b>5TLD</b> =Dali <sup>2</sup>	<b>U</b> =Universal (120-277V) <b>9</b> =347V <b>8</b> =480V	<b>SYM</b> =Symmetric <b>ASYM</b> =Asymmetric	<b>AP</b> =Grey <b>BZ</b> =Bronze <b>BK</b> =Black <b>DP</b> =Dark Platinum <b>WH</b> =White
Options (Add as Suffix)			Accessories (Order Separately) <sup>10</sup>		
<b>7030</b> =70 CRI / 3000K <sup>3</sup> <b>7027</b> =70 CRI / 2700K <sup>3</sup> <b>4</b> =NEMA 3-PIN Photocontrol Receptacle (Internal Mount) <sup>4</sup> <b>4N7</b> =NEMA 7-PIN Photocontrol Receptacle (Internal Mount) <sup>4</sup> <b>4N7E</b> =Nema 7-Pin Photocontrol Receptacle (External Top Mount) <b>10MSP</b> =10kV MOV Surge Protective Device <b>NPC</b> =NEMA Photocontrol - Multi-Tap <sup>6,7</sup> <b>PSC</b> =Photocontrol Shorting Cap <sup>7</sup> <b>HSS</b> =House Side Shield 180 Degree Cutoff <b>W</b> =20' #10 Leads <b>HA</b> =High Ambient <b>AHD145</b> =After Hours Dim, 5 Hours <sup>5</sup> <b>AHD245</b> =After Hours Dim, 6 Hours <sup>5</sup> <b>AHD255</b> =After Hours Dim, 7 Hours <sup>5</sup> <b>AHD355</b> =After Hours Dim, 8 Hours <sup>5</sup> <b>20MSP</b> =20kV MOV Surge Protections Device <b>20K</b> =20kV UL 1449 Surge Protection Device <b>LLPC</b> =Long Life Photocontrol (Included) <sup>7</sup> <b>AN8</b> =M2M Antennae (915MHz) <sup>8</sup>			<b>OA/RA1016</b> =NEMA Photocontrol Multi-Tap <b>OA/RA1013</b> =Photocontrol Shorting Cap <b>OA1223</b> =10kV/10kA UL 1449 Surge Module Replacement <b>MPX-HSS</b> =Field Install House Side Shield 180 Degree Cutoff <b>OA/RA1027</b> =NEMA Photocontrol 480V <b>OA/RA1201</b> =NEMA Photocontrol 347V		
<b>NOTES:</b> 1. Customer is responsible for engineering analysis to confirm pole and fixture compatibility for all applications. Refer to our white paper WP513001EN for additional support information. 2. A7 not available with DALI. 3. Use dedicated IES files for various CCTs and CRIs when performing layouts. These files are published on the Utility LED Acorn luminaire product page on the website. 4. Total height of photocontrol/node cannot exceed 4.3'. 5. Requires the use of Photocontrol (4, 4N7 or 4N7E) receptacle. See After Hours Dim supplemental guide for additional information. 6. Available with universal voltage only. 7. A photocontrol receptacle "4", "4N7" or "4N7E" must also be selected. 8. For use with third party control systems where M2M is required. 9. Only product configurations with these designated prefixes are built to be compliant with the Buy American Act of 1933 (BAA) or Trade Agreements Act of 1979 (TAA), respectively. Please refer to <a href="#">DOMESTIC PREFERENCES</a> website for more information. Components shipped separately may be separately analyzed under domestic preference requirements. 10. Accessories sold separately will be separately analyzed under domestic preference requirements. Consult factory for further information.					

## Product Specifications

### Construction

- Die-cast aluminum housing with spun and stamped aluminum top
- Overcenter latch for relamping and power module access
- Top is completely removable without the use of tools
- ANSI wattage/ source label

### Optical

- Injection molded acrylic refractor available in symmetric or asymmetric distributions
- Offered standard in 4000K (+/- 275K) CCT and minimum 70 CRI

- Electrical 120-277V 50/60Hz operation standard. 480V and 347V available as options
- 10kV/10kA common and differential mode surge protection standard
- Thermal management transfers heat rapidly away from the LED source for optimal efficiency and light output. Ambient operating temperature from -40°C to 40°C
- Standard three-position tunnel type compression terminal block
- 0-10V dimming driver standard
- Photocontrol and After Hours Dim options available. Refer to control options section

### Mounting

- Post top mount fits 3" O.D. tenons. Secured by square head 3/8" stainless steel mounting bolts

### Shipping Data

- Approximate Net Weight: 34 lbs. (14 kgs.)
- Effective Projected Area: 1.7 (Sq. ft.)

### Warranty

- Five-year warranty

## Control Options

### Photocontrol (4 and 4N7)

Optional photocontrol receptacles provide a flexible solution to enable "dusk-to-dawn" lighting by sensing light levels. Advanced control systems compatible with NEMA 7-PIN standards can be utilized with the 4N7 receptacle.

## Energy and Performance Data

### Power and Lumens (SYM)

Light Engine		A2	A3	A4	A5	A6	A7
Drive Current (mA)		380	620	830	1100	1400	1500
Power (Watts)		18	29	39	51	64	69
Wattage Label		20	30	40	50	60	70
Input Current @ 120V (A)		0.15	0.24	0.33	0.44	0.55	0.59
Input Current @ 277V (A)		0.07	0.11	0.15	0.2	0.24	0.26
Optics							
SYM	4000K Lumens	2,057	3,267	4,269	5,360	6,539	6,896
	Bug Rating	B1-U3-G3	B2-U4-G3	B2-U4-G3	B2-U4-G4	B3-U5-G4	B3-U5-G5
	3000K Lumens	2,006	3,186	4,163	5,227	6,376	6,725
	Bug Rating	B1-U3-G2	B2-U4-G3	B2-U4-G3	B2-U4-G4	B3-U5-G4	B3-U5-G5
	2700K Lumens	1,910	3,033	3,964	4,977	6,072	6,403
	Bug Rating	B1-U3-G2	B1-U4-G3	B2-U4-G3	B2-U4-G4	B2-U5-G4	B3-U5-G4

### Power and Lumens (ASYM)

Light Engine		A2	A3	A4	A5	A6	A7
Drive Current (mA)		380	620	830	1100	1400	1500
Power (Watts)		18	29	40	51	64	70
Wattage Label		20	30	40	50	60	70
Input Current @ 120V (A)		0.15	0.24	0.33	0.44	0.55	0.59
Input Current @ 277V (A)		0.07	0.11	0.15	0.2	0.24	0.26
Optics							
ASYM	4000K Lumens	2,041	3,216	4,167	5,194	6,267	6,591
	Bug Rating	B1-U3-G3	B1-U4-G3	B1-U4-G4	B2-U4-G4	B2-U5-G5	B2-U5-G5
	3000K Lumens	1,990	3,136	4,063	5,065	6,111	6,427
	Bug Rating	B1-U3-G3	B1-U4-G3	B1-U4-G4	B2-U4-G4	B2-U5-G5	B2-U5-G5
	2700K Lumens	1,895	2,986	3,869	4,823	5,819	6,120
	Bug Rating	B1-U3-G3	B1-U3-G3	B1-U4-G4	B2-U4-G4	B2-U4-G5	B2-U5-G5

### Lumen Maintenance

Ambient Temperature	TM-21 Lumen Maintenance (60,000 Hours)	Projected L70 (Hours)
Up to 40°C	> 73%	69,000