

## DESCRIPTION

The New Haven LED integrates energy saving LED technology with a proven post-top design.

<b>Catalog #</b>		<b>Type</b>
<b>Project</b>		
<b>Comments</b>		<b>Date</b>
<b>Prepared by</b>		

## SPECIFICATION FEATURES

### Construction

Die-cast aluminum housing with spun and stamped aluminum top. Overcenter latch for relamping and power module access. Top is completely removable without the use of tools. ANSI wattage/source label.

### Optical

Injection molded acrylic refractor available in symmetric or asymmetric distributions. Offered standard in 4000K (+/- 275K) CCT and minimum 70 CRI.

### Electrical

120-277V 50/60Hz operation standard. 480V and 347V available as options. 10kV /10kA common and differential mode surge protection standard. Thermal management transfers heat rapidly away from the LED source for optimal efficiency and light output. Ambient operating temperature from -40°C to 40°C. Standard three-position tunnel type compression terminal block.

### Controls

0-10V dimming driver standard. Photocontrol and After Hours Dim options available. Refer to control options section.

### Mounting

Post top mount fits 3" O.D. tenons. Secured by square head 3/8" stainless steel mounting bolts. Options to meet Buy American and other domestic preference requirements.

### Warranty

Five-year warranty.

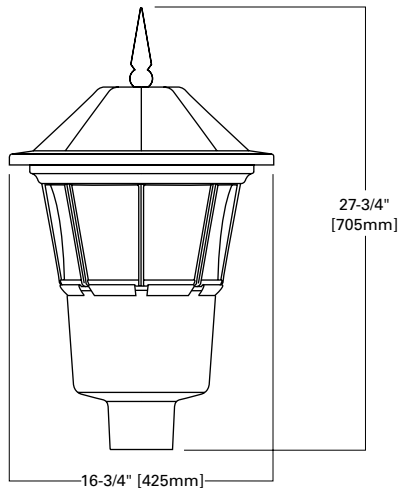


**MPN**  
**NEW HAVEN**

LED

**DECORATIVE POST TOP  
LUMINAIRE**

## DIMENSIONS



## CERTIFICATION DATA



## EPA

**Effective Projected Area:**  
1.7 Square Feet

## SHIPPING DATA

**Approximate Net Weight:**  
34 lbs. (14 kgs.)

**CONTROL OPTIONS**

**Photocontrol** (4 or 4N7)

Optional photocontrol receptacles provide a flexible solution to enable "dusk-to-dawn" lighting by sensing light levels. Advanced control systems compatible with NEMA 7-PIN standards can be utilized with the 4N7 receptacle.

**After Hours Dim** (AHD)

This feature allows photocontrol-enabled luminaires to achieve additional energy savings by dimming during scheduled portions of the night. The dimming profile will automatically take effect after a "dusk-to-dawn" period has been calculated from the photocontrol input. Specify the desired dimming profile for a simple, factory-shipped dimming solution requiring no external control wiring. Reference the After Hours Dim supplemental guide for additional information.

**POWER AND LUMENS**

Light Engine		A2	A3	A4	A5	A6	A7
Nominal Power (Watts)		18	29	39	51	64	69
Wattage Label		20	30	40	50	60	70
Input Current @ 120V		0.15	0.24	0.33	0.44	0.55	0.59
Input Current @ 277V		0.07	0.11	0.15	0.2	0.24	0.26
Optics							
SYM	4000K	1,861	2,956	3,863	4,850	5,917	6,240
	BUG Rating	B1-U3-G2	B1-U3-G3	B2-U4-G3	B2-U4-G4	B2-U4-G4	B2-U4-G4
	3000K	1,815	2,883	3,767	4,729	5,770	6,085
	BUG Rating	B1-U3-G2	B1-U3-G3	B2-U4-G3	B2-U4-G4	B2-U4-G4	B2-U4-G4
	2700K	1,728	2,745	3,587	4,503	5,494	5,794
	BUG Rating	B1-U3-G2	B1-U3-G3	B2-U4-G3	B2-U4-G3	B2-U4-G4	B2-U4-G4

**POWER AND LUMENS**

Light Engine		A2	A3	A4	A5	A6	A7
Nominal Power (Watts)		18	29	40	51	64	70
Wattage Label		20	30	40	50	60	70
Input Current @ 120V		0.15	0.24	0.33	0.44	0.55	0.59
Input Current @ 277V		0.07	0.11	0.15	0.2	0.24	0.26
Optics							
ASYM	4000K	1,845	2,907	3,767	4,696	5,666	5,959
	BUG Rating	B1-U3-G3	B1-U3-G3	B1-U4-G4	B1-U4-G4	B2-U4-G5	B2-U4-G5
	3000K	1,799	2,835	3,674	4,579	5,525	5,811
	BUG Rating	B1-U3-G3	B1-U3-G3	B1-U4-G3	B1-U4-G4	B2-U4-G4	B2-U4-G5
	2700K	1,713	2,700	3,498	4,360	5,261	5,533
	BUG Rating	B1-U3-G3	B1-U3-G3	B1-U4-G3	B1-U4-G4	B2-U4-G4	B2-U4-G4

**LUMEN MAINTENANCE**

Ambient Temperature	TM-21 Lumen Maintenance (60,000 Hours)	Projected L70 (Hours)
Up to 40°C	> 73%	69,000

**ORDERING INFORMATION**

Sample Number: MPN-A5-D-U-ASYM-7030-4N7-10MSP-W-BK

Product Family <sup>1</sup>	Light Engine	Driver	Voltage	Distribution	Options (Add as Needed)	Color	Accessories (Order Separately) <sup>10</sup>
<b>MPN</b> =New Haven <b>BAA-MPN</b> =New Haven Buy American Act Compliant <sup>9</sup> <b>TAA-MPN</b> =New Haven Trade Agreements Act Compliant <sup>9</sup>	<b>A2</b> <b>A3</b> <b>A4</b> <b>A5</b> <b>A6</b> <b>A7</b>	<b>D</b> =Dimming <b>5TLD</b> =Dali <sup>2</sup>	<b>U</b> =Universal (120-277V) <b>9</b> =347V <b>8</b> =480V	<b>SYM</b> =Symmetric <b>ASYM</b> =Asymmetric	<b>7030</b> =70 CRI / 3000K <sup>3</sup> <b>7027</b> =70 CRI / 2700K <sup>3</sup> <b>4</b> = NEMA 3-PIN Photocontrol Receptacle (Internal Mount) <sup>4</sup> <b>4N7</b> =NEMA 7-PIN Photocontrol Receptacle (Internal Mount) <sup>4</sup> <b>10K</b> =10kV UL 1449 Surge Protective Device <b>10MSP</b> =10kV MOV Surge Protective Device <b>NPC</b> =NEMA Photocontrol - Multi-Tap <sup>6,7</sup> <b>PSC</b> =Photocontrol Shorting Cap <sup>7</sup> <b>HSS</b> =House Side Shield 180 Degree Cutoff <b>W</b> =20' #10 Leads <b>HA</b> =High Ambient <b>AHD145</b> =After Hours Dim, 5 Hours <sup>5</sup> <b>AHD245</b> =After Hours Dim, 6 Hours <sup>5</sup> <b>AHD255</b> =After Hours Dim, 7 Hours <sup>5</sup> <b>AHD355</b> =After Hours Dim, 8 Hours <sup>5</sup> <b>20MSP</b> =20kV MOV Surge Protections Device <b>20K</b> =20kV UL 1449 Surge Protection Device <b>LLPC</b> =Long-Life Photocontrol (Included) <b>AN8</b> =M2M Antennae (915MHz) <sup>8</sup>	<b>AP</b> =Grey <b>BK</b> =Black <b>BZ</b> =Bronze <b>WH</b> =White <b>GN</b> =Green	<b>OA/RA1016</b> =NEMA Photocontrol - Multi-Tap <b>OA/RA1013</b> =Photocontrol Shorting Cap <b>OA1223</b> =10kV/10kA UL 1449 Surge Module Replacement <b>MPX-HSS</b> =Field Install House Side Shield 180 Degree Cutoff <b>OA/RA1201</b> =NEMA Photocontrol 347V <b>OA/RA1027</b> =NEMA Photocontrol 480V

**NOTES:**

- Customer is responsible for engineering analysis to confirm pole and fixture compatibility for all applications. Refer to our white paper WP513001EN for additional support information.
- A7 not available with DALI.
- Use dedicated IES files for various CCTs and CRIs when performing layouts. These files are published on the Utility LED Acorn luminaire product page on the website.
- Total height of photocontrol/node cannot exceed 4.3".
- Requires the use of Photocontrol (4 or 4N7) receptacle. See After Hours Dim supplemental guide for additional information.
- Available with universal voltage only.
- A photocontrol receptacle "4" or "4N7" must also be selected.
- For use with third party control systems where M2M is required.
- Only product configurations with these designated prefixes are built to be compliant with the Buy American Act of 1933 (BAA) or Trade Agreements Act of 1979 (TAA), respectively. Please refer to [DOMESTIC PREFERENCES](#) website for more information. Components shipped separately may be separately analyzed under domestic preference requirements.
- Accessories sold separately will be separately analyzed under domestic preference requirements. Consult factory for further information.