

Streetworks

Lexington LXF/LXT LED

Features and Benefits

Classic appearance, leading edge performance and value

The Lexington LED post top lantern offers state of the art photometrics and low total cost of ownership in a time-tested form.

Lexington's precision optics deliver light exactly where it's needed with minimal uplight. Easily installed optional acrylic panels, available in four different textures, provide a nostalgic glow for pedestrian lighting.

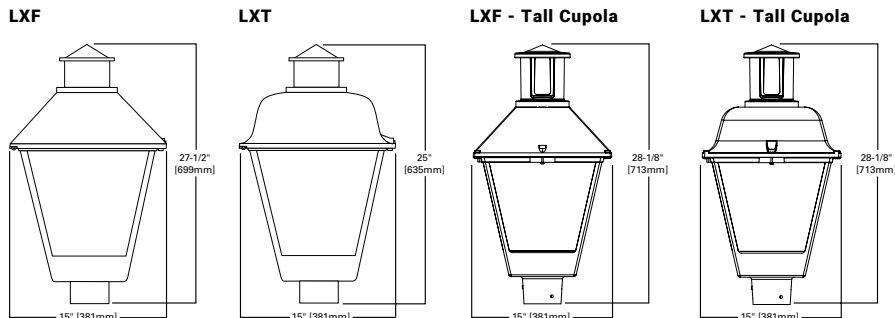
Utility-friendly features include a 3-position terminal block, choice of 3-pin or 7-pin photocell/control receptacle, and center- or corner-mounted tool-less latch options. The driver and surge protector are easily accessed via the hinged roof, as are the easily installed or replaced optional acrylic panels.

PRODUCT FEATURES

- Easily installed acrylic lens panels in 4 styles
- Tool-less spring latches in center (single latch) or corner (dual latches) configurations
- Up to 10,600 lumens, 140 lpw

PRODUCT BENEFITS

- Precise optics
- Uplight control
- Easy installation and serviceability
- Low total cost of ownership



QUICK FACTS

- Lumen packages from 2,000 to 10,600 lumens
- Dimensions: 15" (W), 25"-28"(H)
- EPA (Sq. Ft.): 1.7
- Weight: 25 lbs



Cooper Lighting Solutions
1121 Highway 74 South
Peachtree City, GA 30269
P: 770-486-4800
www.cooperlighting.com

Canada Sales
5925 McLaughlin Road
Mississauga, Ontario L5R 1B8
P: 905-501-3000
F: 905-501-3172

© 2023 Cooper Lighting Solutions
All Rights Reserved
Printed in USA
Publication No. SA50636423
July 26, 2023 10:19 AM

Cooper Lighting Solutions is a registered trademark.

All other trademarks are property of their respective owners.

Product availability, specifications, and compliances are subject to change without notice.