

| | | | | | |
|-------------|--|-----------|--|------|--|
| Project | | Catalog # | | Type | |
| Prepared by | | Notes | | Date | |



Streetworks

LXF / LXT Lexington

Decorative Post Top Luminaire

Typical Applications

Outdoor • Parking Lots • Walkways • Roadways • Building Areas

Product Certifications



Product Features



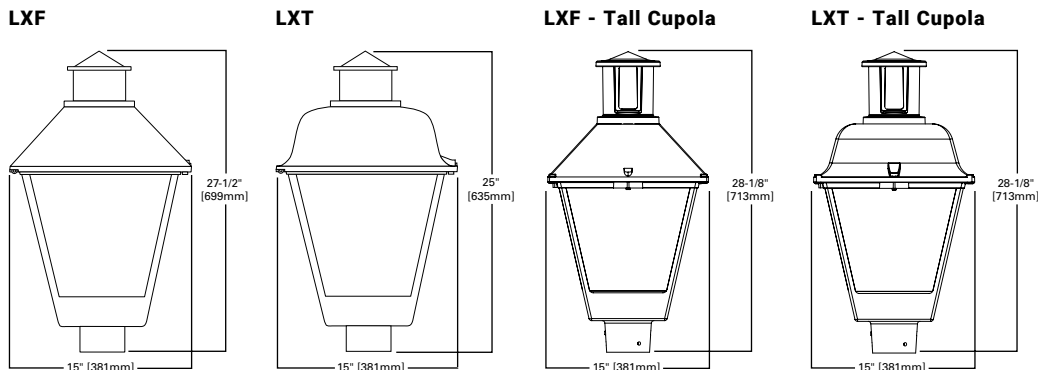
Interactive Menu

- Ordering Information [page 2](#)
- Product Specifications [page 2](#)
- Energy and Performance Data [page 3](#)

Quick Facts

- Replaces up to 400W equivalent HID
- Asymmetric & Symmetric distributions
- 0-10V dimming driver standard
- UL 1449/MOV surge protection available
- 3G vibration rated

Dimensional Details



Ordering Information

SAMPLE NUMBER: **LXF-PA1-20-740-U-T2U-CL-BK-10MSP-PR7**

| Product Family ¹ | Configuration | Wattage Bucket | Color Temperature | Voltage | Distribution | Lens | Finish |
|--|--|---|---|---|--|--|--|
| LXF=Lexington LXT=Lexington w/ Traditional Top | PA16=Light Square (16 LED) ² PA1=Direct Mount Rectangle (24 LED) | 20=20W 30=30W 40=40W 50=50W 60=60W 70=70W 80=80W ³ 90=90W ³ 100=100W ³ | 740=70CRI, 4000K 727=70CRI, 2700K 827=80CRI, 2700K 730=70CRI, 3000K 750=70CRI, 5000K AMB=Amber 590nm | U=Universal (120-277V) 2=120V 8=480V ⁴ 9=347V | T2R=Type II Roadway T2U=Type II Urban T3=Type III T4W=Type IV Wide 5WQ=Type V Square Wide SL3=Type III w/ Spill Control | [Blank]=Open (No Lens) A=Refractive Lens Panels CL=Clear Lens Panel FL=Frosted Lens TL=Textured Lens Panel | BK=Black AP=Grey BZ=Bronze WH=White |
| Options (Add as Suffix) | | Controls | | Accessories (Order Separately) | | | |
| 10K=Series 10kV UL 1449 Surge Protective Device 20K=Series 20kV UL 1449 Surge Protective Device 20KI=Series 20kV UL 1449 Surge Protective Device with light indicator 20MSP=Parallel 20kV MOV Surge Protective Device 10MSP=10kV MOV Surge Protection Device HA=50°C High Ambient Temperature ⁵ S=Dual Corner Snap Latches C=Single Center Snap Latch J=Factory Installed Decorative Ladder Rest HSS=Factory installed house side shield TC=Tall Cupola ⁶ PSC=Photocontrol Shorting Cap LLPC=Long Life Photocontrol Included FADC=Field Adjustable Dimming Controller BC= Bird Cone ⁷ | | 5LTD=DALI PR=NEMA Photocontrol Receptacle PR7=NEMA 7-PIN Twistlock Photocontrol Receptacle NPC=NEMA Photocontrol - Multi-Tap LLPC=Long Life Photocontrol included | | TA1BK=Decorative Ladder Rest for Field Installation (Black) OA/RA1013=Photocontrol Shorting Cap OA/RA1014=NEMA Photocontrol - 120V OA/RA1016=NEMA Photocontrol - Multi-Tap OA/RA1027=NEMA Photocontrol - 480V OA/RA1201=NEMA Photocontrol - 347V OA1223=10kV Surge Module Replacement HS-LX-16=Field installed House Side Shield for PA16 HS-LX-24=Field installed House Side Shield for PA1 VGS-ARCH=Short Vertical Drop Shield VGL-ARCH=Long Vertical Drop Shield LXT-A-PANELS=Refractive lens panels (set of 4) LXT-CL-PANELS=Clear lens panels (set of 4) LXT-FL-PANELS=Frosted lens panels (set of 4) LXT-TL-PANELS=Texture lens panels (set of 4) | | | |
| NOTES: 1. Customer is responsible for engineering analysis to confirm pole and fixture compatibility for all applications. Refer to our white paper WP13001EN for additional support information. 2. 20W -70W only. Square is not removable in the field. 3. PA1 Rectangle only. 4. Only for use with 480V Wye systems. Per NEC, not for use with ungrounded systems, impedance grounded systems or corner grounded systems (commonly known as Three Phase Three Wire Delta, Three Phase High Leg Delta and Three Phase Corner Grounded Delta systems). 5. HA not available with HSS option. 6. Use Tall Cupola to accommodate 7-pin Networked Lighting Controllers 7. Not available with lens panels. | | | | | | | |

Product Specifications

Construction

- Hinged die-cast aluminum top with cupola cover
- Captive retaining screw standard closure, with options for single center spring latch or two corner spring latches
- Die-cast aluminum base housing
- Other finish colors available; Consult your Streetworks representative
- ANSI wattage/source label

Optics

- Choice of six patented, high efficiency AccuLED Optics™ technology manufactured from injection-molded acrylic
- Optics are precisely designed to shape the light output, maximizing efficiency and application spacing; AccuLED Optics technology creates consistent distributions with the scalability to meet customized application requirements
- Offered standard in various CCTs and minimum 70 CRI
- For the ultimate level of spill light control, an optional house-side shield accessory can be field or factory installed
- Optics are IP66 enclosure rated
- Offered open sided as a standard with four lens options
- Lenses are field installable and removable and can be ordered separately

Electrical

- LED drivers mount to die-cast aluminum back housing for optimal heat sinking, operation efficacy, and prolonged life
- Standard drivers feature electronic universal voltage (120-277V, 50/60Hz), 347V 60Hz or 480V 60Hz operation, greater than 0.9 power factor, less than 20% harmonic distortion, and is suitable for operation in -40°C to 40°C ambient environments.
- 10 kV/10 kA common and differential mode and 10 kV MOV surge protection available

Mounting

- Self-aligning pole-top fitter fits 2-3/8" and 3" O.D. tenons
- Square headed 1-1/4" polymer coated mounting bolts

Finish

- Cast components finished in a Super durable TGIC polyester powder coat paint, 2.5 mil nominal thickness for superior protection against fade and wear
- Optional colors include bronze, grey and white; RAL and custom color matches available

Shipping Data

- Approximate Net Weight: 25 lbs. (11 kgs.)
- Effective Projected Area: 1.7 (Sq. Ft.)

Warranty

- Standard five-year warranty
- Optional ten-year warranty, please see your Cooper Lighting Solutions Streetworks sales representative for more information

Energy and Performance Data

Power and Lumens

| Light Engine | PA16-20 | PA16-30 | PA16-40 | PA16-50 | PA16-60 | PA16-70 | |
|-----------------------|-----------------|----------|----------|----------|----------|----------|----------|
| Nominal Power (Watts) | 22 | 29 | 40 | 53 | 62 | 72 | |
| Wattage Label | 20 | 30 | 40 | 50 | 60 | 70 | |
| Current (A) @120V | 0.18 | 0.24 | 0.34 | 0.44 | 0.52 | 0.60 | |
| Current (A) @277V | 0.08 | 0.11 | 0.15 | 0.19 | 0.22 | 0.26 | |
| Current (A) @347V | 0.06 | 0.08 | 0.12 | 0.15 | 0.18 | 0.21 | |
| Current (A) @480V | 0.05 | 0.06 | 0.08 | 0.11 | 0.13 | 0.15 | |
| Optics | | | | | | | |
| T2R | 4000K | 2862 | 3704 | 4679 | 5890 | 6662 | 7399 |
| | Lumens per Watt | 131 | 127 | 116 | 111 | 107 | 103 |
| | BUG Rating | B1 U0 G1 | B1 U0 G1 | B1 U0 G1 | B1 U0 G1 | B1 U0 G2 | B1 U0 G2 |
| | 3000K | 2613 | 3382 | 4272 | 5378 | 6083 | 6755 |
| | Lumens per Watt | 120 | 116 | 106 | 101 | 98 | 94 |
| | BUG Rating | B1 U0 G1 | B1 U0 G1 | B1 U0 G1 | B1 U0 G1 | B1 U0 G1 | B1 U0 G2 |
| T2R-A | 4000K | 2705 | 3501 | 4422 | 5567 | 6297 | 6993 |
| | Lumens per Watt | 124 | 120 | 110 | 105 | 102 | 97 |
| | BUG Rating | B1 U2 G1 | B1 U3 G2 | B1 U3 G2 | B1 U3 G2 | B1 U3 G2 | B2 U3 G3 |
| | 3000K | 2470 | 3197 | 4037 | 5083 | 5749 | 6385 |
| | Lumens per Watt | 113 | 109 | 100 | 96 | 93 | 89 |
| | BUG Rating | B1 U2 G1 | B1 U3 G2 | B1 U3 G2 | B1 U3 G2 | B1 U3 G2 | B1 U3 G2 |
| T2R-CL | 4000K | 2816 | 3645 | 4603 | 5795 | 6555 | 7280 |
| | Lumens per Watt | 129 | 125 | 115 | 109 | 106 | 101 |
| | BUG Rating | B1 U2 G1 | B1 U2 G1 | B1 U3 G2 | B1 U3 G2 | B1 U3 G2 | B1 U3 G2 |
| | 3000K | 2571 | 3328 | 4203 | 5291 | 5985 | 6647 |
| | Lumens per Watt | 118 | 114 | 105 | 100 | 97 | 92 |
| | BUG Rating | B1 U2 G1 | B1 U2 G1 | B1 U2 G1 | B1 U3 G2 | B1 U3 G2 | B1 U3 G2 |
| T2R-FL | 4000K | 2649 | 3429 | 4330 | 5452 | 6166 | 6848 |
| | Lumens per Watt | 122 | 117 | 108 | 103 | 99 | 95 |
| | BUG Rating | B1 U3 G2 | B1 U3 G2 | B1 U3 G2 | B1 U3 G3 | B2 U3 G3 | B2 U3 G3 |
| | 3000K | 2419 | 3131 | 3954 | 4978 | 5630 | 6252 |
| | Lumens per Watt | 111 | 107 | 98 | 94 | 91 | 87 |
| | BUG Rating | B1 U3 G2 | B1 U3 G2 | B1 U3 G2 | B1 U3 G3 | B1 U3 G3 | B2 U3 G3 |
| T2R-TL | 4000K | 2697 | 3491 | 4409 | 5550 | 6278 | 6972 |
| | Lumens per Watt | 124 | 120 | 110 | 105 | 101 | 97 |
| | BUG Rating | B1 U2 G1 | B1 U3 G2 | B1 U3 G2 | B1 U3 G2 | B1 U3 G2 | B2 U3 G3 |
| | 3000K | 2462 | 3187 | 4026 | 5068 | 5732 | 6366 |
| | Lumens per Watt | 113 | 109 | 100 | 95 | 92 | 88 |
| | BUG Rating | B1 U2 G1 | B1 U2 G2 | B1 U3 G2 | B1 U3 G2 | B1 U3 G2 | B1 U3 G2 |
| T2U | 4000K | 3003 | 3887 | 4909 | 6180 | 6991 | 7763 |
| | Lumens per Watt | 138 | 133 | 122 | 116 | 113 | 108 |
| | BUG Rating | B1 U0 G1 | B1 U0 G1 | B2 U0 G2 | B2 U0 G2 | B2 U0 G2 | B2 U0 G2 |
| | 3000K | 2742 | 3549 | 4482 | 5643 | 6383 | 7088 |
| | Lumens per Watt | 126 | 122 | 111 | 106 | 103 | 98 |
| | BUG Rating | B1 U0 G1 | B1 U0 G1 | B2 U0 G2 | B2 U0 G2 | B2 U0 G2 | B2 U0 G2 |

| Light Engine | | PA16-20 | PA16-30 | PA16-40 | PA16-50 | PA16-60 | PA16-70 |
|------------------------------|------------------------|----------|----------|----------|----------|----------|----------|
| Nominal Power (Watts) | | 22 | 29 | 40 | 53 | 62 | 72 |
| Wattage Label | | 20 | 30 | 40 | 50 | 60 | 70 |
| Current (A) @120V | | 0.18 | 0.24 | 0.34 | 0.44 | 0.52 | 0.60 |
| Current (A) @277V | | 0.08 | 0.11 | 0.15 | 0.19 | 0.22 | 0.26 |
| Current (A) @347V | | 0.06 | 0.08 | 0.12 | 0.15 | 0.18 | 0.21 |
| Current (A) @480V | | 0.05 | 0.06 | 0.08 | 0.11 | 0.13 | 0.15 |
| Optics | | | | | | | |
| T2U-A | 4000K | 2844 | 3681 | 4649 | 5853 | 6620 | 7352 |
| | Lumens per Watt | 130 | 126 | 116 | 110 | 107 | 102 |
| | BUG Rating | B1 U2 G1 | B1 U3 G2 | B2 U3 G2 | B2 U3 G2 | B2 U3 G2 | B2 U3 G2 |
| | 3000K | 2597 | 3361 | 4245 | 5344 | 6045 | 6713 |
| | Lumens per Watt | 119 | 115 | 106 | 101 | 98 | 93 |
| | BUG Rating | B1 U2 G1 | B1 U2 G1 | B2 U3 G2 | B2 U3 G2 | B2 U3 G2 | B2 U3 G2 |
| T2U-CL | 4000K | 2955 | 3825 | 4831 | 6081 | 6879 | 7639 |
| | Lumens per Watt | 136 | 131 | 120 | 115 | 111 | 106 |
| | BUG Rating | B1 U2 G1 | B1 U2 G1 | B2 U3 G2 | B2 U3 G2 | B2 U3 G2 | B2 U3 G2 |
| | 3000K | 2698 | 3492 | 4411 | 5553 | 6281 | 6975 |
| | Lumens per Watt | 124 | 120 | 110 | 105 | 101 | 97 |
| | BUG Rating | B1 U2 G1 | B1 U2 G1 | B2 U3 G2 | B2 U3 G2 | B2 U3 G2 | B2 U3 G2 |
| T2U-FL | 4000K | 2784 | 3603 | 4551 | 5730 | 6481 | 7197 |
| | Lumens per Watt | 128 | 123 | 113 | 108 | 105 | 100 |
| | BUG Rating | B1 U3 G2 | B1 U3 G2 | B2 U3 G2 | B2 U3 G3 | B2 U3 G3 | B2 U3 G3 |
| | 3000K | 2542 | 3290 | 4155 | 5231 | 5917 | 6571 |
| | Lumens per Watt | 117 | 113 | 103 | 99 | 95 | 91 |
| | BUG Rating | B1 U3 G2 | B1 U3 G2 | B1 U3 G2 | B2 U3 G3 | B2 U3 G3 | B2 U3 G3 |
| T2U-TL | 4000K | 2854 | 3694 | 4666 | 5874 | 6644 | 7378 |
| | Lumens per Watt | 131 | 127 | 116 | 111 | 107 | 102 |
| | BUG Rating | B1 U2 G1 | B1 U3 G1 | B2 U3 G2 | B2 U3 G2 | B2 U3 G2 | B2 U3 G2 |
| | 3000K | 2606 | 3373 | 4260 | 5363 | 6066 | 6736 |
| | Lumens per Watt | 120 | 116 | 106 | 101 | 98 | 94 |
| | BUG Rating | B1 U2 G1 | B1 U2 G1 | B2 U3 G2 | B2 U3 G2 | B2 U3 G2 | B2 U3 G2 |
| T3 | 4000K | 2908 | 3764 | 4754 | 5985 | 6769 | 7517 |
| | Lumens per Watt | 133 | 129 | 118 | 113 | 109 | 104 |
| | BUG Rating | B1 U0 G1 | B1 U0 G1 | B1 U0 G1 | B1 U0 G2 | B1 U0 G2 | B2 U0 G2 |
| | 3000K | 2655 | 3437 | 4340 | 5464 | 6181 | 6864 |
| | Lumens per Watt | 122 | 118 | 108 | 103 | 100 | 95 |
| | BUG Rating | B1 U0 G1 | B1 U0 G1 | B1 U0 G1 | B1 U0 G2 | B1 U0 G2 | B1 U0 G2 |
| T3-A | 4000K | 2760 | 3572 | 4512 | 5680 | 6425 | 7135 |
| | Lumens per Watt | 127 | 122 | 112 | 107 | 104 | 99 |
| | BUG Rating | B1 U3 G2 | B1 U3 G2 | B1 U3 G2 | B1 U3 G3 | B2 U3 G3 | B2 U3 G3 |
| | 3000K | 2520 | 3262 | 4120 | 5186 | 5866 | 6514 |
| | Lumens per Watt | 116 | 112 | 102 | 98 | 95 | 90 |
| | BUG Rating | B1 U2 G2 | B1 U3 G2 | B1 U3 G2 | B1 U3 G3 | B1 U3 G3 | B2 U3 G3 |

| Light Engine | | PA16-20 | PA16-30 | PA16-40 | PA16-50 | PA16-60 | PA16-70 |
|------------------------------|------------------------|----------|----------|----------|----------|----------|----------|
| Nominal Power (Watts) | | 22 | 29 | 40 | 53 | 62 | 72 |
| Wattage Label | | 20 | 30 | 40 | 50 | 60 | 70 |
| Current (A) @120V | | 0.18 | 0.24 | 0.34 | 0.44 | 0.52 | 0.60 |
| Current (A) @277V | | 0.08 | 0.11 | 0.15 | 0.19 | 0.22 | 0.26 |
| Current (A) @347V | | 0.06 | 0.08 | 0.12 | 0.15 | 0.18 | 0.21 |
| Current (A) @480V | | 0.05 | 0.06 | 0.08 | 0.11 | 0.13 | 0.15 |
| Optics | | | | | | | |
| T3-CL | 4000K | 2857 | 3698 | 4670 | 5880 | 6651 | 7386 |
| | Lumens per Watt | 131 | 127 | 116 | 111 | 107 | 103 |
| | BUG Rating | B1 U2 G1 | B1 U3 G1 | B1 U3 G2 | B1 U3 G2 | B2 U3 G2 | B2 U3 G2 |
| | 3000K | 2609 | 3376 | 4264 | 5368 | 6072 | 6743 |
| | Lumens per Watt | 120 | 116 | 106 | 101 | 98 | 94 |
| | BUG Rating | B1 U2 G1 | B1 U2 G1 | B1 U3 G2 | B1 U3 G2 | B1 U3 G2 | B2 U3 G2 |
| T3-FL | 4000K | 2701 | 3496 | 4415 | 5559 | 6288 | 6982 |
| | Lumens per Watt | 124 | 120 | 110 | 105 | 101 | 97 |
| | BUG Rating | B1 U3 G2 | B1 U3 G2 | B1 U3 G3 | B1 U3 G3 | B2 U3 G3 | B2 U3 G3 |
| | 3000K | 2466 | 3192 | 4032 | 5075 | 5741 | 6375 |
| | Lumens per Watt | 113 | 109 | 100 | 96 | 93 | 89 |
| | BUG Rating | B1 U3 G2 | B1 U3 G2 | B1 U3 G3 | B1 U3 G3 | B1 U3 G3 | B2 U3 G3 |
| T3-TL | 4000K | 2746 | 3554 | 4489 | 5651 | 6392 | 7099 |
| | Lumens per Watt | 126 | 122 | 112 | 106 | 103 | 99 |
| | BUG Rating | B1 U2 G2 | B1 U3 G2 | B1 U3 G2 | B1 U3 G3 | B2 U3 G3 | B2 U3 G3 |
| | 3000K | 2507 | 3245 | 4099 | 5160 | 5836 | 6481 |
| | Lumens per Watt | 115 | 111 | 102 | 97 | 94 | 90 |
| | BUG Rating | B1 U2 G2 | B1 U3 G2 | B1 U3 G2 | B1 U3 G2 | B1 U3 G3 | B2 U3 G3 |
| T4W | 4000K | 2922 | 3782 | 4777 | 6014 | 6802 | 7554 |
| | Lumens per Watt | 134 | 130 | 119 | 113 | 110 | 105 |
| | BUG Rating | B1 U0 G1 | B1 U0 G1 | B1 U0 G2 | B1 U0 G2 | B1 U0 G2 | B2 U0 G2 |
| | 3000K | 2668 | 3453 | 4361 | 5491 | 6211 | 6897 |
| | Lumens per Watt | 122 | 118 | 108 | 103 | 100 | 96 |
| | BUG Rating | B1 U0 G1 | B1 U0 G1 | B1 U0 G2 | B1 U0 G2 | B1 U0 G2 | B1 U0 G2 |
| T4W-A | 4000K | 2782 | 3601 | 4548 | 5725 | 6476 | 7192 |
| | Lumens per Watt | 128 | 123 | 113 | 108 | 104 | 100 |
| | BUG Rating | B1 U3 G2 | B1 U3 G2 | B1 U3 G3 | B1 U3 G3 | B2 U3 G3 | B2 U3 G3 |
| | 3000K | 2540 | 3288 | 4152 | 5228 | 5913 | 6566 |
| | Lumens per Watt | 117 | 113 | 103 | 98 | 95 | 91 |
| | BUG Rating | B1 U3 G2 | B1 U3 G2 | B1 U3 G3 | B1 U3 G3 | B1 U3 G3 | B2 U3 G3 |
| T4W-CL | 4000K | 2879 | 3726 | 4706 | 5925 | 6702 | 7443 |
| | Lumens per Watt | 132 | 128 | 117 | 112 | 108 | 103 |
| | BUG Rating | B1 U3 G1 | B1 U3 G2 | B1 U3 G2 | B1 U3 G2 | B2 U3 G3 | B2 U3 G3 |
| | 3000K | 2629 | 3402 | 4297 | 5410 | 6119 | 6795 |
| | Lumens per Watt | 121 | 117 | 107 | 102 | 99 | 94 |
| | BUG Rating | B1 U2 G1 | B1 U3 G2 | B1 U3 G2 | B1 U3 G2 | B1 U3 G2 | B2 U3 G3 |

| Light Engine | | PA16-20 | PA16-30 | PA16-40 | PA16-50 | PA16-60 | PA16-70 |
|------------------------------|------------------------|----------|----------|----------|----------|----------|----------|
| Nominal Power (Watts) | | 22 | 29 | 40 | 53 | 62 | 72 |
| Wattage Label | | 20 | 30 | 40 | 50 | 60 | 70 |
| Current (A) @120V | | 0.18 | 0.24 | 0.34 | 0.44 | 0.52 | 0.60 |
| Current (A) @277V | | 0.08 | 0.11 | 0.15 | 0.19 | 0.22 | 0.26 |
| Current (A) @347V | | 0.06 | 0.08 | 0.12 | 0.15 | 0.18 | 0.21 |
| Current (A) @480V | | 0.05 | 0.06 | 0.08 | 0.11 | 0.13 | 0.15 |
| Optics | | | | | | | |
| T4W-FL | 4000K | 2722 | 3523 | 4450 | 5602 | 6336 | 7037 |
| | Lumens per Watt | 125 | 121 | 111 | 105 | 102 | 98 |
| | BUG Rating | B1 U3 G2 | B1 U3 G3 | B1 U3 G3 | B1 U3 G3 | B2 U3 G3 | B2 U3 G4 |
| | 3000K | 2485 | 3217 | 4063 | 5115 | 5785 | 6425 |
| | Lumens per Watt | 114 | 110 | 101 | 96 | 93 | 89 |
| | BUG Rating | B1 U3 G2 | B1 U3 G3 | B1 U3 G3 | B1 U3 G3 | B1 U3 G3 | B2 U3 G3 |
| T4W-TL | 4000K | 2766 | 3580 | 4522 | 5693 | 6439 | 7150 |
| | Lumens per Watt | 127 | 123 | 112 | 107 | 104 | 99 |
| | BUG Rating | B1 U3 G2 | B1 U3 G2 | B1 U3 G3 | B1 U3 G3 | B2 U3 G3 | B2 U3 G3 |
| | 3000K | 2525 | 3269 | 4129 | 5198 | 5879 | 6529 |
| | Lumens per Watt | 116 | 112 | 103 | 98 | 95 | 91 |
| | BUG Rating | B1 U2 G2 | B1 U3 G2 | B1 U3 G3 | B1 U3 G3 | B1 U3 G3 | B2 U3 G3 |
| 5WQ | 4000K | 3102 | 4015 | 5071 | 6384 | 7221 | 8019 |
| | Lumens per Watt | 142 | 138 | 126 | 120 | 116 | 111 |
| | BUG Rating | B2 U0 G1 | B3 U0 G1 | B3 U0 G1 | B3 U0 G2 | B3 U0 G2 | B3 U0 G2 |
| | 3000K | 2832 | 3666 | 4630 | 5829 | 6593 | 7322 |
| | Lumens per Watt | 130 | 126 | 115 | 110 | 106 | 102 |
| | BUG Rating | B2 U0 G1 | B3 U0 G1 | B3 U0 G1 | B3 U0 G1 | B3 U0 G2 | B3 U0 G2 |
| 5WQ-A | 4000K | 2981 | 3858 | 4873 | 6135 | 6939 | 7706 |
| | Lumens per Watt | 137 | 132 | 121 | 116 | 112 | 107 |
| | BUG Rating | B2 U3 G2 | B2 U3 G2 | B3 U3 G3 | B3 U3 G3 | B3 U3 G3 | B3 U3 G3 |
| | 3000K | 2722 | 3523 | 4449 | 5602 | 6336 | 7036 |
| | Lumens per Watt | 125 | 121 | 111 | 105 | 102 | 98 |
| | BUG Rating | B2 U3 G2 | B2 U3 G2 | B3 U3 G2 | B3 U3 G3 | B3 U3 G3 | B3 U3 G3 |
| 5WQ-CL | 4000K | 3070 | 3974 | 5019 | 6318 | 7147 | 7936 |
| | Lumens per Watt | 141 | 136 | 125 | 119 | 115 | 110 |
| | BUG Rating | B2 U3 G1 | B3 U3 G2 | B3 U3 G2 | B3 U3 G2 | B3 U3 G2 | B3 U3 G2 |
| | 3000K | 2803 | 3628 | 4582 | 5769 | 6525 | 7246 |
| | Lumens per Watt | 129 | 124 | 114 | 109 | 105 | 101 |
| | BUG Rating | B2 U3 G1 | B3 U3 G1 | B3 U3 G2 | B3 U3 G2 | B3 U3 G2 | B3 U3 G2 |
| 5WQ-FL | 4000K | 2908 | 3764 | 4754 | 5985 | 6769 | 7517 |
| | Lumens per Watt | 133 | 129 | 118 | 113 | 109 | 104 |
| | BUG Rating | B2 U3 G2 | B2 U3 G2 | B3 U3 G3 | B3 U3 G3 | B3 U3 G3 | B3 U3 G3 |
| | 3000K | 2655 | 3437 | 4340 | 5464 | 6181 | 6864 |
| | Lumens per Watt | 122 | 118 | 108 | 103 | 100 | 95 |
| | BUG Rating | B2 U3 G2 | B2 U3 G2 | B2 U3 G3 | B3 U3 G3 | B3 U3 G3 | B3 U3 G3 |

| Light Engine | | PA16-20 | PA16-30 | PA16-40 | PA16-50 | PA16-60 | PA16-70 |
|------------------------------|------------------------|----------|----------|----------|----------|----------|----------|
| Nominal Power (Watts) | | 22 | 29 | 40 | 53 | 62 | 72 |
| Wattage Label | | 20 | 30 | 40 | 50 | 60 | 70 |
| Current (A) @120V | | 0.18 | 0.24 | 0.34 | 0.44 | 0.52 | 0.60 |
| Current (A) @277V | | 0.08 | 0.11 | 0.15 | 0.19 | 0.22 | 0.26 |
| Current (A) @347V | | 0.06 | 0.08 | 0.12 | 0.15 | 0.18 | 0.21 |
| Current (A) @480V | | 0.05 | 0.06 | 0.08 | 0.11 | 0.13 | 0.15 |
| Optics | | | | | | | |
| 5WQ-TL | 4000K | 2970 | 3844 | 4855 | 6112 | 6914 | 7678 |
| | Lumens per Watt | 136 | 132 | 121 | 115 | 112 | 107 |
| | BUG Rating | B2 U3 G2 | B3 U3 G2 | B3 U3 G2 | B3 U3 G3 | B3 U3 G3 | B3 U3 G3 |
| | 3000K | 2712 | 3510 | 4433 | 5581 | 6313 | 7010 |
| | Lumens per Watt | 124 | 120 | 110 | 105 | 102 | 97 |
| | BUG Rating | B2 U3 G2 | B2 U3 G2 | B3 U3 G2 | B3 U3 G3 | B3 U3 G3 | B3 U3 G3 |
| SL3 | 4000K | 2774 | 3590 | 4535 | 5709 | 6457 | 7171 |
| | Lumens per Watt | 127 | 123 | 113 | 108 | 104 | 100 |
| | BUG Rating | B1 U0 G1 | B1 U0 G1 | B1 U0 G2 | B1 U0 G2 | B1 U0 G2 | B1 U0 G2 |
| | 3000K | 2533 | 3278 | 4140 | 5213 | 5896 | 6548 |
| | Lumens per Watt | 116 | 112 | 103 | 98 | 95 | 91 |
| | BUG Rating | B1 U0 G1 | B1 U0 G1 | B1 U0 G2 | B1 U0 G2 | B1 U0 G2 | B1 U0 G2 |
| SL3-A | 4000K | 2646 | 3425 | 4326 | 5446 | 6159 | 6840 |
| | Lumens per Watt | 121 | 117 | 108 | 103 | 99 | 95 |
| | BUG Rating | B1 U3 G2 | B1 U3 G2 | B1 U3 G3 | B1 U3 G3 | B1 U3 G3 | B1 U3 G3 |
| | 3000K | 2416 | 3127 | 3949 | 4972 | 5624 | 6245 |
| | Lumens per Watt | 111 | 107 | 98 | 94 | 91 | 87 |
| | BUG Rating | B1 U3 G2 | B1 U3 G2 | B1 U3 G3 | B1 U3 G3 | B1 U3 G3 | B1 U3 G3 |
| SL3-CL | 4000K | 2731 | 3535 | 4465 | 5620 | 6357 | 7060 |
| | Lumens per Watt | 125 | 121 | 111 | 106 | 103 | 98 |
| | BUG Rating | B1 U2 G2 | B1 U3 G2 | B1 U3 G2 | B1 U3 G3 | B1 U3 G3 | B1 U3 G3 |
| | 3000K | 2494 | 3227 | 4076 | 5132 | 5805 | 6446 |
| | Lumens per Watt | 114 | 111 | 101 | 97 | 94 | 90 |
| | BUG Rating | B1 U2 G2 | B1 U3 G2 | B1 U3 G2 | B1 U3 G2 | B1 U3 G3 | B1 U3 G3 |
| SL3-FL | 4000K | 2583 | 3343 | 4223 | 5316 | 6013 | 6677 |
| | Lumens per Watt | 118 | 114 | 105 | 100 | 97 | 93 |
| | BUG Rating | B1 U3 G2 | B1 U3 G3 | B1 U3 G3 | B1 U3 G3 | B1 U3 G3 | B2 U3 G3 |
| | 3000K | 2358 | 3053 | 3855 | 4854 | 5490 | 6097 |
| | Lumens per Watt | 108 | 105 | 96 | 91 | 89 | 85 |
| | BUG Rating | B1 U3 G2 | B1 U3 G3 | B1 U3 G3 | B1 U3 G3 | B1 U3 G3 | B1 U3 G3 |
| SL3-TL | 4000K | 2636 | 3412 | 4309 | 5425 | 6136 | 6814 |
| | Lumens per Watt | 121 | 117 | 107 | 102 | 99 | 95 |
| | BUG Rating | B1 U2 G2 | B1 U3 G2 | B1 U3 G3 | B1 U3 G3 | B1 U3 G3 | B1 U3 G3 |
| | 3000K | 2407 | 3115 | 3934 | 4953 | 5603 | 6222 |
| | Lumens per Watt | 110 | 107 | 98 | 93 | 90 | 86 |
| | BUG Rating | B1 U2 G2 | B1 U3 G2 | B1 U3 G3 | B1 U3 G3 | B1 U3 G3 | B1 U3 G3 |

| Light Engine | PA1-20 | PA1-30 | PA1-40 | PA1-50 | PA1-60 | PA1-70 | PA1-80 | PA1-90 | PA1-100 | |
|-----------------------|-----------------|----------|----------|----------|----------|----------|----------|----------|----------|----------|
| Nominal Power (Watts) | 21 | 31 | 40 | 54 | 64 | 74 | 83 | 94 | 96 | |
| Wattage Label | 20 | 30 | 40 | 50 | 60 | 70 | 80 | 90 | 100 | |
| Current (A) @120V | 0.18 | 0.26 | 0.34 | 0.45 | 0.53 | 0.62 | 0.70 | 0.78 | 0.80 | |
| Current (A) @277V | -- | 0.12 | 0.15 | 0.21 | 0.24 | 0.28 | 0.31 | 0.35 | 0.35 | |
| Current (A) @347V | -- | 0.10 | 0.13 | 0.16 | 0.19 | 0.22 | 0.24 | 0.28 | 0.28 | |
| Current (A) @480V | -- | 0.07 | 0.09 | 0.13 | 0.14 | 0.17 | 0.18 | 0.21 | 0.21 | |
| Optics | | | | | | | | | | |
| T2R | 4000K | 2747 | 3854 | 4990 | 6436 | 7436 | 8339 | 9115 | 9827 | 9952 |
| | Lumens per Watt | 131 | 124 | 125 | 119 | 116 | 113 | 110 | 105 | 104 |
| | BUG Rating | B1 U0 G1 | B1 U0 G1 | B1 U0 G1 | B1 U0 G2 | B1 U0 G2 | B1 U0 G2 | B1 U0 G2 | B1 U0 G2 | B1 U0 G2 |
| | 3000K | 2502 | 3510 | 4545 | 5861 | 6772 | 7595 | 8301 | 8950 | 9063 |
| | Lumens per Watt | 119 | 113 | 114 | 109 | 106 | 103 | 100 | 95 | 94 |
| | BUG Rating | B1 U0 G1 | B1 U0 G1 | B1 U0 G1 | B1 U0 G1 | B1 U0 G2 | B1 U0 G2 | B1 U0 G2 | B1 U0 G2 | B1 U0 G2 |
| T2R-A | 4000K | 2546 | 3572 | 4625 | 5965 | 6891 | 7729 | 8448 | 9108 | 9223 |
| | Lumens per Watt | 121 | 115 | 116 | 110 | 108 | 104 | 102 | 97 | 96 |
| | BUG Rating | B1 U2 G1 | B1 U3 G2 | B1 U3 G2 | B1 U3 G2 | B1 U3 G3 | B2 U3 G3 | B2 U3 G3 | B2 U3 G3 | B2 U3 G3 |
| | 3000K | 2319 | 3253 | 4212 | 5432 | 6276 | 7039 | 7694 | 8295 | 8400 |
| | Lumens per Watt | 110 | 105 | 105 | 101 | 98 | 95 | 93 | 88 | 88 |
| | BUG Rating | B1 U2 G1 | B1 U3 G2 | B1 U3 G2 | B1 U3 G2 | B1 U3 G3 | B1 U3 G3 | B2 U3 G3 | B2 U3 G3 | B2 U3 G3 |
| T2R-CL | 4000K | 2668 | 3743 | 4847 | 6252 | 7223 | 8100 | 8854 | 9546 | 9667 |
| | Lumens per Watt | 127 | 121 | 121 | 116 | 113 | 109 | 107 | 102 | 101 |
| | BUG Rating | B1 U2 G1 | B1 U2 G1 | B1 U3 G2 | B1 U3 G2 | B1 U3 G2 | B2 U3 G2 | B2 U3 G3 | B2 U3 G3 | B2 U3 G3 |
| | 3000K | 2430 | 3409 | 4415 | 5693 | 6578 | 7377 | 8063 | 8694 | 8804 |
| | Lumens per Watt | 116 | 110 | 110 | 105 | 103 | 100 | 97 | 92 | 92 |
| | BUG Rating | B1 U2 G1 | B1 U2 G1 | B1 U2 G2 | B1 U3 G2 | B1 U3 G2 | B1 U3 G2 | B2 U3 G2 | B2 U3 G3 | B2 U3 G3 |
| T2R-FL | 4000K | 2484 | 3485 | 4512 | 5819 | 6723 | 7540 | 8242 | 8886 | 8998 |
| | Lumens per Watt | 118 | 112 | 113 | 108 | 105 | 102 | 99 | 95 | 94 |
| | BUG Rating | B1 U3 G2 | B1 U3 G2 | B1 U3 G3 | B1 U3 G3 | B2 U3 G3 | B2 U3 G3 | B2 U3 G3 | B2 U3 G3 | B2 U3 G3 |
| | 3000K | 2262 | 3174 | 4109 | 5300 | 6123 | 6867 | 7506 | 8093 | 8195 |
| | Lumens per Watt | 108 | 102 | 103 | 98 | 96 | 93 | 90 | 86 | 85 |
| | BUG Rating | B1 U3 G2 | B1 U3 G2 | B1 U3 G2 | B1 U3 G3 | B1 U3 G3 | B2 U3 G3 | B2 U3 G3 | B2 U3 G3 | B2 U3 G3 |
| T2R-TL | 4000K | 2545 | 3570 | 4622 | 5961 | 6887 | 7724 | 8443 | 9103 | 9218 |
| | Lumens per Watt | 121 | 115 | 116 | 110 | 108 | 104 | 102 | 97 | 96 |
| | BUG Rating | B1 U2 G1 | B1 U3 G2 | B1 U3 G2 | B1 U3 G2 | B1 U3 G3 | B2 U3 G3 | B2 U3 G3 | B2 U3 G3 | B2 U3 G3 |
| | 3000K | 2317 | 3251 | 4210 | 5429 | 6272 | 7035 | 7689 | 8290 | 8395 |
| | Lumens per Watt | 110 | 105 | 105 | 101 | 98 | 95 | 93 | 88 | 87 |
| | BUG Rating | B1 U2 G1 | B1 U3 G2 | B1 U3 G2 | B1 U3 G2 | B1 U3 G3 | B1 U3 G3 | B2 U3 G3 | B2 U3 G3 | B2 U3 G3 |

| Light Engine | | PA1-20 | PA1-30 | PA1-40 | PA1-50 | PA1-60 | PA1-70 | PA1-80 | PA1-90 | PA1-100 | |
|------------------------------|------------------------|----------|----------|----------|----------|----------|----------|----------|----------|----------|----------|
| Nominal Power (Watts) | | 21 | 31 | 40 | 54 | 64 | 74 | 83 | 94 | 96 | |
| Wattage Label | | 20 | 30 | 40 | 50 | 60 | 70 | 80 | 90 | 100 | |
| Current (A) @120V | | 0.18 | 0.26 | 0.34 | 0.45 | 0.53 | 0.62 | 0.70 | 0.78 | 0.80 | |
| Current (A) @277V | | -- | 0.12 | 0.15 | 0.21 | 0.24 | 0.28 | 0.31 | 0.35 | 0.35 | |
| Current (A) @347V | | -- | 0.10 | 0.13 | 0.16 | 0.19 | 0.22 | 0.24 | 0.28 | 0.28 | |
| Current (A) @480V | | -- | 0.07 | 0.09 | 0.13 | 0.14 | 0.17 | 0.18 | 0.21 | 0.21 | |
| Optics | | | | | | | | | | | |
| T2U | 4000K | 2,799 | 3,926 | 5,084 | 6,557 | 7,576 | 8,497 | 9,287 | 10,013 | 10,139 | |
| | Lumens per Watt | 133 | 127 | 127 | 121 | 118 | 115 | 112 | 107 | 106 | |
| | BUG Rating | B1-U0-G1 | B1-U0-G1 | B2-U0-G2 | B2-U0-G2 | B2-U0-G2 | B2-U0-G2 | B2-U0-G2 | B2-U0-G2 | B3-U0-G3 | B3-U0-G3 |
| | 3000K | 2,549 | 3,576 | 4,630 | 5,972 | 6,899 | 7,738 | 8,458 | 9,119 | 9,234 | |
| | Lumens per Watt | 121 | 115 | 116 | 111 | 108 | 105 | 102 | 97 | 96 | |
| | BUG Rating | B1-U0-G1 | B1-U0-G1 | B1-U0-G1 | B2-U0-G2 | B2-U0-G2 | B2-U0-G2 | B2-U0-G2 | B2-U0-G2 | B2-U0-G2 | B2-U0-G2 |
| T2U-A | 4000K | 2,613 | 3,666 | 4,747 | 6,122 | 7,073 | 7,933 | 8,671 | 9,349 | 9,467 | |
| | Lumens per Watt | 124 | 118 | 119 | 113 | 111 | 107 | 104 | 99 | 99 | |
| | BUG Rating | B1-U2-G1 | B1-U3-G2 | B2-U3-G2 | B2-U3-G2 | B2-U3-G2 | B2-U3-G3 | B3-U3-G3 | B3-U3-G3 | B3-U3-G3 | |
| | 3000K | 2,380 | 3,339 | 4,323 | 5,576 | 6,442 | 7,225 | 7,897 | 8,514 | 8,622 | |
| | Lumens per Watt | 113 | 108 | 108 | 103 | 101 | 98 | 95 | 91 | 90 | |
| | BUG Rating | B1-U2-G1 | B1-U3-G2 | B2-U3-G2 | B2-U3-G2 | B2-U3-G2 | B2-U3-G3 | B2-U3-G3 | B2-U3-G3 | B3-U3-G3 | |
| T2U-CL | 4000K | 2,721 | 3,817 | 4,943 | 6,375 | 7,365 | 8,260 | 9,029 | 9,735 | 9,858 | |
| | Lumens per Watt | 130 | 123 | 124 | 118 | 115 | 112 | 109 | 104 | 103 | |
| | BUG Rating | B1-U2-G1 | B1-U2-G1 | B2-U3-G2 | B2-U3-G2 | B2-U3-G2 | B3-U3-G3 | B3-U3-G3 | B3-U3-G3 | B3-U3-G3 | |
| | 3000K | 2,478 | 3,477 | 4,502 | 5,806 | 6,708 | 7,523 | 8,223 | 8,865 | 8,978 | |
| | Lumens per Watt | 118 | 112 | 113 | 108 | 105 | 102 | 99 | 94 | 94 | |
| | BUG Rating | B1-U2-G1 | B1-U2-G1 | B2-U3-G2 | B2-U3-G2 | B2-U3-G2 | B2-U3-G2 | B3-U3-G3 | B3-U3-G3 | B3-U3-G3 | |
| T2U-TL | 4000K | 2,604 | 3,653 | 4,730 | 6,100 | 7,048 | 7,905 | 8,640 | 9,315 | 9,433 | |
| | Lumens per Watt | 124 | 118 | 118 | 113 | 110 | 107 | 104 | 99 | 98 | |
| | BUG Rating | B1-U2-G1 | B1-U3-G2 | B2-U3-G2 | B2-U3-G2 | B2-U3-G3 | B2-U3-G3 | B2-U3-G3 | B2-U3-G3 | B2-U3-G3 | |
| | 3000K | 2,371 | 3,327 | 4,308 | 5,556 | 6,419 | 7,199 | 7,869 | 8,484 | 8,591 | |
| | Lumens per Watt | 113 | 107 | 108 | 103 | 100 | 97 | 95 | 90 | 89 | |
| | BUG Rating | B1-U2-G1 | B1-U3-G2 | B1-U3-G2 | B2-U3-G2 | B2-U3-G2 | B2-U3-G3 | B2-U3-G3 | B2-U3-G3 | B2-U3-G3 | |
| T2U-FL | 4000K | 2,555 | 3,584 | 4,640 | 5,985 | 6,914 | 7,755 | 8,476 | 9,138 | 9,254 | |
| | Lumens per Watt | 122 | 116 | 116 | 111 | 108 | 105 | 102 | 97 | 96 | |
| | BUG Rating | B1-U3-G2 | B1-U3-G2 | B1-U3-G3 | B2-U3-G3 | B2-U3-G3 | B2-U3-G3 | B2-U3-G3 | B2-U3-G3 | B2-U3-G3 | |
| | 3000K | 2,326 | 3,264 | 4,226 | 5,450 | 6,297 | 7,062 | 7,719 | 8,323 | 8,428 | |
| | Lumens per Watt | 111 | 105 | 106 | 101 | 98 | 95 | 93 | 89 | 88 | |
| | BUG Rating | B1-U3-G2 | B1-U3-G2 | B1-U3-G2 | B2-U3-G3 | B2-U3-G3 | B2-U3-G3 | B2-U3-G3 | B2-U3-G3 | B2-U3-G3 | |
| T2U-HSS | 4000K | 2,037 | 2,858 | 3,701 | 4,773 | 5,514 | 6,185 | 6,760 | 7,288 | 7,380 | |
| | Lumens per Watt | 97 | 92 | 93 | 88 | 86 | 84 | 81 | 78 | 77 | |
| | BUG Rating | B0-U0-G1 | B1-U0-G1 | B1-U0-G1 | B1-U0-G1 | B1-U0-G1 | B1-U0-G1 | B1-U0-G1 | B1-U0-G2 | B1-U0-G2 | |
| | 3000K | 1,855 | 2,603 | 3,371 | 4,347 | 5,022 | 5,632 | 6,156 | 6,638 | 6,721 | |
| | Lumens per Watt | 88 | 84 | 84 | 81 | 78 | 76 | 74 | 71 | 70 | |
| | BUG Rating | B0-U0-G1 | B1-U0-G1 | B1-U0-G1 | B1-U0-G1 | B1-U0-G1 | B1-U0-G1 | B1-U0-G1 | B1-U0-G1 | B1-U0-G2 | |
| SL3 | 4000K | 2,772 | 3,888 | 5,035 | 6,494 | 7,502 | 8,414 | 9,197 | 9,916 | 10,041 | |
| | Lumens per Watt | 132 | 125 | 126 | 120 | 117 | 114 | 111 | 105 | 105 | |
| | BUG Rating | B1-U0-G1 | B1-U0-G2 | B1-U0-G2 | B1-U0-G2 | B1-U0-G3 | B2-U0-G3 | B2-U0-G3 | B2-U0-G3 | B2-U0-G3 | |
| | 3000K | 2,524 | 3,541 | 4,586 | 5,914 | 6,833 | 7,663 | 8,376 | 9,030 | 9,145 | |
| | Lumens per Watt | 120 | 114 | 115 | 110 | 107 | 104 | 101 | 96 | 95 | |
| | BUG Rating | B1-U0-G1 | B1-U0-G2 | B1-U0-G2 | B1-U0-G2 | B1-U0-G2 | B1-U0-G3 | B1-U0-G3 | B2-U0-G3 | B2-U0-G3 | |

| Light Engine | PA1-20 | PA1-30 | PA1-40 | PA1-50 | PA1-60 | PA1-70 | PA1-80 | PA1-90 | PA1-100 | |
|------------------------------|------------------------|------------|------------|----------|----------|----------|----------|----------|----------|----------|
| Nominal Power (Watts) | 21 | 31 | 40 | 54 | 64 | 74 | 83 | 94 | 96 | |
| Wattage Label | 20 | 30 | 40 | 50 | 60 | 70 | 80 | 90 | 100 | |
| Current (A) @120V | 0.18 | 0.26 | 0.34 | 0.45 | 0.53 | 0.62 | 0.70 | 0.78 | 0.80 | |
| Current (A) @277V | -- | 0.12 | 0.15 | 0.21 | 0.24 | 0.28 | 0.31 | 0.35 | 0.35 | |
| Current (A) @347V | -- | 0.10 | 0.13 | 0.16 | 0.19 | 0.22 | 0.24 | 0.28 | 0.28 | |
| Current (A) @480V | -- | 0.07 | 0.09 | 0.13 | 0.14 | 0.17 | 0.18 | 0.21 | 0.21 | |
| Optics | | | | | | | | | | |
| SL3-A | 4000K | 2,570 | 3,606 | 4,669 | 6,022 | 6,958 | 7,803 | 8,529 | 9,196 | 9,312 |
| | Lumens per Watt | 122 | 116 | 117 | 112 | 109 | 105 | 103 | 98 | 97 |
| | BUG Rating | BUG Rating | BUG Rating | B1-U3-G3 | B1-U3-G3 | B1-U3-G3 | B2-U3-G3 | B2-U3-G4 | B2-U3-G4 | B2-U3-G4 |
| | 3000K | 2,341 | 3,284 | 4,253 | 5,484 | 6,336 | 7,106 | 7,767 | 8,375 | 8,480 |
| | Lumens per Watt | 111 | 106 | 106 | 102 | 99 | 96 | 94 | 89 | 88 |
| SL3-CL | 4000K | 2,640 | 3,704 | 4,796 | 6,185 | 7,146 | 8,014 | 8,760 | 9,445 | 9,564 |
| | Lumens per Watt | 126 | 119 | 120 | 115 | 112 | 108 | 106 | 100 | 100 |
| | BUG Rating | B1-U2-G2 | B1-U3-G2 | B1-U3-G2 | B1-U3-G3 | B1-U3-G3 | B2-U3-G3 | B2-U3-G3 | B2-U3-G3 | B2-U3-G3 |
| | 3000K | 2,404 | 3,373 | 4,368 | 5,633 | 6,508 | 7,299 | 7,978 | 8,601 | 8,710 |
| | Lumens per Watt | 114 | 109 | 109 | 104 | 102 | 99 | 96 | 91 | 91 |
| SL3-TL | 4000K | 2,563 | 3,596 | 4,656 | 6,005 | 6,938 | 7,781 | 8,505 | 9,170 | 9,286 |
| | Lumens per Watt | 122 | 116 | 116 | 111 | 108 | 105 | 102 | 98 | 97 |
| | BUG Rating | B1-U3-G2 | B1-U3-G2 | B1-U3-G3 | B1-U3-G3 | B2-U3-G3 | B2-U3-G3 | B2-U3-G3 | B2-U3-G4 | B2-U3-G4 |
| | 3000K | 2,334 | 3,275 | 4,241 | 5,469 | 6,318 | 7,086 | 7,746 | 8,351 | 8,456 |
| | Lumens per Watt | 111 | 106 | 106 | 101 | 99 | 96 | 93 | 89 | 88 |
| SL3-FL | 4000K | 2,507 | 3,517 | 4,554 | 5,873 | 6,785 | 7,610 | 8,318 | 8,968 | 9,081 |
| | Lumens per Watt | 119 | 113 | 114 | 109 | 106 | 103 | 100 | 95 | 95 |
| | BUG Rating | B1-U3-G2 | B1-U3-G3 | B1-U3-G3 | B1-U3-G3 | B2-U3-G4 | B2-U3-G4 | B2-U3-G4 | B2-U3-G4 | B2-U3-G4 |
| | 3000K | 2,283 | 3,203 | 4,147 | 5,349 | 6,180 | 6,931 | 7,575 | 8,167 | 8,271 |
| | Lumens per Watt | 109 | 103 | 104 | 99 | 97 | 94 | 91 | 87 | 86 |
| SL3-HSS | 4000K | 2,322 | 3,257 | 4,217 | 5,439 | 6,284 | 7,047 | 7,703 | 8,305 | 8,410 |
| | Lumens per Watt | 111 | 105 | 105 | 101 | 98 | 95 | 93 | 88 | 88 |
| | BUG Rating | B0-U0-G1 | B0-U0-G1 | B1-U0-G1 | B1-U0-G2 | B1-U0-G2 | B1-U0-G2 | B1-U0-G2 | B1-U0-G2 | B1-U0-G2 |
| | 3000K | 2,114 | 2,966 | 3,841 | 4,953 | 5,723 | 6,418 | 7,015 | 7,564 | 7,659 |
| | Lumens per Watt | 101 | 96 | 96 | 92 | 89 | 87 | 85 | 80 | 80 |
| T3 | 4000K | 2,800 | 3,927 | 5,086 | 6,559 | 7,578 | 8,498 | 9,289 | 10,015 | 10,142 |
| | Lumens per Watt | 133 | 127 | 127 | 121 | 118 | 115 | 112 | 107 | 106 |
| | BUG Rating | B1-U0-G1 | B1-U0-G1 | B1-U0-G2 | B1-U0-G2 | B2-U0-G2 | B2-U0-G2 | B2-U0-G2 | B2-U0-G3 | B2-U0-G3 |
| | 3000K | 2,550 | 3,577 | 4,631 | 5,973 | 6,901 | 7,740 | 8,460 | 9,121 | 9,236 |
| | Lumens per Watt | 121 | 115 | 116 | 111 | 108 | 105 | 102 | 97 | 96 |
| T3-A | 4000K | 2,622 | 3,678 | 4,763 | 6,143 | 7,097 | 7,960 | 8,700 | 9,380 | 9,498 |
| | Lumens per Watt | 125 | 119 | 119 | 114 | 111 | 108 | 105 | 100 | 99 |
| | BUG Rating | B1-U3-G2 | B1-U3-G2 | B1-U3-G3 | B1-U3-G3 | B2-U3-G3 | B2-U3-G3 | B2-U3-G3 | B2-U3-G4 | B2-U3-G4 |
| | 3000K | 2,338 | 3,350 | 4,338 | 5,594 | 6,463 | 7,249 | 7,923 | 8,542 | 8,650 |
| | Lumens per Watt | 114 | 108 | 108 | 104 | 101 | 98 | 95 | 91 | 90 |
| | BUG Rating | B1-U3-G2 | B1-U3-G2 | B1-U3-G3 | B1-U3-G3 | B2-U3-G3 | B2-U3-G3 | B2-U3-G3 | B2-U3-G3 | B2-U3-G3 |

| Light Engine | PA1-20 | PA1-30 | PA1-40 | PA1-50 | PA1-60 | PA1-70 | PA1-80 | PA1-90 | PA1-100 | |
|------------------------------|------------------------|----------|----------|----------|----------|----------|----------|----------|----------|----------|
| Nominal Power (Watts) | 21 | 31 | 40 | 54 | 64 | 74 | 83 | 94 | 96 | |
| Wattage Label | 20 | 30 | 40 | 50 | 60 | 70 | 80 | 90 | 100 | |
| Current (A) @120V | 0.18 | 0.26 | 0.34 | 0.45 | 0.53 | 0.62 | 0.70 | 0.78 | 0.80 | |
| Current (A) @277V | -- | 0.12 | 0.15 | 0.21 | 0.24 | 0.28 | 0.31 | 0.35 | 0.35 | |
| Current (A) @347V | -- | 0.10 | 0.13 | 0.16 | 0.19 | 0.22 | 0.24 | 0.28 | 0.28 | |
| Current (A) @480V | -- | 0.07 | 0.09 | 0.13 | 0.14 | 0.17 | 0.18 | 0.21 | 0.21 | |
| Optics | | | | | | | | | | |
| T3-CL | 4000K | 2,719 | 3,814 | 4,939 | 6,370 | 7,359 | 8,253 | 9,021 | 9,726 | 9,849 |
| | Lumens per Watt | 129 | 123 | 123 | 118 | 115 | 112 | 109 | 103 | 103 |
| | BUG Rating | B1-U2-G1 | B1-U3-G2 | B1-U3-G2 | B2-U3-G2 | B2-U3-G3 | B2-U3-G3 | B2-U3-G3 | B2-U3-G3 | B2-U3-G3 |
| | 3000K | 2,476 | 3,473 | 4,498 | 5,801 | 6,702 | 7,516 | 8,216 | 8,858 | 8,970 |
| | Lumens per Watt | 118 | 112 | 112 | 107 | 105 | 102 | 99 | 94 | 93 |
| T3-TL | 4000K | 2,623 | 3,680 | 4,765 | 6,146 | 7,100 | 7,963 | 8,704 | 9,384 | 9,503 |
| | Lumens per Watt | 125 | 119 | 119 | 114 | 111 | 108 | 105 | 100 | 99 |
| | BUG Rating | B1-U2-G2 | B1-U3-G2 | B1-U3-G3 | B2-U3-G3 | B2-U3-G3 | B2-U3-G3 | B2-U3-G3 | B2-U3-G3 | B2-U3-G4 |
| | 3000K | 2,389 | 3,351 | 4,340 | 5,597 | 6,466 | 7,252 | 7,927 | 8,546 | 8,654 |
| | Lumens per Watt | 114 | 108 | 109 | 104 | 101 | 98 | 96 | 91 | 90 |
| T3-FL | 4000K | 2,563 | 3,595 | 4,656 | 6,004 | 6,937 | 7,780 | 8,504 | 9,169 | 9,284 |
| | Lumens per Watt | 122 | 116 | 116 | 111 | 108 | 105 | 102 | 98 | 97 |
| | BUG Rating | B1-U3-G2 | B1-U3-G3 | B1-U3-G3 | B2-U3-G3 | B2-U3-G3 | B2-U3-G4 | B2-U3-G4 | B2-U3-G4 | B2-U3-G4 |
| | 3000K | 2,334 | 3,274 | 4,240 | 5,468 | 6,318 | 7,086 | 7,745 | 8,350 | 8,455 |
| | Lumens per Watt | 111 | 106 | 106 | 101 | 99 | 96 | 93 | 89 | 88 |
| T3-HSS | 4000K | 2,121 | 2,975 | 3,853 | 4,969 | 5,740 | 6,438 | 7,037 | 7,587 | 7,683 |
| | Lumens per Watt | 101 | 96 | 96 | 92 | 90 | 87 | 85 | 81 | 80 |
| | BUG Rating | B0-U0-G1 | B0-U0-G1 | B0-U0-G1 | B1-U0-G2 | B1-U0-G2 | B1-U0-G2 | B1-U0-G2 | B1-U0-G2 | B1-U0-G2 |
| | 3000K | 1,931 | 2,710 | 3,509 | 4,525 | 5,228 | 5,863 | 6,409 | 6,910 | 6,997 |
| | Lumens per Watt | 92 | 87 | 88 | 84 | 82 | 79 | 77 | 74 | 73 |
| T4W | 4000K | 2,779 | 3,899 | 5,048 | 6,511 | 7,522 | 8,436 | 9,221 | 9,942 | 10,067 |
| | Lumens per Watt | 132 | 126 | 126 | 121 | 118 | 114 | 111 | 106 | 105 |
| | BUG Rating | B1-U0-G1 | B1-U0-G2 | B1-U0-G2 | B1-U0-G2 | B1-U0-G2 | B2-U0-G2 | B2-U0-G3 | B2-U0-G3 | B2-U0-G3 |
| | 3000K | 2,531 | 3,550 | 4,598 | 5,929 | 6,850 | 7,683 | 8,398 | 9,054 | 9,168 |
| | Lumens per Watt | 121 | 115 | 115 | 110 | 107 | 104 | 101 | 96 | 95 |
| T4W-A | 4000K | 2,619 | 3,674 | 4,757 | 6,135 | 7,088 | 7,949 | 8,689 | 9,368 | 9,486 |
| | Lumens per Watt | 125 | 119 | 119 | 114 | 111 | 107 | 105 | 100 | 99 |
| | BUG Rating | B1-U3-G2 | B1-U3-G3 | B1-U3-G3 | B2-U3-G3 | B2-U3-G3 | B2-U3-G4 | B2-U3-G4 | B2-U3-G4 | B2-U3-G4 |
| | 3000K | 2,385 | 3,346 | 4,332 | 5,587 | 6,455 | 7,240 | 7,913 | 8,532 | 8,639 |
| | Lumens per Watt | 114 | 108 | 108 | 103 | 101 | 98 | 95 | 91 | 90 |
| T4W-CL | 4000K | 2,712 | 3,804 | 4,926 | 6,353 | 7,340 | 8,232 | 8,998 | 9,701 | 9,824 |
| | Lumens per Watt | 129 | 123 | 123 | 118 | 115 | 111 | 108 | 103 | 102 |
| | BUG Rating | B1-U2-G2 | B1-U3-G2 | B1-U3-G2 | B2-U3-G3 | B2-U3-G3 | B2-U3-G3 | B2-U3-G3 | B2-U3-G3 | B2-U3-G3 |
| | 3000K | 2,470 | 3,465 | 4,486 | 5,786 | 6,685 | 7,497 | 8,195 | 8,835 | 8,947 |
| | Lumens per Watt | 118 | 112 | 112 | 107 | 104 | 101 | 99 | 94 | 93 |
| T4W-CL | 4000K | 2,712 | 3,804 | 4,926 | 6,353 | 7,340 | 8,232 | 8,998 | 9,701 | 9,824 |
| | Lumens per Watt | 129 | 123 | 123 | 118 | 115 | 111 | 108 | 103 | 102 |
| | BUG Rating | B1-U2-G2 | B1-U3-G2 | B1-U3-G2 | B2-U3-G3 | B2-U3-G3 | B2-U3-G3 | B2-U3-G3 | B2-U3-G3 | B2-U3-G3 |
| | 3000K | 2,470 | 3,465 | 4,486 | 5,786 | 6,685 | 7,497 | 8,195 | 8,835 | 8,947 |
| | Lumens per Watt | 118 | 112 | 112 | 107 | 104 | 101 | 99 | 94 | 93 |
| T4W-CL | 4000K | 2,712 | 3,804 | 4,926 | 6,353 | 7,340 | 8,232 | 8,998 | 9,701 | 9,824 |
| | Lumens per Watt | 129 | 123 | 123 | 118 | 115 | 111 | 108 | 103 | 102 |
| | BUG Rating | B1-U2-G2 | B1-U3-G2 | B1-U3-G2 | B2-U3-G3 | B2-U3-G3 | B2-U3-G3 | B2-U3-G3 | B2-U3-G3 | B2-U3-G3 |
| | 3000K | 2,470 | 3,465 | 4,486 | 5,786 | 6,685 | 7,497 | 8,195 | 8,835 | 8,947 |
| | Lumens per Watt | 118 | 112 | 112 | 107 | 104 | 101 | 99 | 94 | 93 |
| T4W-CL | 4000K | 2,712 | 3,804 | 4,926 | 6,353 | 7,340 | 8,232 | 8,998 | 9,701 | 9,824 |
| | Lumens per Watt | 129 | 123 | 123 | 118 | 115 | 111 | 108 | 103 | 102 |
| | BUG Rating | B1-U2-G2 | B1-U3-G2 | B1-U3-G2 | B2-U3-G3 | B2-U3-G3 | B2-U3-G3 | B2-U3-G3 | B2-U3-G3 | B2-U3-G3 |
| | 3000K | 2,470 | 3,465 | 4,486 | 5,786 | 6,685 | 7,497 | 8,195 | 8,835 | 8,947 |
| | Lumens per Watt | 118 | 112 | 112 | 107 | 104 | 101 | 99 | 94 | 93 |
| T4W-CL | 4000K | 2,712 | 3,804 | 4,926 | 6,353 | 7,340 | 8,232 | 8,998 | 9,701 | 9,824 |
| | Lumens per Watt | 129 | 123 | 123 | 118 | 115 | 111 | 108 | 103 | 102 |
| | BUG Rating | B1-U2-G2 | B1-U3-G2 | B1-U3-G2 | B2-U3-G3 | B2-U3-G3 | B2-U3-G3 | B2-U3-G3 | B2-U3-G3 | B2-U3-G3 |
| | 3000K | 2,470 | 3,465 | 4,486 | 5,786 | 6,685 | 7,497 | 8,195 | 8,835 | 8,947 |
| | Lumens per Watt | 118 | 112 | 112 | 107 | 104 | 101 | 99 | 94 | 93 |

Power and Lumens

| Light Engine | PA1-20 | PA1-30 | PA1-40 | PA1-50 | PA1-60 | PA1-70 | PA1-80 | PA1-90 | PA1-100 | |
|------------------------------|------------------------|----------|----------|----------|----------|----------|----------|----------|----------|----------|
| Nominal Power (Watts) | 21 | 31 | 40 | 54 | 64 | 74 | 83 | 94 | 96 | |
| Wattage Label | 20 | 30 | 40 | 50 | 60 | 70 | 80 | 90 | 100 | |
| Current (A) @120V | 0.18 | 0.26 | 0.34 | 0.45 | 0.53 | 0.62 | 0.70 | 0.78 | 0.80 | |
| Current (A) @277V | -- | 0.12 | 0.15 | 0.21 | 0.24 | 0.28 | 0.31 | 0.35 | 0.35 | |
| Current (A) @347V | -- | 0.10 | 0.13 | 0.16 | 0.19 | 0.22 | 0.24 | 0.28 | 0.28 | |
| Current (A) @480V | -- | 0.07 | 0.09 | 0.13 | 0.14 | 0.17 | 0.18 | 0.21 | 0.21 | |
| Optics | | | | | | | | | | |
| T4W-TL | 4000K | 2,595 | 3,640 | 4,714 | 6,079 | 7,024 | 7,877 | 8,610 | 9,283 | 9,400 |
| | Lumens per Watt | 124 | 117 | 118 | 113 | 110 | 106 | 104 | 99 | 98 |
| | BUG Rating | B1-U3-G2 | B1-U3-G3 | B1-U3-G3 | B2-U3-G3 | B2-U3-G3 | B2-U3-G4 | B2-U3-G4 | B2-U3-G4 | B2-U3-G4 |
| | 3000K | 2,363 | 3,315 | 4,293 | 5,537 | 6,397 | 7,174 | 7,841 | 8,454 | 8,561 |
| | Lumens per Watt | 113 | 107 | 107 | 103 | 100 | 97 | 94 | 90 | 89 |
| T4W-FL | BUG Rating | B1-U2-G2 | B1-U3-G2 | B1-U3-G3 | B1-U3-G3 | B2-U3-G3 | B2-U3-G3 | B2-U3-G4 | B2-U3-G4 | B2-U3-G4 |
| | 4000K | 2,540 | 3,563 | 4,614 | 5,950 | 6,874 | 7,710 | 8,427 | 9,086 | 9,200 |
| | Lumens per Watt | 121 | 115 | 115 | 110 | 107 | 104 | 102 | 97 | 96 |
| | BUG Rating | B1-U3-G2 | B1-U3-G3 | B1-U3-G3 | B2-U3-G3 | B2-U3-G4 | B2-U3-G4 | B2-U3-G4 | B2-U3-G5 | B2-U3-G5 |
| | 3000K | 2,313 | 3,245 | 4,202 | 5,419 | 6,261 | 7,021 | 7,675 | 8,274 | 8,379 |
| T4W-HSS | Lumens per Watt | 110 | 105 | 105 | 100 | 98 | 95 | 92 | 88 | 87 |
| | BUG Rating | B1-U3-G2 | B1-U3-G3 | B1-U3-G3 | B1-U3-G3 | B2-U3-G4 | B2-U3-G4 | B2-U3-G4 | B2-U3-G4 | B2-U3-G4 |
| | 4000K | 2,081 | 2,919 | 3,780 | 4,875 | 5,633 | 6,317 | 6,905 | 7,445 | 7,539 |
| | Lumens per Watt | 99 | 94 | 94 | 90 | 88 | 85 | 83 | 79 | 79 |
| | BUG Rating | B0-U0-G1 | B0-U0-G1 | B0-U0-G2 | B1-U0-G2 | B1-U0-G2 | B1-U0-G2 | B1-U0-G2 | B1-U0-G2 | B1-U0-G2 |
| 5WQ | 3000K | 1,895 | 2,659 | 3,443 | 4,440 | 5,130 | 5,753 | 6,288 | 6,780 | 6,866 |
| | Lumens per Watt | 90 | 86 | 86 | 82 | 80 | 78 | 76 | 72 | 72 |
| | BUG Rating | B0-U0-G1 | B0-U0-G1 | B0-U0-G1 | B1-U0-G2 | B1-U0-G2 | B1-U0-G2 | B1-U0-G2 | B1-U0-G2 | B1-U0-G2 |
| | 4000K | 2,936 | 4,118 | 5,333 | 6,878 | 7,946 | 8,912 | 9,741 | 10,502 | 10,635 |
| | Lumens per Watt | 140 | 133 | 133 | 127 | 124 | 120 | 117 | 112 | 111 |
| 5WQ-A | BUG Rating | B2-U0-G1 | B3-U0-G1 | B3-U0-G2 | B3-U0-G2 | B3-U0-G2 | B4-U0-G2 | B4-U0-G2 | B4-U0-G2 | B4-U0-G2 |
| | 3000K | 2,674 | 3,751 | 4,857 | 6,264 | 7,237 | 8,116 | 8,871 | 9,565 | 9,685 |
| | Lumens per Watt | 127 | 121 | 121 | 116 | 113 | 110 | 107 | 102 | 101 |
| | BUG Rating | B2-U0-G1 | B3-U0-G1 | B3-U0-G1 | B3-U0-G2 | B3-U0-G2 | B3-U0-G2 | B4-U0-G2 | B4-U0-G2 | B4-U0-G2 |
| | 4000K | 2,765 | 3,879 | 5,023 | 6,478 | 7,485 | 8,394 | 9,175 | 9,892 | 10,017 |
| 5WQ-CL | Lumens per Watt | 132 | 125 | 126 | 120 | 117 | 113 | 111 | 105 | 104 |
| | BUG Rating | B2-U3-G2 | B2-U3-G2 | B3-U3-G3 | B3-U3-G3 | B3-U3-G3 | B3-U3-G3 | B3-U3-G3 | B4-U3-G4 | B4-U3-G4 |
| | 3000K | 2,518 | 3,533 | 4,575 | 5,900 | 6,816 | 7,645 | 8,356 | 9,009 | 9,123 |
| | Lumens per Watt | 120 | 114 | 114 | 109 | 106 | 103 | 101 | 96 | 95 |
| | BUG Rating | B2-U3-G2 | B2-U3-G2 | B3-U3-G3 | B3-U3-G3 | B3-U3-G3 | B3-U3-G3 | B3-U3-G3 | B3-U3-G3 | B3-U3-G3 |
| 5WQ-TL | 4000K | 2,845 | 3,991 | 5,168 | 6,665 | 7,701 | 8,637 | 9,440 | 10,178 | 10,306 |
| | Lumens per Watt | 135 | 129 | 129 | 123 | 120 | 117 | 114 | 108 | 107 |
| | BUG Rating | B2-U3-G1 | B3-U3-G2 | B3-U3-G2 | B3-U3-G3 | B3-U3-G3 | B3-U3-G3 | B4-U3-G3 | B4-U3-G3 | B4-U3-G3 |
| | 3000K | 2,591 | 3,635 | 4,707 | 6,070 | 7,013 | 7,865 | 8,597 | 9,269 | 9,386 |
| | Lumens per Watt | 123 | 117 | 118 | 112 | 110 | 106 | 104 | 99 | 98 |
| 5WQ-TL | BUG Rating | B2-U2-G1 | B3-U3-G2 | B3-U3-G2 | B3-U3-G2 | B3-U3-G3 | B3-U3-G3 | B3-U3-G3 | B4-U3-G3 | B4-U3-G3 |
| | 4000K | 2,753 | 3,863 | 5,002 | 6,451 | 7,453 | 8,358 | 9,136 | 9,850 | 9,974 |
| | Lumens per Watt | 131 | 125 | 125 | 119 | 116 | 113 | 110 | 105 | 104 |
| | BUG Rating | B2-U3-G2 | B3-U3-G2 | B3-U3-G3 | B3-U3-G3 | B3-U3-G3 | B3-U3-G3 | B3-U3-G3 | B4-U3-G3 | B4-U3-G3 |
| | 3000K | 2,508 | 3,518 | 4,555 | 5,875 | 6,787 | 7,612 | 8,320 | 8,971 | 9,084 |
| Lumens per Watt | 119 | 111 | 114 | 109 | 106 | 103 | 100 | 95 | 95 | |
| BUG Rating | B2-U3-G2 | B2-U3-G2 | B3-U3-G3 | B3-U3-G3 | B3-U3-G3 | B3-U3-G3 | B3-U3-G3 | B3-U3-G3 | B3-U3-G3 | |

Power and Lumens

| Light Engine | PA1-20 | PA1-30 | PA1-40 | PA1-50 | PA1-60 | PA1-70 | PA1-80 | PA1-90 | PA1-100 | | |
|-----------------------|-----------------|----------|----------|----------|----------|----------|----------|----------|----------|----------|----------|
| Nominal Power (Watts) | 21 | 31 | 40 | 54 | 64 | 74 | 83 | 94 | 96 | | |
| Wattage Label | 20 | 30 | 40 | 50 | 60 | 70 | 80 | 90 | 100 | | |
| Current (A) @120V | 0.18 | 0.26 | 0.34 | 0.45 | 0.53 | 0.62 | 0.70 | 0.78 | 0.80 | | |
| Current (A) @277V | -- | 0.12 | 0.15 | 0.21 | 0.24 | 0.28 | 0.31 | 0.35 | 0.35 | | |
| Current (A) @347V | -- | 0.10 | 0.13 | 0.16 | 0.19 | 0.22 | 0.24 | 0.28 | 0.28 | | |
| Current (A) @480V | -- | 0.07 | 0.09 | 0.13 | 0.14 | 0.17 | 0.18 | 0.21 | 0.21 | | |
| Optics | | | | | | | | | | | |
| 5WQ-FL | 4000K | 2,703 | 3,792 | 4,910 | 6,333 | 7,316 | 8,206 | 8,969 | 9,670 | 9,792 | |
| | Lumens per Watt | 129 | 122 | 123 | 117 | 114 | 111 | 108 | 103 | 102 | |
| | BUG Rating | B2-U3-G2 | B2-U3-G3 | B3-U3-G3 | B3-U3-G3 | B3-U3-G3 | B3-U3-G3 | B3-U3-G3 | B3-U3-G4 | B3-U4-G4 | B3-U4-G4 |
| | 3000K | 2,462 | 3,453 | 4,472 | 5,767 | 6,663 | 7,473 | 8,168 | 8,807 | 8,918 | |
| | Lumens per Watt | 117 | 111 | 112 | 107 | 104 | 101 | 98 | 94 | 93 | |
| | BUG Rating | B2-U3-G2 | B2-U3-G2 | B3-U3-G3 | B3-U3-G3 | B3-U3-G3 | B3-U3-G3 | B3-U3-G3 | B3-U3-G3 | B3-U3-G4 | B3-U3-G4 |

Lumen Maintenance

| Light Engine | Ambient Temperature | TM-21 Lumen Maintenance (60,000 Hours) | Theoretical L70 (Hours) |
|--------------|---------------------|--|-------------------------|
| PA1 | Up to 40°C | > 98% | > 800,000 |

Lumen Multiplier

| Ambient Temperature | Lumen Multiplier |
|---------------------|------------------|
| 10°C | 1.02 |
| 15°C | 1.01 |
| 25°C | 1.00 |
| 40°C | 0.99 |
| 50°C | 0.96 |

 [View LXF/LXT IES files](#)

FADC Settings

| FADC Position | Percent of Typical Lumen Output |
|---------------|---------------------------------|
| 1 | 25% |
| 2 | 46% |
| 3 | 55% |
| 4 | 62% |
| 5 | 72% |
| 6 | 77% |
| 7 | 82% |
| 8 | 85% |
| 9 | 90% |
| 10 | 100% |

Note: +/-5% typical value