

INSTALLATION * MAINTENANCE INSTRUCTION

PRODUCT: **OVH/OVG**

IMPORTANT: READ CAREFULLY BEFORE INSTALLING FIXTURE. RETAIN FOR FUTURE REFERENCE.

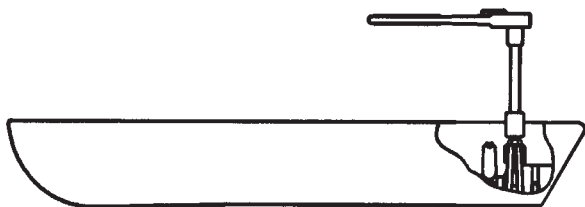
GENERAL: UPON RECEIPT OF FIXTURE THOROUGHLY INSPECT FOR ANY FREIGHT DAMAGE WHICH SHOULD BE BROUGHT TO THE ATTENTION OF THE DELIVERING CARRIER. COMPARE THE CATALOG DESCRIPTION LISTED ON THE PACKING SLIP WITH THE FIXTURE LABEL ON THE HOUSING TO ASSURE YOU HAVE RECEIVED THE CORRECT MERCHANDISE.

SAFETY: THIS FIXTURE MUST BE WIRED IN ACCORDANCE WITH THE NATIONAL ELECTRICAL CODE AND APPLICABLE LOCAL CODES AND ORDINANCES. PROPER GROUNDING IS REQUIRED TO INSURE PERSONAL SAFETY. CAREFULLY OBSERVE GROUNDING PROCEDURE UNDER INSTALLATION SECTION. ALL WORK SHOULD BE DONE BY A QUALIFIED ELECTRICIAN.

WARNING: Make certain power is OFF before starting installation or attempting any maintenance.

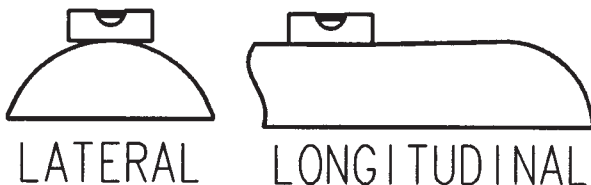
THESE LUMINAIRES ARE DESIGNED FOR OUTDOOR LIGHTING SERVICE, AND SHOULD NOT BE USED IN AREAS OF LIMITED VENTILATION OR IN HIGH AMBIENT TEMPERATURE ENCLOSURES. BEST RESULTS WILL BE OBTAINED IF INSTALLED AND MAINTAINED ACCORDING TO THE FOLLOWING RECOMMENDATIONS.

1. OPEN UNIT BY RELEASING LATCH.
2. REMOVE DOOR BY OPENING TO APPROXIMATELY 130° THEN LIFT DOOR FROM HINGE SOCKETS OF THE HOUSING. SET DOOR ASIDE DURING FIXTURE INSTALLATION.
3. LOOSEN PIPE CLAMP BOLTS SUFFICIENTLY TO ALLOW INSERTION OF 1-1/4" TO 2" PIPE ARM AS NEEDED.

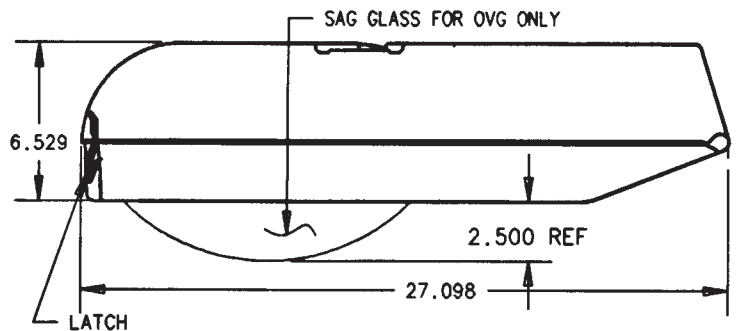


4. SLIDE UNIT ONTO THE PIPE MOUNTING ARM UNTIL END OF PIPE RESTS ON "LEVELING STEPS". (CARE IS TO BE TAKEN SO ARM DOES NOT INADVERTANTLY STRIKE BALLAST.)
5. LONGITUDINAL LEVELING IS ACCOMPLISHED AFTER THE FIXTURE IS RESTING ON THE "LEVELING STEPS" AND THE FIXTURE APPEARS LEVEL. SECURE FIXTURE BY HAND TIGHTENING CLAMPING BOLTS. PLACE LEVEL ON LEVELING RIBS ON TOP OF FIXTURE TO ENSURE IT IS LEVEL. IF IT IS NOT, LOOSEN CLAMPING BOLTS AND ADJUST.

LATERAL LEVELING IS ACCOMPLISHED BY SIMPLY ROTATING LEVEL ON RIBS 90° AND CHECK LEVELING AS SHOWN.



ONCE FIXTURE IS LEVEL, TIGHTEN CLAMPING BOLTS TO THE RECOMMENDED TORQUE OF 18-20 FT-LBS.



6. INTERNAL WIRING OF THE FIXTURE HAS BEEN COMPLETED BY THE FACTORY FOR A SPECIFIC VOLTAGE (SEE CAUTION LABEL ATTACHED TO THE TERMINAL BLOCK). TO ATTACH USER'S SERVICE LEADS TO TERMINAL BLOCK, USE THE FOLLOWING INSTRUCTIONS:
 - A TWO-TERMINAL BLOCK: LINE LEAD (BLACK) IS CONNECTED TO #2 TERMINAL; NEUTRAL LEAD (WHITE) IS CONNECTED TO #1 TERMINAL.
 - B THREE-TERMINAL BLOCK (2-WIRE SERVICE): LINE LEAD (BLACK) IS CONNECTED TO L1 TERMINAL; NEUTRAL LEAD (WHITE) IS CONNECTED TO L2 TERMINAL.
 - C THREE-TERMINAL BLOCK (3 WIRE SERVICE): LINE LEADS (BLACK) ARE CONNECTED TO TERMINALS L1 & L2; NEUTRAL LEAD (WHITE) IS CONNECTED TO N TERMINAL.

TERMINALS ARE NUMBERED AT WIRE ENTRANCE OF TERMINAL BLOCK.

* FOR ADDITIONAL WIRING INFORMATION, SEE APPROPRIATE WIRING DIAGRAM INSIDE FIXTURE HOUSING.

7. INSTALL LAMP, THEN REPLACE DOOR. TO INSTALL DOOR: HOLD DOOR APPROXIMATELY 40° PAST VERTICAL AND INSERT HINGE PINS INTO HOUSING HINGE SOCKETS. SWING INTO CLOSED POSITION AND LATCH.

(OVER)



THESE INSTRUCTIONS DO NOT CLAIM TO COVER ALL DETAILS OR VARIATIONS IN THE EQUIPMENT, PROCEDURE, OR PROCESS DESCRIBED, NOR TO PROVIDE DIRECTIONS FOR MEETING EVERY POSSIBLE CONTINGENCY DURING INSTALLATION, OPERATION OR MAINTENANCE. WHEN ADDITIONAL INFORMATION IS DESIRED TO SATISFY A PROBLEM NOT COVERED SUFFICIENTLY FOR USER'S PURPOSE, PLEASE CONTACT YOUR NEAREST REPRESENTATIVE.

INSTALLATION * MAINTENANCE INSTRUCTIONS

PRODUCT:

OVH/OVG

IMPORTANT: READ CAREFULLY BEFORE INSTALLING FIXTURE. RETAIN FOR FUTURE REFERENCE.

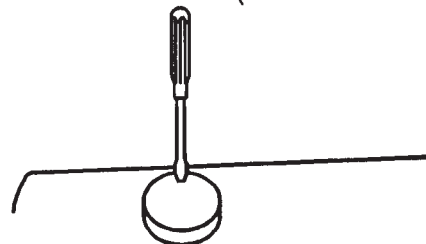
WARNING: Make certain power is OFF before starting installation or attempting any maintenance.

PHOTOCELL RECEPTACLE ORIENTATION

REMOVE SHORTING CAP (WHEN PROVIDED)

1. LOOSEN TWO FLATHEAD SCREWS SUFFICIENTLY TO ALLOW ROTATION OF THE RECEPTACLE.
2. INSERT SCREWDRIVER INTO CENTER SLOT TO ROTATE RECEPTACLE UNTIL ARROW POINTS NORTH.
3. HOLD RECEPTACLE AND TIGHTEN SCREWS FIRMLY.
4. INSERT PHOTOCELL CONTROL AND TWIST CLOCKWISE TO A LOCKED POSITION.

THE PHOTOCELL MUST CONTAIN A SOFT, RESILIENT GASKET TO ASSURE A PROPER WEATHER SEAL BETWEEN THE PHOTOCELL AND THE RECEPTACLE.



THIS ORIENTATION PROCEDURE IS ONLY FOR PHOTOCELLS WHICH SPECIFICALLY REQUIRE THAT THE CELL BE AIMED NORTH, OTHERWISE RANDOM FACTORY ORIENTATION WILL GENERALLY SUFFICE. FOLLOW THE DIRECTIONS RECOMMENDED BY THE SUPPLIER OF THE PHOTOCELL. LOCAL CONDITION, SUCH AS PHOTOCELL PROXIMITY TO LIGHT-COLORED BUILDING SURFACE, LIGHTED SIGNS, FLOODLIGHTS, TREE BRANCHES, ETC., MAY AFFECT FINAL PHOTOCELL POSITION.

LIGHT DISTRIBUTION READJUSTMENT

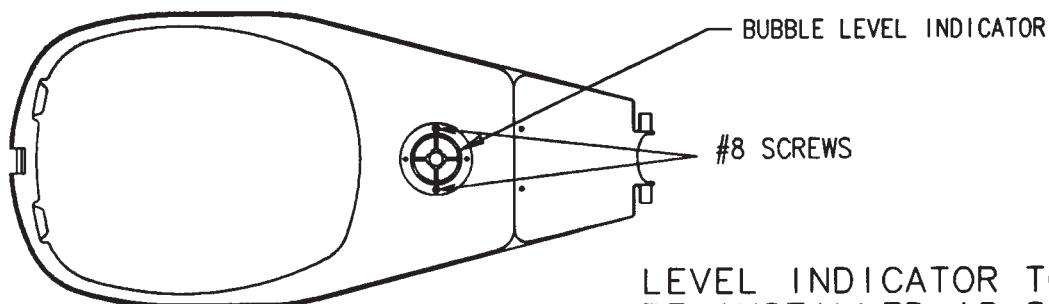
LIGHT DISTRIBUTION IS FACTORY-SET PER CUSTOMER ORDER. LIGHT DISTRIBUTION MAY BE REVISED IN THE FOLLOWING MANNER: (PLEASE CONTACT YOUR NEAREST REPRESENTATIVE FOR SETTING LOCATIONS FOR YOUR NEEDS)

LATERAL BEAM PATTERN

THE SOCKET MAY BE MOVED FORWARD OR BACKWARD TO ADJUST THE LATERAL LIGHT PATTERN AS FOLLOWS:

- POSITION #2 WILL BRING THE LIGHT CLOSER TO THE CURBLINE.
- POSITION #3 WILL THROW THE LIGHT FARTHER OUT ONTO THE ROADWAY.

INSTALLATION OF LEVEL INDICATOR



MAINTENANCE

THE REFLECTOR'S EFFICIENCY WILL BE RETAINED ONLY IF CLEANED AT REGULAR INTERVALS (SIX MONTHS TO ONE YEAR DEPENDING ON LOCAL CONDITIONS). CLEAN WITH MILD SOAP OR DETERGENT AND WATER OR LIQUID WAX EMULSION. THE REFRACTOR OR FLAT LENS SHOULD BE CLEANED ALONG WITH THE REFLECTOR USING CARE NOT TO CHIP OR BREAK IT.

DO NOT USE ABRASIVES, STRONG ALKALINE, OR ACID CLEANERS

ALL STATEMENTS, TECHNICAL INFORMATION AND RECOMMENDATIONS CONTAINED HEREIN ARE BASED ON INFORMATION AND TESTS WE BELIEVE TO BE RELIABLE. THE ACCURACY OR COMPLETENESS THEREOF IS NOT GUARANTEED, IN ACCORDANCE WITH COOPER LIGHTING SOLUTIONS "TERMS AND CONDITIONS OF SALE," AND SINCE CONDITIONS OR USE ARE OUTSIDE OUR CONTROL. THE PURCHASER SHOULD DETERMINE THE SUITABILITY OF THE PRODUCT FOR HIS INTENDED USE AND ASSUMES ALL RISK AND LIABILITY WHATSOEVER IN CONNECTION HEREWITH.

 **COOPER**
Lighting Solutions

THESE INSTRUCTIONS DO NOT CLAIM TO COVER ALL DETAILS OR VARIATIONS IN THE EQUIPMENT, PROCEDURE, OR PROCESS DESCRIBED, NOR TO PROVIDE DIRECTIONS FOR MEETING EVERY POSSIBLE CONTINGENCY DURING INSTALLATION, OPERATION OR MAINTENANCE. WHEN ADDITIONAL INFORMATION IS DESIRED TO SATISFY A PROBLEM NOT COVERED SUFFICIENTLY FOR USER'S PURPOSE, PLEASE CONTACT YOUR NEAREST REPRESENTATIVE.