

## INSTALLATION INSTRUCTIONS

**IMPORTANT: READ BEFORE REMOVING FIXTURE FROM CARTON.  
RETAIN FOR FUTURE REFERENCE.**



**GENERAL:** Upon receipt of fixture, thoroughly inspect for any freight damage, which should be brought to the attention of the delivery carrier. Compare the catalog description listed on the packing slip with the fixture label on the housing to be sure the correct merchandise has been received.

**SAFETY:** This product must be installed in accordance with the applicable installation code by a person familiar with the construction and operation of the product and the hazards involved.

**WARNING:** Risk of Fire. Consult a qualified electrician to ensure correct branch circuit conductor.

**WARNING:** Risk of Fire/Electric Shock. Install this kit only in the luminaires that has the construction features and dimensions shown in the photographs and/or drawings. Do not make or alter any open holes in an enclosure of wiring or electrical components during kit installation.

**WARNING:** To prevent wiring damage or abrasion, do not expose wiring to edges of sheet metal or other sharp objects.

**WARNING:** Make certain power is OFF before starting installation or attempting any maintenance.

### STANDARD FIXTURE INSTALLATION

1. Loosen the captive cover retaining screws and open the hinged top cover of the fixture. **(FIG. 1)**
2. Remove four (4) acrylic refractor panels by lifting them up and out of the slotted corner posts. Note which panel was removed from each side as these panels are designed to "throw" the light in a particular direction.
3. Pull electrical service leads through the pole with sufficient length to reach through and into the wiring compartment of the fixture. The service leads should pass through the large, circular openings in the mounting plate to avoid cutting or pinching the leads.
4. Unscrew the wire covers two (2) from the fixture base to expose the wiring compartment of the fixture.
5. Connect service leads to the appropriate position within the terminal block **(FIG. 2)**. Black (HOT) service lead should connect to L1 position. White (neutral) service lead should connect to the N position. Green (ground) service lead should connect to the L2 position.

**NOTE:** The Leverlock connectors that are provided can accommodate up to 12AWG solid or stranded wire.

6. For fixtures with asymmetric light patterns, locate the word "streetside" on the overhang plate and rotate the fixture on the pole such that the word "streetside" is facing the street. **(FIG. 1)**
7. Secure the fixture to the pole top by tightening the three (3) set screws in the fixture base. Recommended tightening torque: 120-140 in-lbs.
8. Replace the four (4) acrylic refractor panels. Close the cover and secure with two (2) cover retaining screws.
9. The fixture is now ready to energize.

FIG. 1

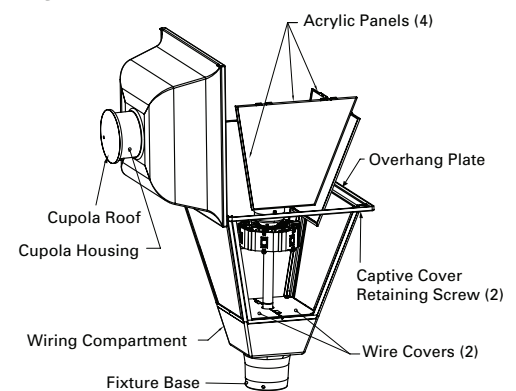
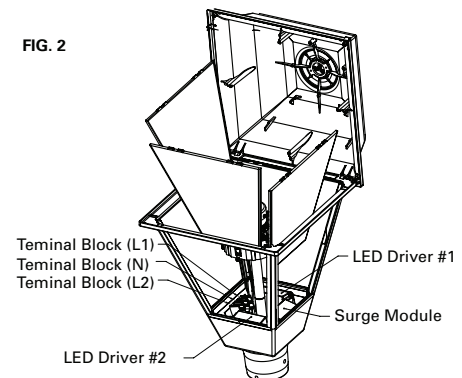


FIG. 2



These instructions do not claim to cover all details or variations in the equipment, procedure, or process described, nor to provide directions for meeting every possible contingency during installation, operation or maintenance. When additional information is desired to satisfy a problem not covered sufficiently for user's purpose, please contact your nearest representative. **NOTE:** Specifications and dimensions subject to change without notice.

**INSTALLATION INSTRUCTIONS**

**IMPORTANT:** READ BEFORE REMOVING FIXTURE FROM CARTON.  
RETAIN FOR FUTURE REFERENCE.

**WARNING:** Make certain power is **OFF** before starting installation or attempting any maintenance.

**BI-LEVEL DIMMING FIXTURE INSTALLATION**

**Tools Required:** Flat head screwdriver, sockets, socket driver.

1. Loosen the captive cover retaining screws and open the hinged top cover of the fixture. **(FIG. 1)**
2. Remove four (4) acrylic refractor panels by lifting them up and out of the slotted corner posts. Note which panel was removed from each side as these panels are designed to “throw” the light in a particular direction.
3. Pull electrical service leads through the pole with sufficient length to reach through and into the wiring compartment of the fixture. The service leads should pass through the large, circular openings in the mounting plate to avoid cutting or pinching the leads.
4. Unscrew the two (2) wire covers from the fixture base to expose the wiring compartment of the fixture.
5. Connect the 1st set of service leads to the proper leverlock connector - Black (HOT) service lead should connect to the leverlock connector with the existing black lead wire. White (Neutral) service lead should connect to the leverlock connector with the existing white lead wire. Green (ground) service lead should connect to the connector with the existing green lead wire. Repeat for the 2nd set of service leads.

**NOTE:** The Leverlock connectors that are provided can accommodate up to 12AWG solid or stranded wire.

6. For fixtures with asymmetric light patterns, locate the word “streetside” on the overhang plate and rotate the fixture on the pole such that the word “streetside” is facing the street. **(FIG. 1)**
7. Secure the fixture to the pole top by tightening the three (3) set screws in the fixture base. Recommended tightening torque: 120-140 in-lbs.
8. Replace the four (4) acrylic refractor panels. Close the cover and secure with (2) cover retaining screws.
9. The fixture is now ready to energize.

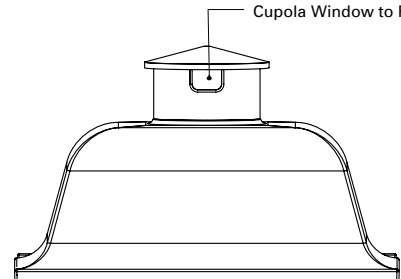
**PHOTOCONTROL INSTALLATION**

When specified, the Traditionaire fixture is furnished with a rotatable photocontrol receptacle that allows the photocontrol to be properly positioned with the use of a straight blade screwdriver.

1. Lift off the cupola roof. **(FIG. 1)**
2. Remove the shorting cap (when furnished) and loosen the two (2) flat head screws.
3. Rotate the cupola until the window in the cupola is facing in a northerly direction. Line up the north arrow of the photocontrol receptacle with the window in the cupola. Retighten the screws and install the photocontrol. **(FIG. 3)**
4. Replace the cupola roof.

**CAUTION:** The receptacle has a built-in stop which allows 350° rotation. Do not attempt to rotate beyond this stop as you will damage the receptacle.

**FIG. 3** Cupola Window to Face North



These instructions do not claim to cover all details or variations in the equipment, procedure, or process described, nor to provide directions for meeting every possible contingency during installation, operation or maintenance. When additional information is desired to satisfy a problem not covered sufficiently for user's purpose, please contact your nearest representative. **NOTE:** Specifications and dimensions subject to change without notice.

## INSTALLATION INSTRUCTIONS

**IMPORTANT:** READ BEFORE REMOVING FIXTURE FROM CARTON.  
RETAIN FOR FUTURE REFERENCE.

**WARNING:** Make certain power is **OFF** before starting installation or attempting any maintenance.

### RETROFIT INSTALLATION TO EXISTING FIXTURE (LED ENGINE ONLY)

**WARNING!** Make sure that all power to the existing fixture has been disabled prior to opening or attempting to install the new LED engine.

1. Remove the LED engine from its carton. Also remove the two (2) wire compartment covers, the one (1) surge module and the one (1) terminal block attachment plate and set them aside.
2. Open the cover of the Traditionaire fixture by loosening the two (2) captive cover retaining screws.
3. Remove all of the acrylic panels by lifting them up and out of the slotted corner posts. Note which panel was removed from each side as these panels are designed to "throw" the light in a particular direction and will need to be reassembled into the proper position.
4. Remove all the existing hardware within the Traditionaire fixture and dispose properly. This includes any lamp sockets, ballast trays, ballasts, brackets, etc. If the original fixture has a photocontrol, simply pull the photocontrol leads from the terminal block (do not cut these terminals as they can be reused).
5. Make sure the service leads to the fixture are pulled through the pole and into the wiring compartment of the housing with approximately 8" of extra length for making necessary connections to the LED Engine.
6. Screw four (4) hex washer head screws into the mounting bosses in the housing. Do not tighten fully. **(FIG. 4)**
7. Place the four (4) central keyhole shaped slots located in the mounting plate over the hex washer head screws and slide the mounting plate diagonally until the plate locks into place **(Fig 5A)**. Make sure no wires (including the service feeds) are trapped between the mounting plate and the screw bosses in the housing.
8. Tighten the four (4) hex washer head screws.
9. Screw the surge module into the mounting plate. **(FIG. 5B)**
10. Screw the terminal block attachment plate to the mounting plate using two (2) hex washer head screws. **(FIG. 6)**
11. Connect service leads to the appropriate position within the terminal block (see FIG 2). Black (HOT) service lead should connect to L1 position. White (neutral) service lead should connect to the N position. Green (ground) service lead should connect to the L2 position.
12. Mate the 2nd wire cover to the first wire cover about the center stanchion. Secure the wire covers to the housing base with two (2) hex head screws. **(FIG. 7)**
13. Replace the acrylic panels to their original positions and close the cover.
14. Tighten the two (2) captive cover retaining screws.
15. The fixture is now ready to energize.

FIG. 4

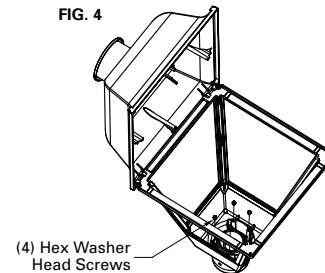


FIG. 5A

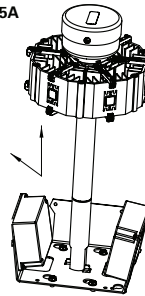


FIG. 5B

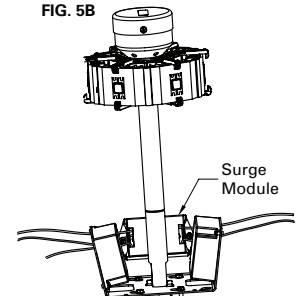


FIG. 6

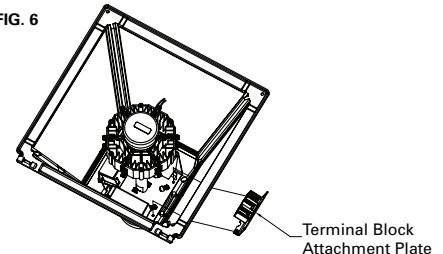
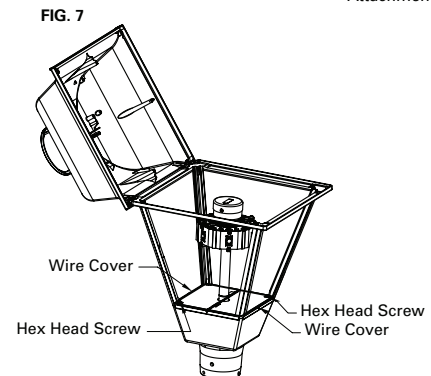


FIG. 7



These instructions do not claim to cover all details or variations in the equipment, procedure, or process described, nor to provide directions for meeting every possible contingency during installation, operation or maintenance. When additional information is desired to satisfy a problem not covered sufficiently for user's purpose, please contact your nearest representative. **NOTE:** Specifications and dimensions subject to change without notice.